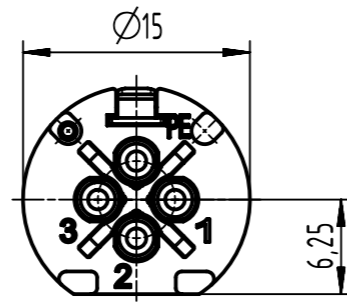
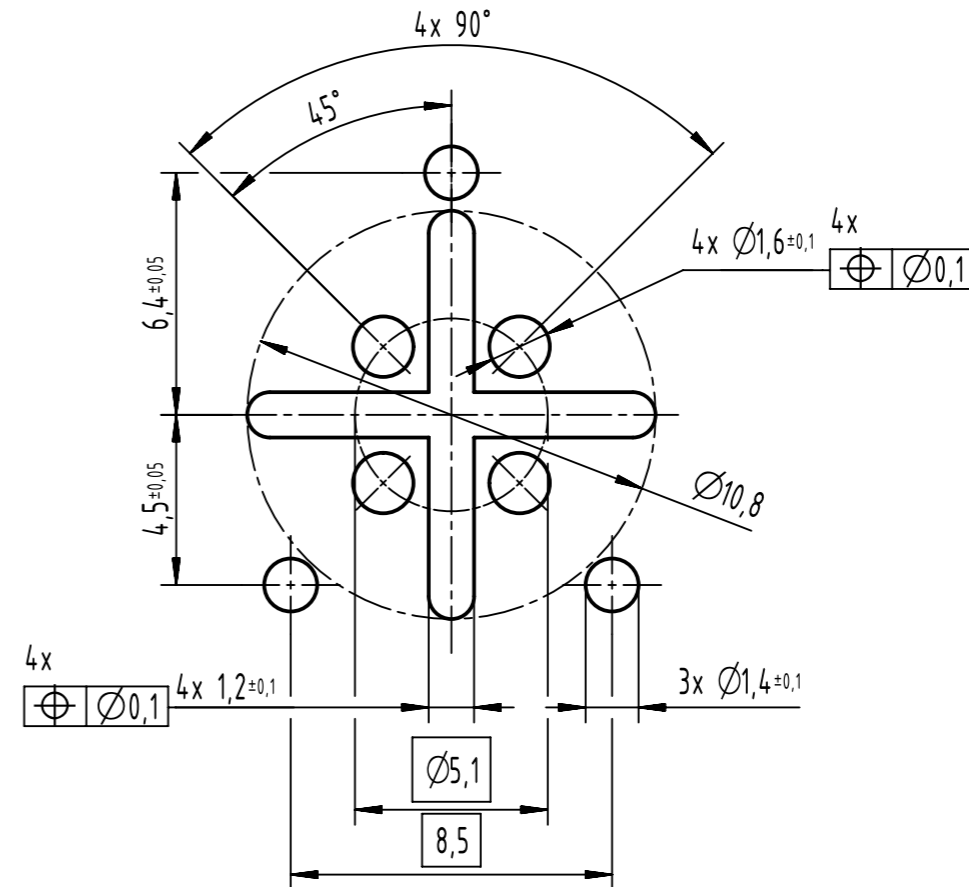


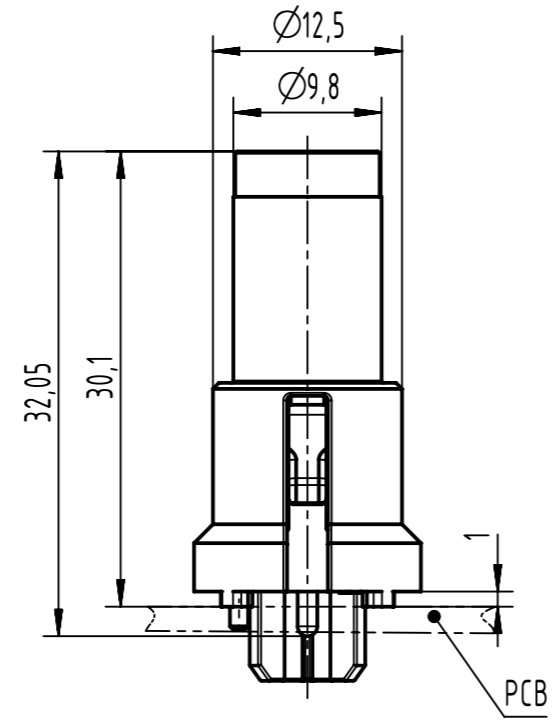
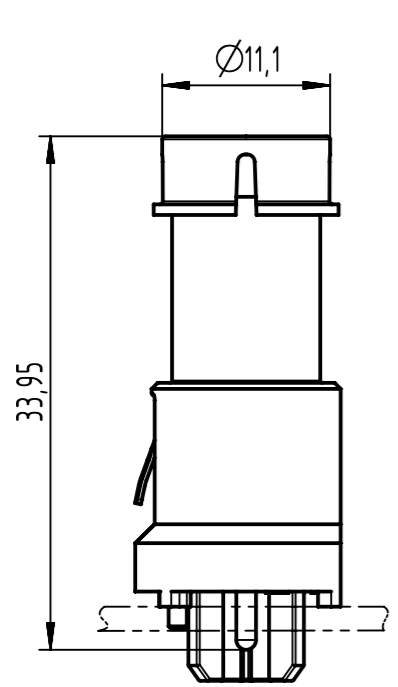
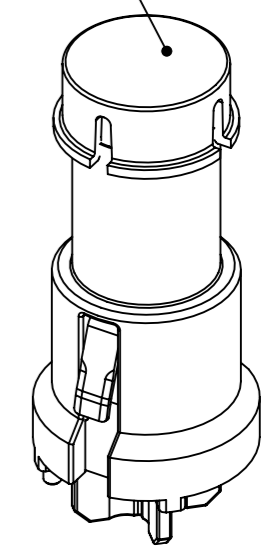
view without pick and place cap



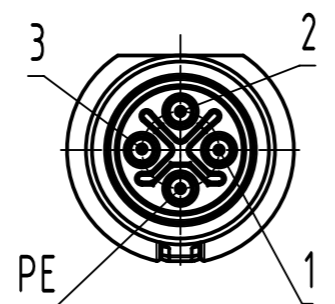
recommended PCB-layout
(5:1)



pick & place cap



contact face based on
IEC 610776-2-111



- recommended PCB: 1,6mm
- 60 pcs. tray package

	All rights reserved Department EL PD	All Dimensions in mm Original Size DIN A3		Scale 2:1	Free size tol.	Ref. Sub.
		Created by 402918	Inspected by MICLAUS	Standardisation ROEBEN	Date 2021-12-06	State Final Release
HARTING D-32339 Espelkamp		Title M12-PCB-THR-2PC-4P-SCOD-M-STR-SHLD			Doc-Key / ECM-Nr. 100793146/UGD/011/D 50000207442	
		Type TB	Number 21033091403		Rev. D	Page 1/1