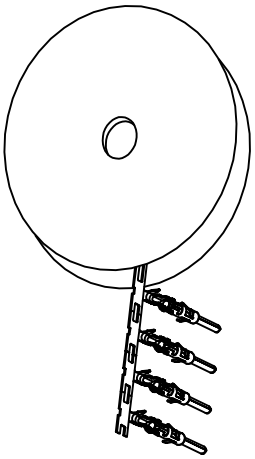


REVISIONS				
REV	ECO	DESCRIPTION	DATE	BY APPR
A1	-	RELEASED DRAWING	Jul-16-18	Flan Tommy



CONTACT ORIENTATION ON ROLL(3000PCS/COIL)

NOTES : (UNLESS OTHERWISE SPECIFIED)  
 1. MATERIAL :

- 1.1. CONTACT BODY : COPPER ALLOY.
- 1.2. OUTER SPRING : STAINLESS STEEL.

2. SPECIFICATIONS :

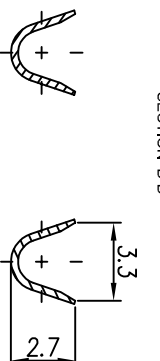
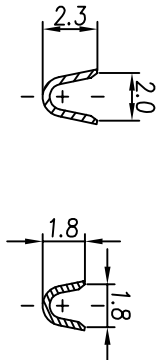
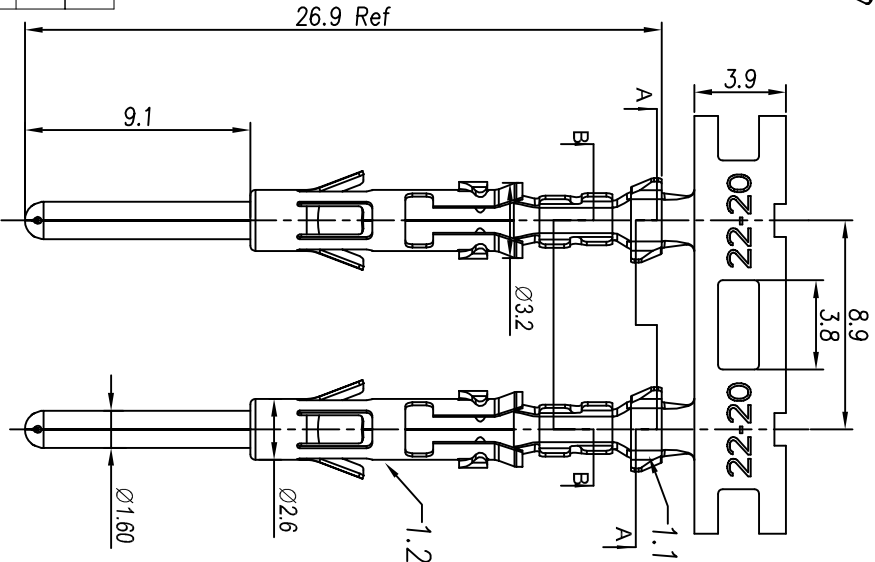
- 2.1 CURRENT RATING : 13A MAX.
- 2.2 TERMINATION TYPE : CRIMPING.
- 2.3 WIRE RANGE : 22~20AWG.
- 2.4 WIRE INSULATION DIA(MAX) :  $\phi$ 2.5mm.

3. RoHS COMPLIANT.

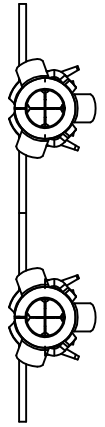
4. ALL DIMENSIONS ARE FOR REFERENCE USE ONLY.

5. AVAILABLE TOOLS :

- 5.1 HAND CRIMPER : MFX-3954.
- 5.2 CRIMP APPLICATOR : MFX-3957.
- 5.3 EXTRACTION TOOL : QXRT16.



P/N	CONTACT PLATING(MATING AREA)
SP20M2T	TIN PLATING OVER NICKEL.
SP20M2N	NICKEL PLATING OVER COPPERIZE.
SP20M2F	GOLD FLASH PLATING OVER NICKEL.
SP20M2G5	5 $\mu$ "GOLD PLATING OVER NICKEL.
SP20M2G10	10 $\mu$ "GOLD PLATING OVER NICKEL.
SP20M2G15	15 $\mu$ "GOLD PLATING OVER NICKEL.
SP20M2G30	30 $\mu$ "GOLD PLATING OVER NICKEL.



QUANTITY	PART NUMBER	DESCRIPTION	ITEM
<b>MATERIALS LIST</b>			
UNLESS OTHERWISE SPECIFIED 1) All dimensions are in millimeters. 2) Tolerances are as follows: 1 PL DEC 20.30 Fractions .1" <sup>1/4</sup> 3 PL DEC 20.08 Fractions .1" <sup>1/4</sup> 3) Note reference = $\triangle$			
SIGNATURES		DATE	
DRAWN: Flan	DATE: Jul-16-18	DESIGNED: Tom	DATE: Jul-16-18
ENGINEER: Tom	DATE: Jul-16-18	APPROVAL: Tom	DATE: Jul-16-18
CUSTOMER: Tom		DATE: Jul-16-18	
THIS DRAWING IS SUBJECT TO SPECIFICATIONS AND PERFORMANCE DATA OF THE ORIGINAL CORPORATION. NO PARTS OF REPRODUCTION ARE ALLOWED. ALL MANUFACTURING VARIATIONS.			
ECO-MATE PIN CONTACT. STAMPED.22-20AWG.SIZE 16		<b>Amphenol</b> Sine Systems - www.amphenol-sine.com 44724 Morley Drive Clinton Township, MI 48036	
SCALE: NONE	TYPE: B	DWG NO: SP20M2XX	REVISION: A1
SHEET: 1	OF: 1		