



# 921.2-927 MHz Cavity Bandpass Filter

## Part Number: AE924B11660



**ANATECH ELECTRONICS INC**  
RF & Microwave Filters & Products

### Electrical specifications

**Center frequency:** 924.1 MHz  
**1 dB Passband:** 921.2-927 MHz  
**Insertion loss @CF:** 1.5 dB Max.  
**Return loss:** 16 dB Min.  
**Rejection Frequency:** 75 dB Min. @ CF +/-20 MHz  
**Power Handling:** 20 Watts

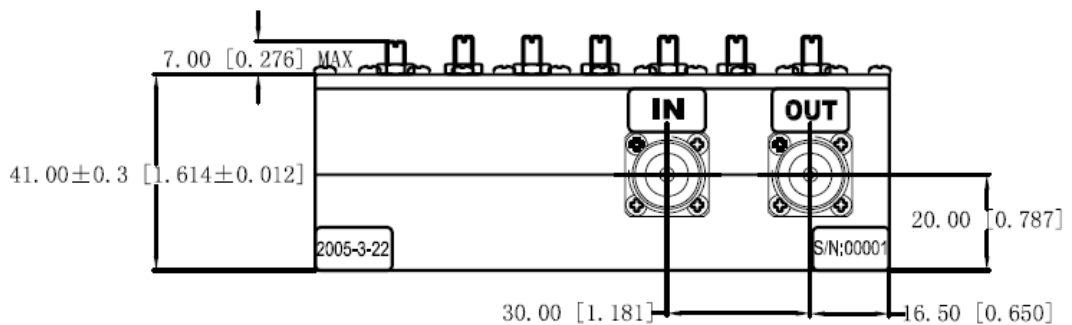
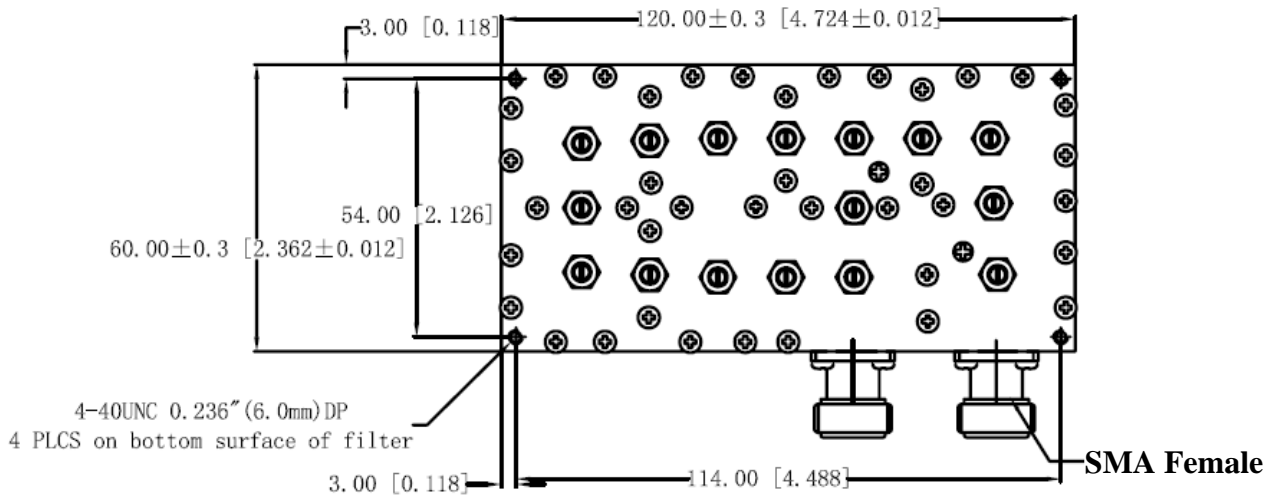
### Mechanical

**Mounting Method:** Threaded Mounting Holes  
**Connector Type:** SMA Female  
**Dimensions:** 4.72" x 2.36" x 1.89" in

### Environmental

**Operating Temperature:** -45 to +85° C  
**Storage Temperature:** -55 to +95° C  
**Shock:** 20 G. 11ms  
**Vibration:** 20 G. 5 to 200 Hz

### Outline Drawing:



Tolerance: +/-0.01 inches [+/-0.3mm]

Angles: +/-1 Deg.

\*Tolerance as shown unless otherwise specified in the datasheet electrical specification tables above.

\*When max dimensions are called out the above tolerances do not apply as long as it is under the max call out.