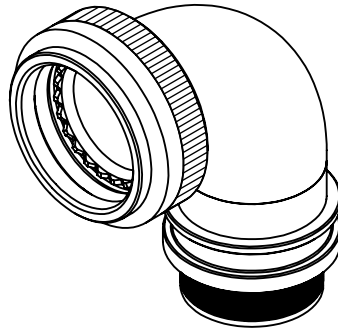


REVISIONS



TXR40AB9W-1608AI

SERIES _____
 TXR: RING INCLUDED
 (SEE RING OPTION)
 TX: RING NOT INCLUDED
 CONNECTOR INTERFACE _____
 MATERIAL _____
 FINISH _____
 ANGLE _____
 DASH NUMBER (TABLE 1) _____
 ENTRY SIZE (TABLE 2) _____
 RING OPTION _____
 AI - TO SUIT SINGLE BRAID
 BI - TO SUIT DOUBLE BRAID
 FOR TX, LEAVE BLANK

NOTES:


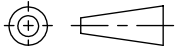
1. THIS PRODUCT IS DESIGNED TO TERMINATE A BRAIDED CABLE SHIELD AND A HEAT SHRINKABLE LIPPED BOOT TO A CONNECTOR.
2. THE INFORMATION CONTAINED ON THIS DRAWING SUPERSEDES THAT SHOWN IN SS-CH00-0250-008
3. SEE DRAWING TR FOR DETAIL ON TINEL-LOCK RING, RINGS ARE DESIGNED TO BE HEATED ELECTRICALLY, ALL RINGS ARE MARKED WITH THERMOCHROMIC PAINT WHICH CHANGES COLOUR WHEN INSTALLATION TEMPERATURE IS REACHED.
4. BACKSHELL TO BE PERMANENTLY MARKED/ BAGGED AND LABELLED WITH PART NUMBER AND BATCH NUMBER. (e.g. TXR40AB9W-1608 P123456)
5. AVAILABLE ENTRY SIZES ARE SHOWN IN TABLE 1. FOR ALTERNATIVE ENTRY SIZES, PLEASE CONTACT DESIGN AUTHORITY.
6. BACKSHELL MATES TO MIL-DTL-38999 SERIES III & IV - CLASS C, F, K AND W, D38999/20, /24, /26, /40, /46 AND /47 CONNECTORS AND WHEN MATED SHALL PROVIDE A WATER-TIGHT SEAL MEETING THE REQUIREMENTS OF MIL-C-85049, PARA. 3. 5. 7.

RELEASED FOR PUBLICATION

ALL RIGHTS RESERVED.

THIS DRAWING IS UNPUBLISHED.

© COPYRIGHT 20 BY

DIMENSIONS: MILLIMETERS	DWN: C.WALLACE 14/04/2020	MATERIAL: SEE SS0076	FINISH: SEE SS0076				
	CHK: R.STYLES 17/04/2020	 TE Connectivity					
TOLERANCES UNLESS OTHERWISE SPECIFIED:	APVD: M.PAUL 14/04/2020			PART NUMBER:	TXR40(9W) SERIES		
GENERAL TOL LINEAR ±0.25MM ANGULAR ±1°	PRODUCT SPEC:	NAME:					
	APPLICATION SPEC:	TINEL RING BACKSHELL, SWEEP ELBOW 90DEG					
	WEIGHT:	SIZE	CAGE CODE	DRAWING NO	RESTRICTED TO		
	CUSTOMER DRAWING	A4	U5792	©-P46682			
		SCALE	1:1	SHEET	1 OF 2	REV	AB

REVISIONS

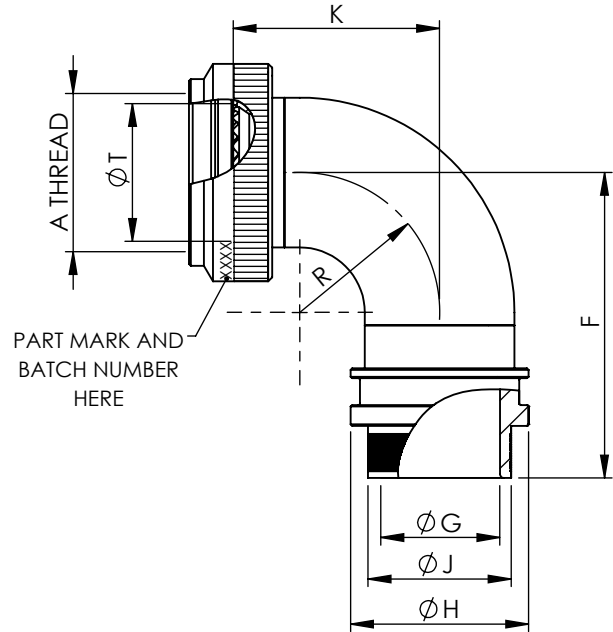
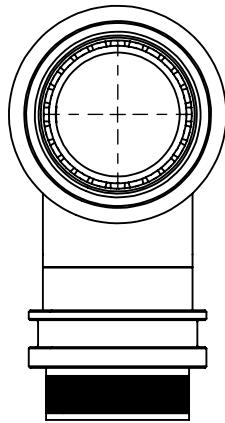


TABLE 1

ORDER NUMBER	A THREAD	ØB MAX	K MAX	F MAX	R REF.	ØT MIN	ENTRY SIZES
08	M12 x 1.0	18,0	19,2	31,9	9,0	6,7	04
10	M15 x 1.0	21,0	22,4	35,1	12,2	10,2	04, 05
12	M18 x 1.0	24,5	25,6	38,3	15,4	13,5	06, 07
14	M22 x 1.0	29,0	28,7	41,4	18,5	16,2	07, 08
16	M25 x 1.0	32,5	31,9	44,6	21,7	19,4	08, 10
18	M28 x 1.0	35,5	35,1	47,8	24,9	21,8	10, 12
20	M31 x 1.0	37,0	38,3	51,0	28,1	25,1	12, 14
22	M34 x 1.0	40,0	41,4	54,1	31,2	28,2	14, 16
24	M37 x 1.0	43,5	44,6	57,3	34,4	31,4	16, 18

TABLE 2




ENTRY SIZE	ØG MIN	ØJ	ØH +/- 0,3
04	6,35	9,49 +/-0,04	14,0
05	7,92	11,06 +/-0,04	15,5
06	9,53	12,66 +/-0,04	17,1
07	11,10	14,21 +/-0,07	18,7
08	12,70	15,81 +/-0,07	20,3
10	15,88	18,96 +/-0,08	23,5
12	19,05	22,14 +/-0,08	26,7
14	22,23	25,30 +/-0,08	29,8
16	25,40	28,48 +/-0,08	33,0
18	28,58	31,65 +/-0,08	36,2

RELEASED FOR PUBLICATION

ALL RIGHTS RESERVED.

THIS DRAWING IS UNPUBLISHED.

© COPYRIGHT 20 BY

DIMENSIONS: MILLIMETERS	DWN: C.WALLACE	14/04/2020	MATERIAL: SEE SS0076	FINISH: SEE SS0076				
	CHK: R.STYLES	17/04/2020	 TE Connectivity					
TOLERANCES UNLESS OTHERWISE SPECIFIED:	APVD: M.PAUL	14/04/2020			PART NUMBER:	TXR40(9W) SERIES		
GENERAL TOL LINEAR ±0,25MM ANGULAR ±1°	PRODUCT SPEC:	-	NAME:					
	APPLICATION SPEC:	-	TINEL RING BACKSHELL, SWEEP ELBOW 90DEG					
 	WEIGHT:	-	SIZE	CAGE CODE	DRAWING NO	RESTRICTED TO		
	CUSTOMER DRAWING	-	A4	U5792	©=P46682			
			SCALE	1:1	SHEET	2 OF 2	REV	AB