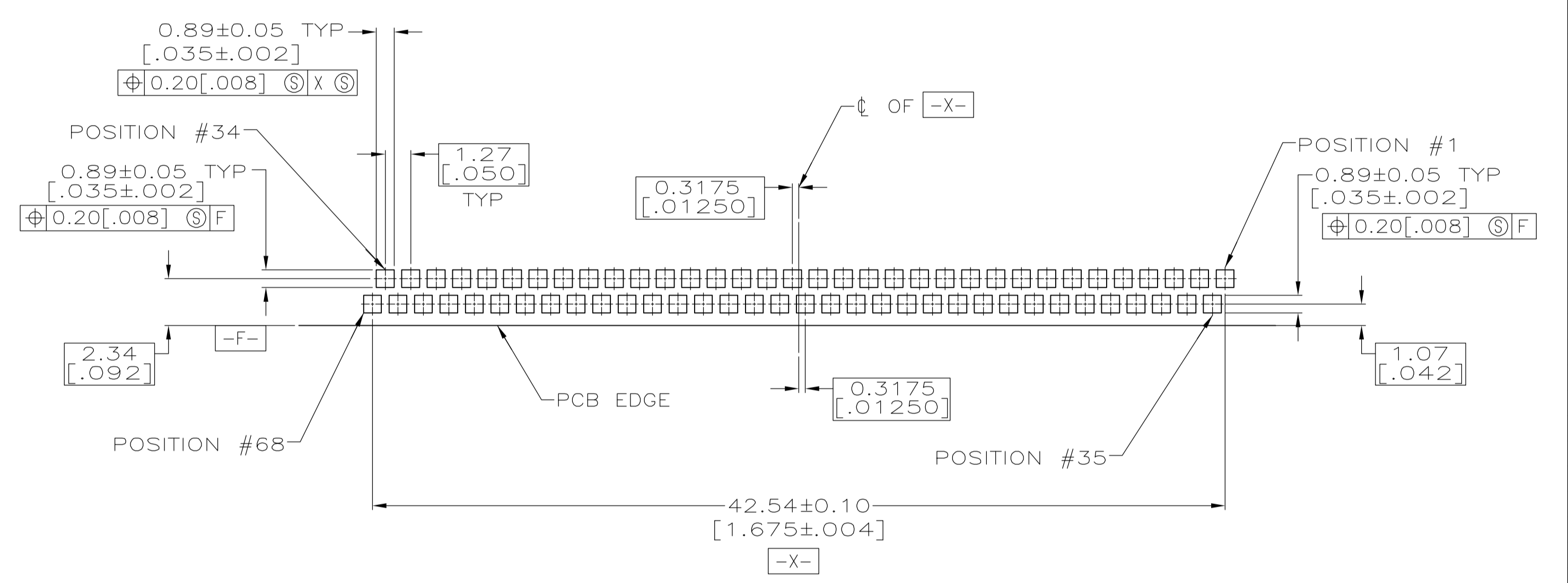
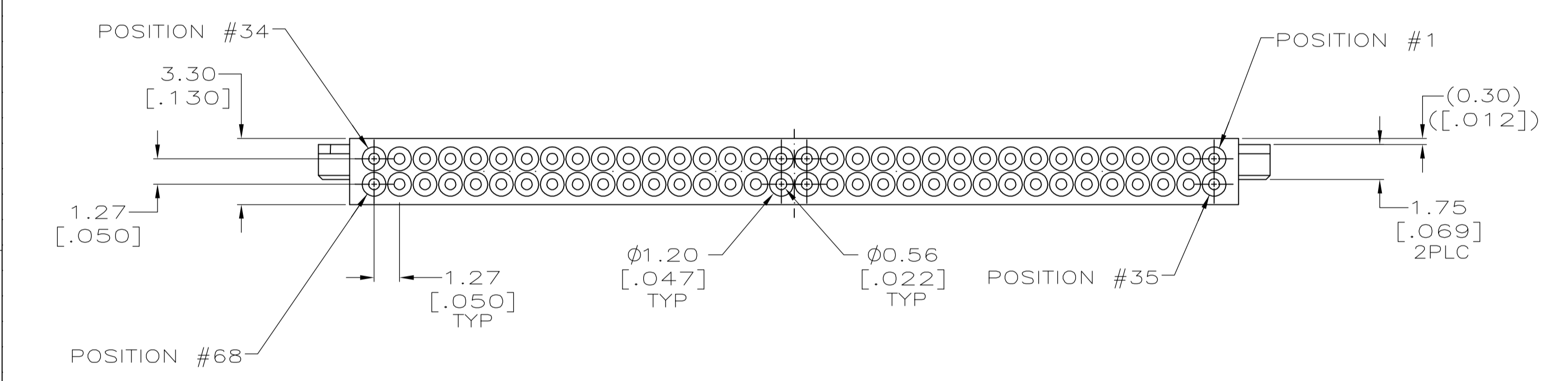
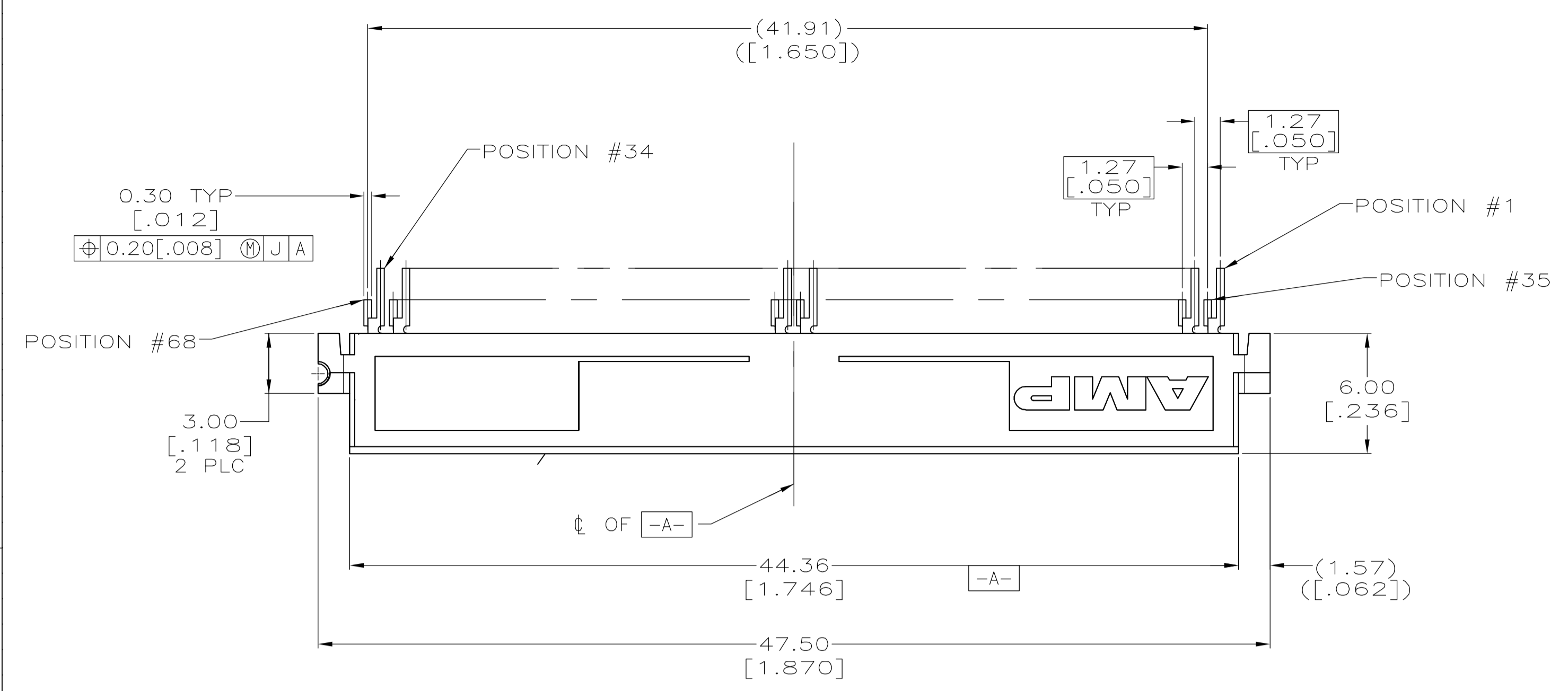
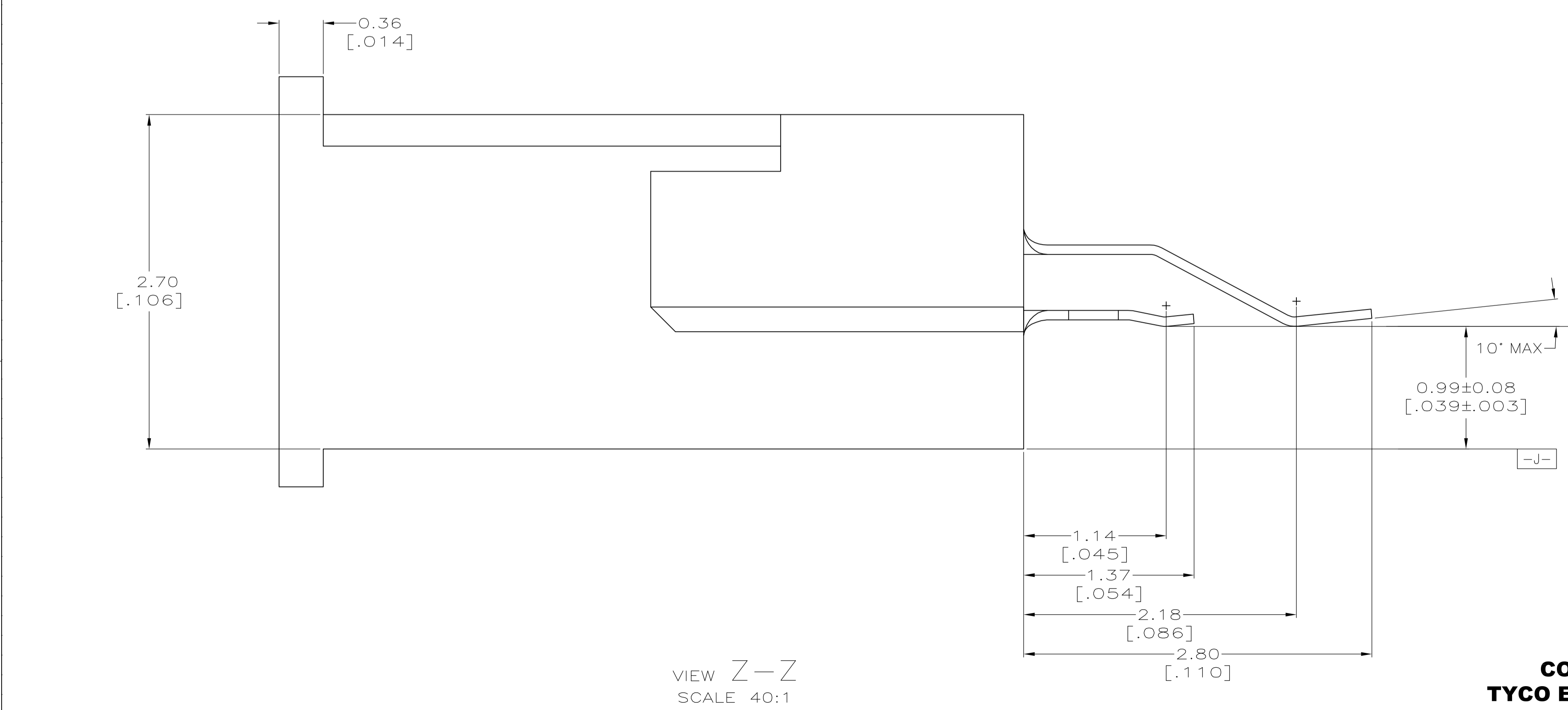


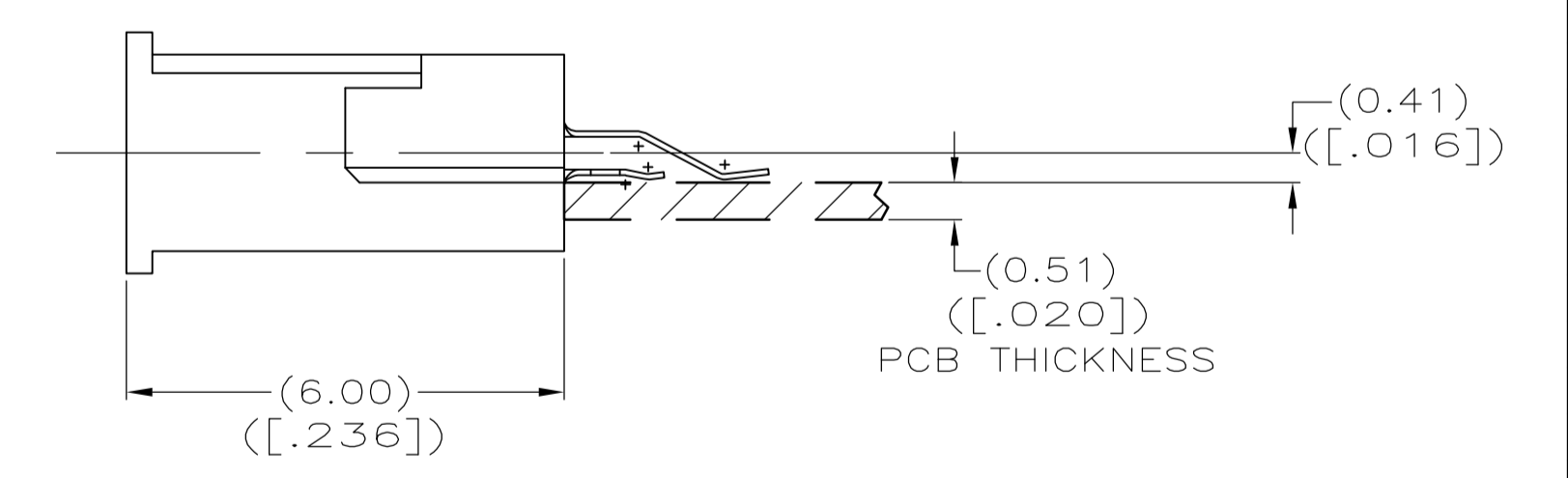
LOC		DIST		REVISIONS			
GP	00	REV	DATE	BY	APPV	DATE	BY
0		O	02-18-05	GA	JG	02-18-05	JG



RECOMMENDED PC BOARD LAYOUT



VIEW Z-Z
SCALE 40:1



PC BOARD LOCATION (REF)
SCALE: 10:1

- 1. HOUSING: LCP, GLASS FILLED, COLOR: BLACK.
- 2. CONTACT: BERYLLIUM COPPER.
- 3. DIMENSION IN REFERENCE TO LOWEST POINT OF EACH LEAD.
- 4. POINT OF CONTACT 2.3[.091] REF FROM MATING FACE.
- 5. APPLIES TO ALL SOLDER TAILS.
- 6. PACKAGED IN 56mm WIDE TAPE AND REEL.
- 7. CONTACT: 0.00076[.000030] MINIMUM GOLD ON MATING AREA, 0.00064[.000025] MINIMUM SEMI-BRIGHT NICKEL ON MATING AREA, 0.00254[.000100] MINIMUM MATTE TIN ON SOLDER TAIL, ALL OVER 0.00127[.000050] MINIMUM MATTE NICKEL.

68	5146322-2
POSITIONS	PART NUMBER

**COPYRIGHT 2005
 TYCO ELECTRONICS CORP
 ALL RIGHTS RESERVED**

THIS DRAWING IS A CONTROLLED DOCUMENT.		DWG G. ATTADIA - 02-18-05	APVD M. WALMSLEY	NAME RCPT ASSEMBLY, SURFACE MOUNT, 68 POS. 0.41mm/.016in OFFSET, AMP MEMORY CARD	RESTRICTED TO
DIMENSIONS: mm[INCHES]		TOLERANCES UNLESS OTHERWISE SPECIFIED:	0 PLC ± -	1 PLC ± -	2 PLC ± 0.13[.005]
MATERIAL		FINISH	ANGLES ± ± 30°	SIZE A1	WEIGHT
CUSTOMER DRAWING		SCALE 1:1	SHEET 1 of 1	REV 0	