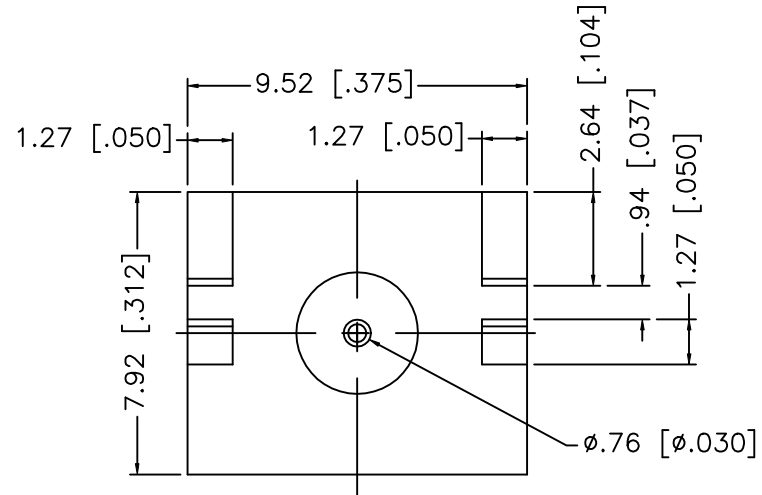
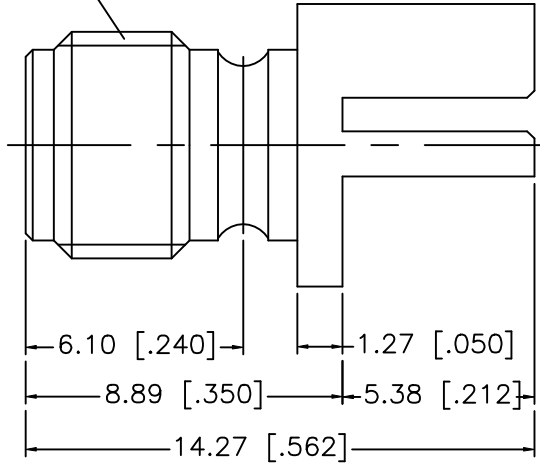


REV.	DATE	DESCRIPTION
NC	05/12/02	INITIAL RELEASE

1/4-36UNS-2A



8				UNLESS OTHERWISE SPECIFIED DIMENSIONS ARE IN MILLIMETERS DIMENSIONS IN [] ARE IN INCHES FOR CUSTOMER REFERENCE ONLY UNLESS OTHERWISE SPECIFIED TOLERANCES FOR INCHES ARE: .XXX = ± 0.005" .XX = ± 0.010" .X = ± 0.020"	APPROVALS	DATE	<h1 style="text-align: center;">Amphenol - Connex</h1> <p style="text-align: center;">CONNECTOR CORPORATION</p>					
7					DRAWN	G.R.S.				05/12/02		
6					CHECKED			TITLE SMA JACK END LAUNCH PC MOUNT (.032" BOARD)				
5					ISSUED							
4							SIZE	FSCM NO.	DWG. NO.	REV.		
3	CONTACT PIN	BER. COPPER	GOLD				A	99001	132343.DWG	NC		
2	INSULATOR	TEFLON	NATURAL									
1	BODY	BRASS	GOLD									
	DESCRIPTION	MATERIAL	FINISH	DO NOT SCALE DRAWING			SCALE	NA	PART NO.	132343	SHEET	1 OF 1