
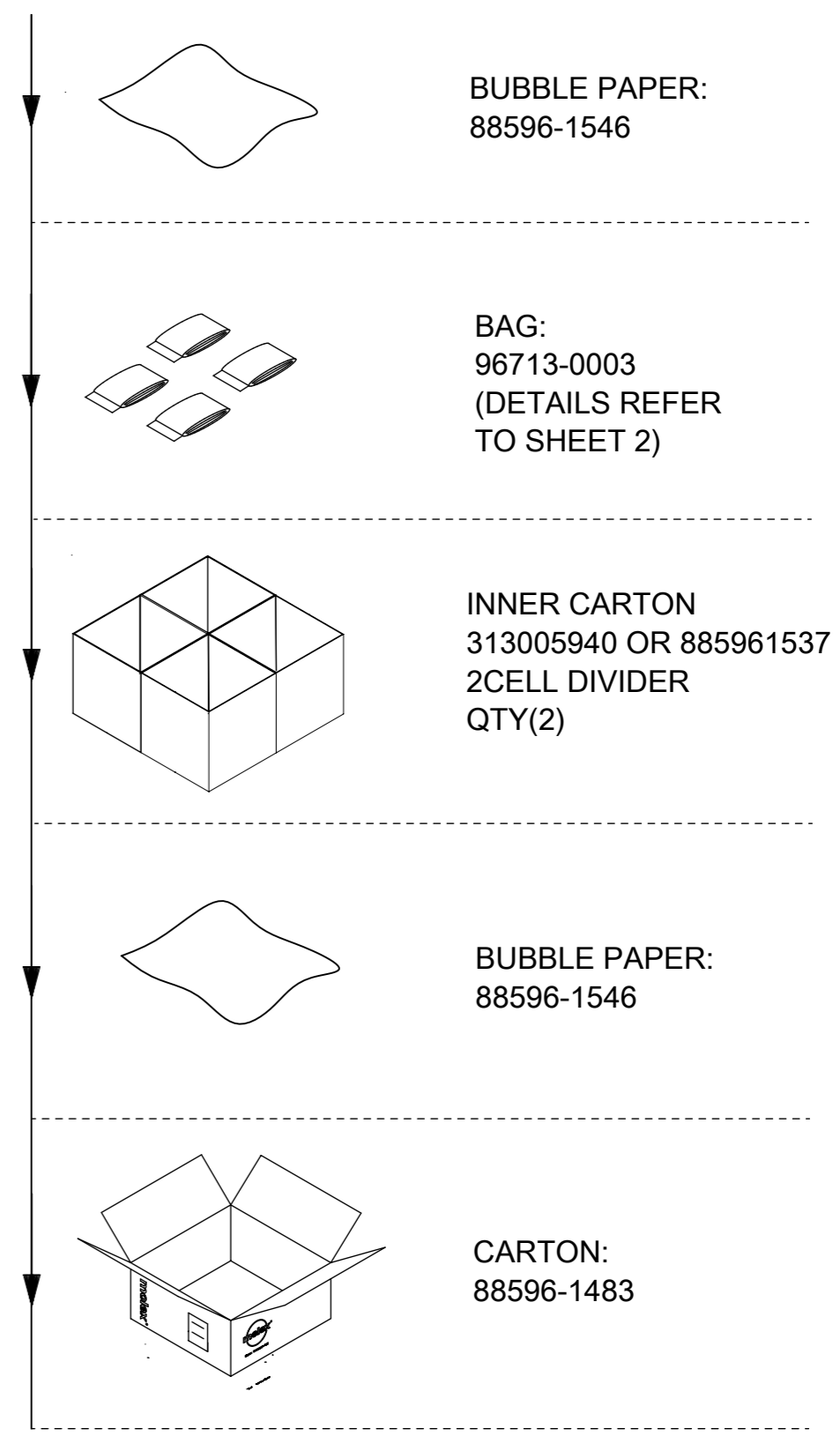


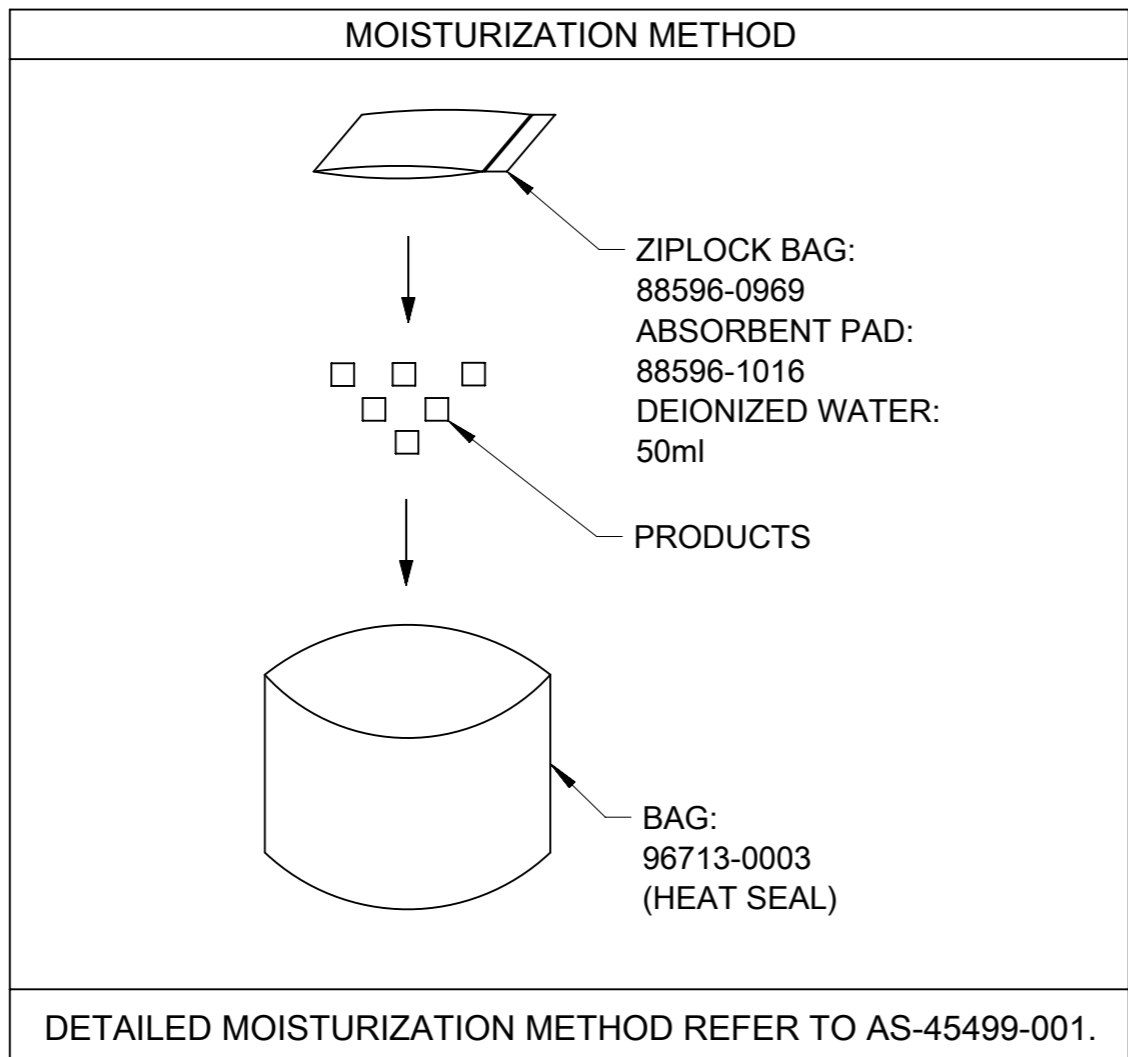
| PART NUMBER | CKTS | QUANTITY PER BAG | BAGS PER CARTON | PARTS PER CARTON (SPQ) | MOISTURIZATION METHOD  | PANEL LOCK |
|-------------|------|------------------|-----------------|------------------------|--|------------|
| 215922-0201 | 2 | 3000 | 4 | 12000 | NO MOISTURIZATION | WITHOUT |
| 215922-0401 | 4 | 2600 | 4 | 10400 | | |
| 215922-0601 | 6 | 2000 | 4 | 8000 | | |
| 215922-0801 | 8 | 1700 | 4 | 6800 | | |
| 215922-1001 | 10 | 1400 | 4 | 5600 | | |
| 215922-1201 | 12 | 1000 | 4 | 4000 | | |
| 215922-1401 | 14 | 800 | 4 | 3200 | | |
| 215922-1601 | 16 | 800 | 4 | 3200 | | |
| 215922-1801 | 18 | 600 | 4 | 2400 | | |
| 215922-2001 | 20 | 600 | 4 | 2400 | | |
| 215922-2201 | 22 | 600 | 4 | 2400 | | |
| 215922-2401 | 24 | 450 | 4 | 1800 | | |
| 215922-0200 | 2 | 2000 | 4 | 8000 | SEE SHEET 2 | WITH |
| 215922-0400 | 4 | 1800 | 4 | 7200 | | |
| 215922-0600 | 6 | 1600 | 4 | 6400 | | |
| 215922-0800 | 8 | 1100 | 4 | 4400 | | |
| 215922-1000 | 10 | 1000 | 4 | 4000 | | |
| 215922-1200 | 12 | 900 | 4 | 3600 | | |
| 215922-1400 | 14 | 800 | 4 | 3200 | | |
| 215922-1600 | 16 | 700 | 4 | 2800 | | |
| 215922-1800 | 18 | 600 | 4 | 2400 | | |
| 215922-2000 | 20 | 600 | 4 | 2400 | | |
| 215922-2200 | 22 | 400 | 4 | 1600 | | |
| 215922-2400 | 24 | 350 | 4 | 1400 | | |



TBD: NO PRODUCTION, TO BE ADDED AFTER BEING PRODUCED.

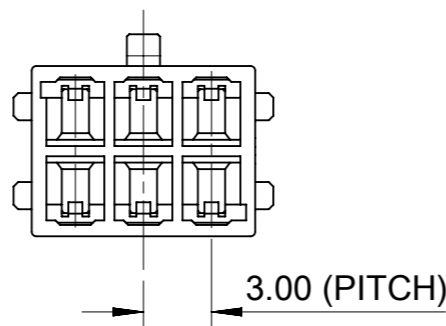
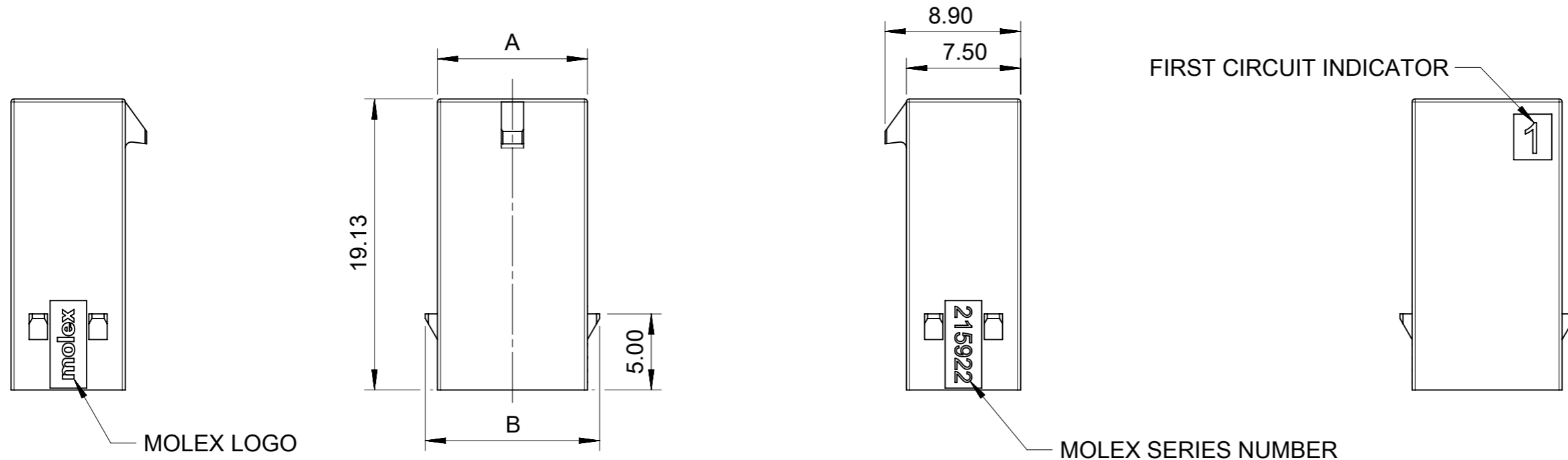
- NOTES:**
1. MOISTURIZATION METHOD DESCRIPTION REFER TO SHEET 2.
 2. STANDARD PACKAGE QUANTITY (SPQ) SEE ABOVE CHART.
 3. PACKAGE WAY FOLLOW RIGHT ILLUSTRATION.
 4. ALL PACKAGE MATERIAL AND PRODUCT COMPLIANT TO RoHS DIRECTIVE 2011/65/EU AND ELV DIRECTIVE 2000/53/EC.

| | | | | | | | |
|--|---|------------------------|--|--------|---|----------|--------------|
| FUNCTIONAL SYMBOLS | THIS DRAWING CONTAINS INFORMATION THAT IS PROPRIETARY TO MOLEX ELECTRONIC TECHNOLOGIES, LLC AND SHOULD NOT BE USED WITHOUT WRITTEN PERMISSION | | CURRENT REV DESC: | | molex | | |
| | mm | 1:1 | | | | | |
| DIVISIONAL SYMBOLS | GENERAL TOLERANCES (UNLESS SPECIFIED) | | EC NO: 725570 DRWN: GLLI CHK'D: XQZHANG APPR: XQZHANG INITIAL REVISION: DRWN: GLLI APPR: XQZHANG | | PACKING SPEC FOR MICRO-FIT PLUS WTW HSG | | |
| | 3 PLACES | ± 0.1 | | | 2022/08/29 | | |
| | 4 PLACES | ± | | | 2022/10/31 | | |
| | 2 PLACES | ± 0.3 | | | 2022/10/31 | | |
| | 1 PLACE | ± 0.5 | | | 2021/10/28 | | |
| DRAFT WHERE APPLICABLE MUST REMAIN WITHIN DIMENSIONS | | THIRD ANGLE PROJECTION | DRAWING | SERIES | MATERIAL NUMBER | CUSTOMER | SHEET NUMBER |
| | | | A3-SIZE | 215922 | 2159220000-PK | PSD 000 | B |



| | | | | | | | | | | | |
|---|---|---------------------------|--|--|--|----------|--|-----------------|--|--------------|--|
| THIS DRAWING CONTAINS INFORMATION THAT IS PROPRIETARY TO MOLEX ELECTRONIC TECHNOLOGIES, LLC AND SHOULD NOT BE USED WITHOUT WRITTEN PERMISSION | | | | | | | | | | | |
| FUNCTIONAL SYMBOLS | THIS DRAWING CONTAINS INFORMATION THAT IS PROPRIETARY TO MOLEX ELECTRONIC TECHNOLOGIES, LLC AND SHOULD NOT BE USED WITHOUT WRITTEN PERMISSION | CURRENT REV DESC: | | molex | | | | | | | |
| | DIMENSION UNITS: mm SCALE: 1:1 GENERAL TOLERANCES (UNLESS SPECIFIED) ANGULAR TOL ± ° | | | | | | | | | | |
| DIVISIONAL SYMBOLS | 4 PLACES ± | EC NO: 725570 | | PACKING SPEC FOR MICRO-FIT PLUS WTW HSG | | | | | | | |
| | 3 PLACES ± 0.1 | DRWN: GLLI 2022/08/29 | | | | | | | | | |
| | 2 PLACES ± 0.3 | CHK'D: XQZHANG 2022/10/31 | | | | | | | | | |
| | 1 PLACE ± 0.5 | APPR: XQZHANG 2022/10/31 | | | | | | | | | |
| | 0 PLACES ± | INITIAL REVISION: | | | | | | | | | |
| DRAFT WHERE APPLICABLE MUST REMAIN WITHIN DIMENSIONS | | DRWN: GLLI 2021/10/28 | | DOCUMENT NUMBER | | DOC TYPE | | DOC PART | | REVISION | |
| | | APPR: XQZHANG 2021/11/15 | | 2159220000-PK | | PSD | | 000 | | B | |
| | | THIRD ANGLE PROJECTION | | DRAWING | | SERIES | | MATERIAL NUMBER | | CUSTOMER | |
| | | | | A3-SIZE | | 215922 | | | | SHEET NUMBER | |
| | | | | | | | | | | 2 OF 2 | |

FREE HANGING PLUG PARTS

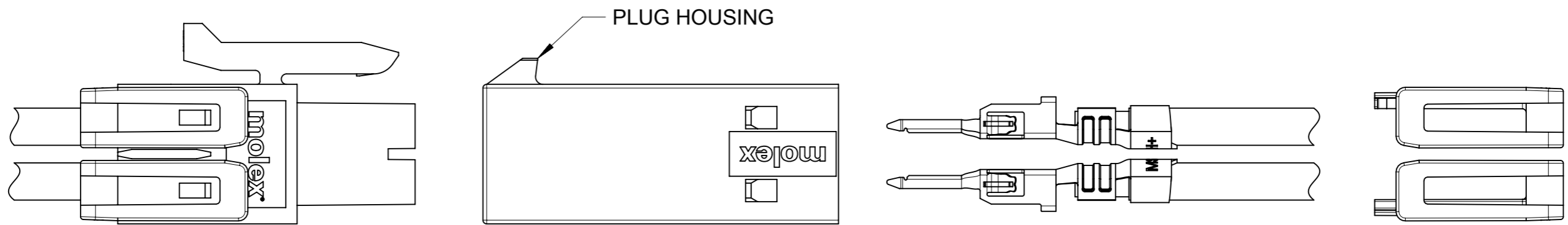
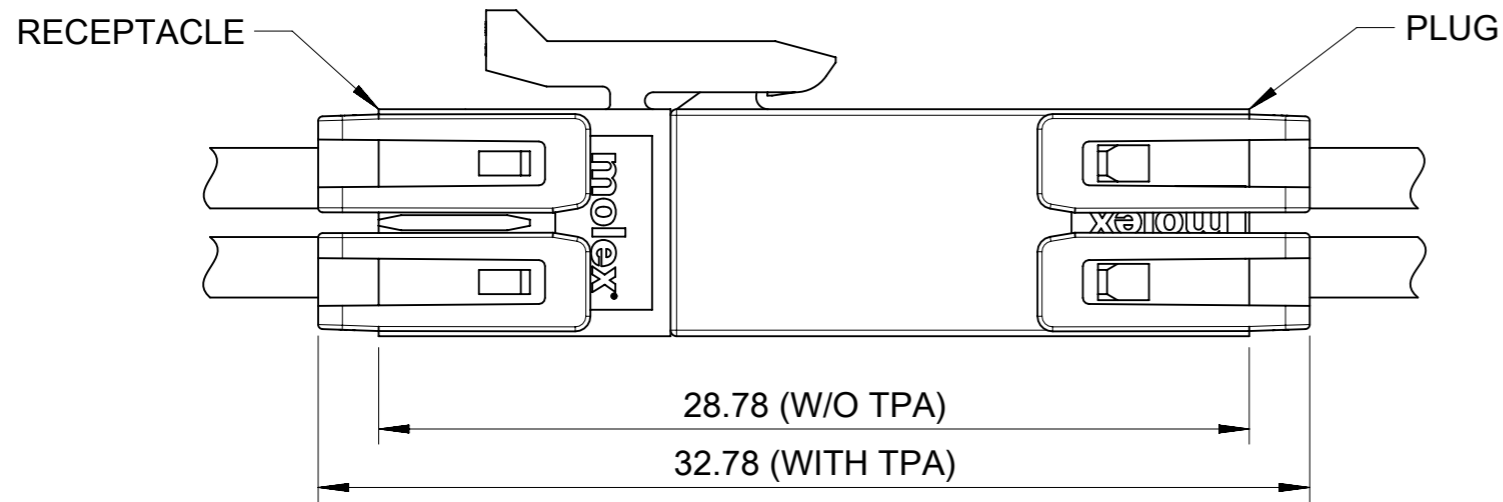


| PART No | DIM'A' | DIM'B' | CKT SIZE |
|-------------|--------|--------|----------|
| 215922-0201 | 3.85 | 5.45 | 2 |
| 215922-0401 | 6.85 | 8.45 | 4 |
| 215922-0601 | 9.85 | 11.45 | 6 |
| 215922-0801 | 12.85 | 14.45 | 8 |
| 215922-1001 | 15.85 | 17.45 | 10 |
| 215922-1201 | 18.85 | 20.45 | 12 |
| 215922-1401 | 21.85 | 23.45 | 14 |
| 215922-1601 | 24.85 | 26.45 | 16 |
| 215922-1801 | 27.85 | 29.45 | 18 |
| 215922-2001 | 30.85 | 32.45 | 20 |
| 215922-2201 | 33.85 | 35.45 | 22 |
| 215922-2401 | 36.85 | 38.45 | 24 |

- NOTES:
1. MATERIAL: PA66, 94V-0, BLACK.
 2. PRODUCT SPECIFICATION: 2159530000-PS.
 3. PACKAGE SPECIFICATION: 2159220000-PK.
 4. TO USE WITH TERMINAL OF 2015953-****.
 5. TO USE WITH TPA OF 206462-****.
 6. TO MATE WITH RECEPTACLE OF 206461-****.
 7. PARTS CONFORM TO CLASS 'B' REQUIREMENTS OF COSMETIC SPECIFICATION PS-45499-002.

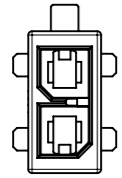
| | | | | | | | | | |
|--|---|---|---------------------------|--------------------------|---|----------------|----------|----------|--|
| FUNCTIONAL SYMBOLS | THIS DRAWING CONTAINS INFORMATION THAT IS PROPRIETARY TO MOLEX ELECTRONIC TECHNOLOGIES, LLC AND SHOULD NOT BE USED WITHOUT WRITTEN PERMISSION | | CURRENT REV DESC: | | | | | | |
| | $\nabla_A = 0$ $\nabla_F = 0$ $\nabla_Z = 0$ | DIMENSION UNITS: mm SCALE: 1:1 | | | | | | | GENERAL TOLERANCES (UNLESS SPECIFIED) ANGULAR TOL ± ° |
| DIVISIONAL SYMBOLS | 4 PLACES | ± | EC NO: 712744 | | PLUG HOUSING OF MICRO-FIT PLUS WTW DR POWER CONNECTOR PRODUCT CUSTOMER DRAWING | | | | |
| | 3 PLACES | ± | DRWN: GLLI 2022/07/01 | | | | | | |
| | 2 PLACES | ± 0.2 | CHK'D: XQZHANG 2022/07/05 | | | | | | |
| | 1 PLACE | ± 0.3 | APPR: XQZHANG 2022/07/05 | | | | | | |
| 0 PLACES | ± | INITIAL REVISION: | | DOCUMENT NUMBER | | DOC TYPE | DOC PART | REVISION | |
| DRAFT WHERE APPLICABLE MUST REMAIN WITHIN DIMENSIONS | | THIRD ANGLE PROJECTION | | DRWNO: GLLI 2021/01/29 | 2159220000-SD | | PSD | 000 | A1 |
| | | DRAWING | | APPR: XQZHANG 2021/11/15 | SERIES | | CUSTOMER | | SHEET NUMBER |
| | | A3-SIZE | | 215922 | | GENERAL MARKET | | 1 OF 6 | |

FREE HANGING PLUG PARTS

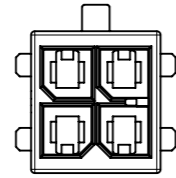


| | | | | | | | | | |
|--|---|----|-------------------|--------------------------|---------------------------|--------|-----------------|----------------|--------------|
| FUNCTIONAL SYMBOLS | THIS DRAWING CONTAINS INFORMATION THAT IS PROPRIETARY TO MOLEX ELECTRONIC TECHNOLOGIES, LLC AND SHOULD NOT BE USED WITHOUT WRITTEN PERMISSION | | CURRENT REV DESC: | | molex | | | | |
| | △/A = 0 | mm | | | | | | | SCALE 1:1 |
| DIVISIONAL SYMBOLS | GENERAL TOLERANCES (UNLESS SPECIFIED) | | | | EC NO: 712744 | | | | |
| | ANGULAR TOL ± ° | | | | DRWN: GLLI 2022/07/01 | | | | |
| | 4 PLACES ± | | | | CHK'D: XQZHANG 2022/07/05 | | | | |
| | 3 PLACES ± | | | | APPR: XQZHANG 2022/07/05 | | | | |
| | 2 PLACES ± 0.2 | | | | INITIAL REVISION: | | | | |
| 1 PLACE ± 0.3 | | | | DRWN: GLLI 2021/01/29 | | | | | |
| 0 PLACES ± | | | | APPR: XQZHANG 2021/11/15 | | | | | |
| DRAFT WHERE APPLICABLE MUST REMAIN WITHIN DIMENSIONS | | | | THIRD ANGLE PROJECTION | DRAWING | SERIES | MATERIAL NUMBER | CUSTOMER | SHEET NUMBER |
| | | | | ⊕ | A3-SIZE | 215922 | 2159220000-SD | GENERAL MARKET | 2 OF 6 |

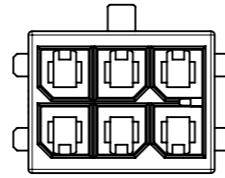
FREE HANGING PLUG PARTS



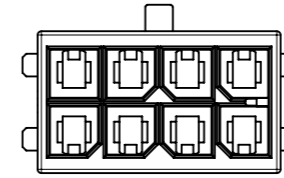
2 CKT



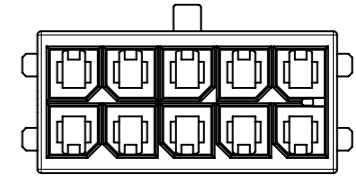
4 CKT



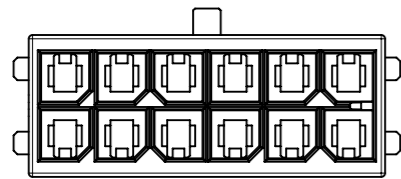
6 CKT



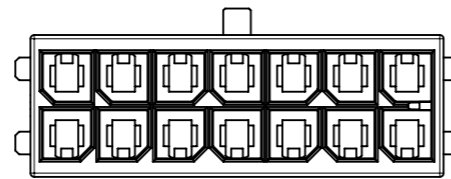
8 CKT



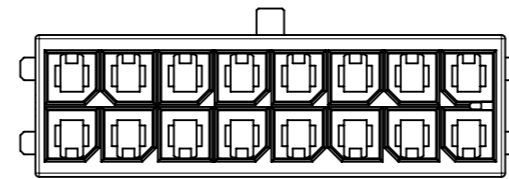
10 CKT



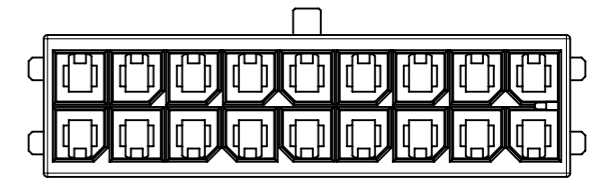
12 CKT



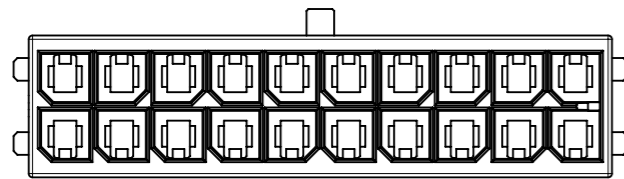
14 CKT



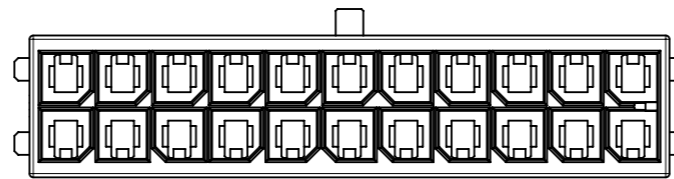
16 CKT



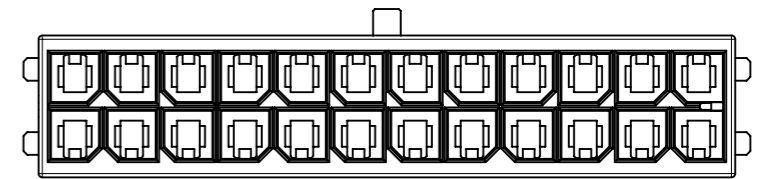
18 CKT



20 CKT



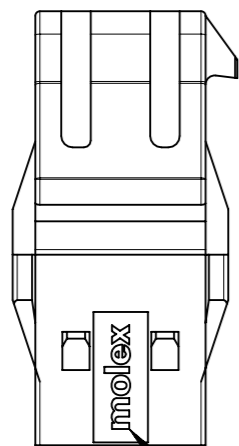
22 CKT



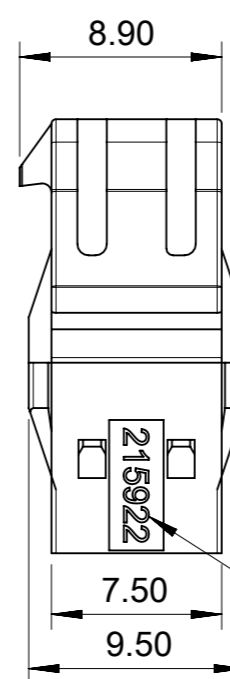
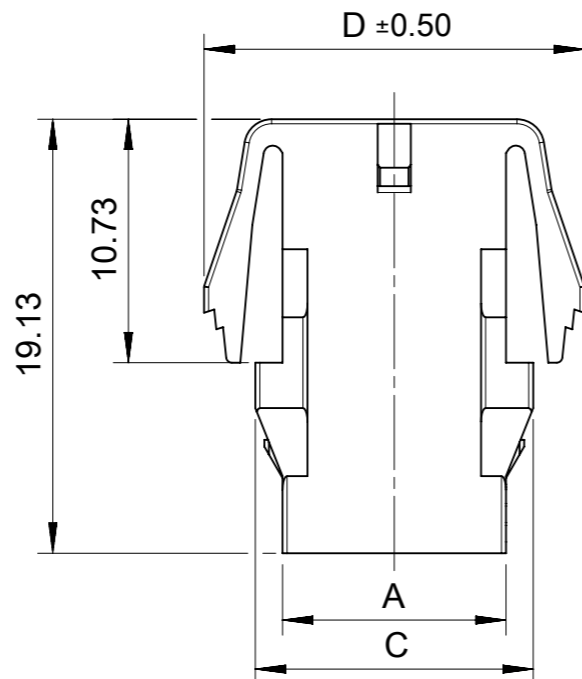
24 CKT

| | | | | | | | | | |
|--|---|------------------------------|---------------------------|-----------------|---|----------|--|--------------|---------------------|
| FUNCTIONAL SYMBOLS | THIS DRAWING CONTAINS INFORMATION THAT IS PROPRIETARY TO MOLEX ELECTRONIC TECHNOLOGIES, LLC AND SHOULD NOT BE USED WITHOUT WRITTEN PERMISSION | | CURRENT REV DESC: | | | | | | |
| | $\nabla_A = 0$ $\nabla_E = 0$ $\nabla_V = 0$ | DIMENSION UNITS mm | | | | | | | SCALE 1:1 |
| DIVISIONAL SYMBOLS | 4 PLACES | ± | EC NO: 712744 | | PLUG HOUSING OF MICRO-FIT PLUS WTW DR POWER CONNECTOR | | | | |
| | 3 PLACES | ± | DRWN: GLLI 2022/07/01 | | PRODUCT CUSTOMER DRAWING | | | | |
| | 2 PLACES | ± 0.2 | CHK'D: XQZHANG 2022/07/05 | | DOCUMENT NUMBER | | | | |
| | 1 PLACE | ± 0.3 | APPR: XQZHANG 2022/07/05 | | 2159220000-SD | | | | |
| 0 PLACES | ± | INITIAL REVISION: | | DOC TYPE | | | | | |
| DRAFT WHERE APPLICABLE MUST REMAIN WITHIN DIMENSIONS | | THIRD ANGLE PROJECTION | | DRAWING | | SERIES | | REVISION | |
| | | | | A3-SIZE | | 215922 | | A1 | |
| | | | | MATERIAL NUMBER | | CUSTOMER | | SHEET NUMBER | |
| | | | | GENERAL MARKET | | 3 OF 6 | | | |

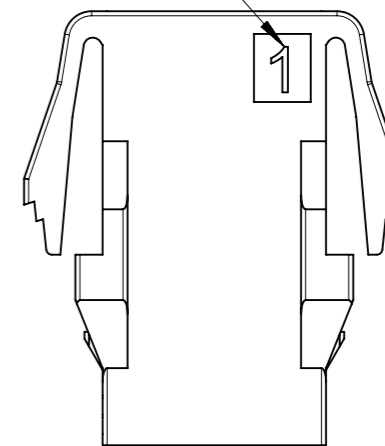
PANEL MOUNT PLUG PARTS



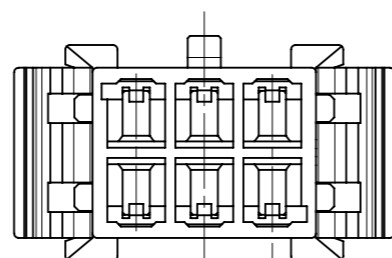
MOLEX LOGO



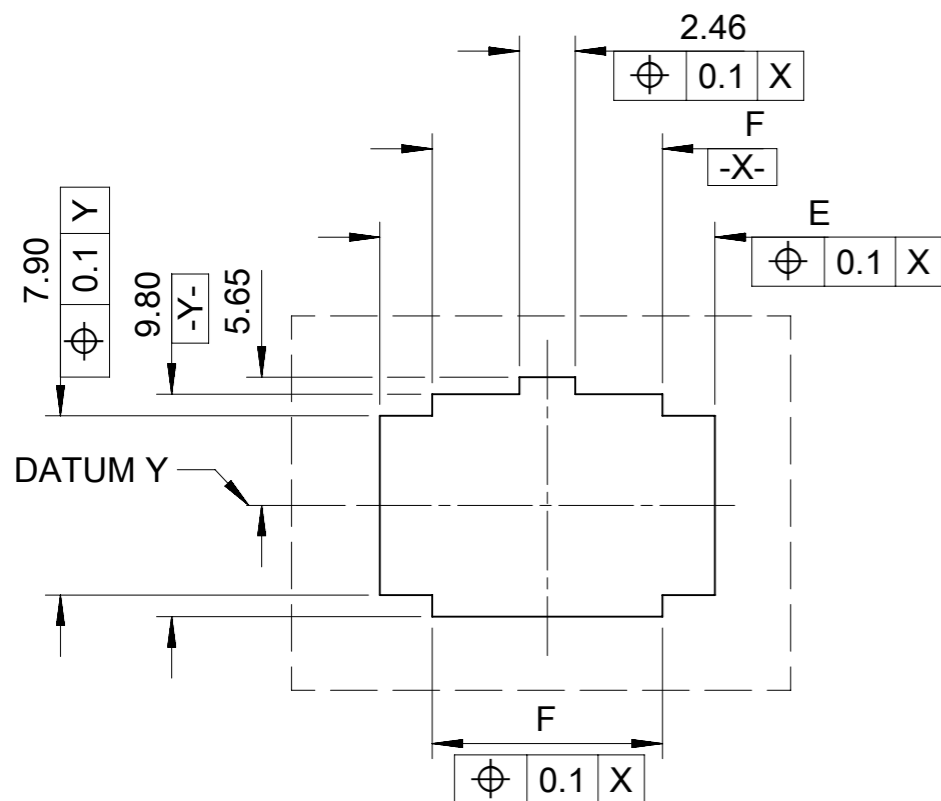
FIRST CIRCUIT INDICATOR



MOLEX SERIES NUMBER



3.00 (PITCH)

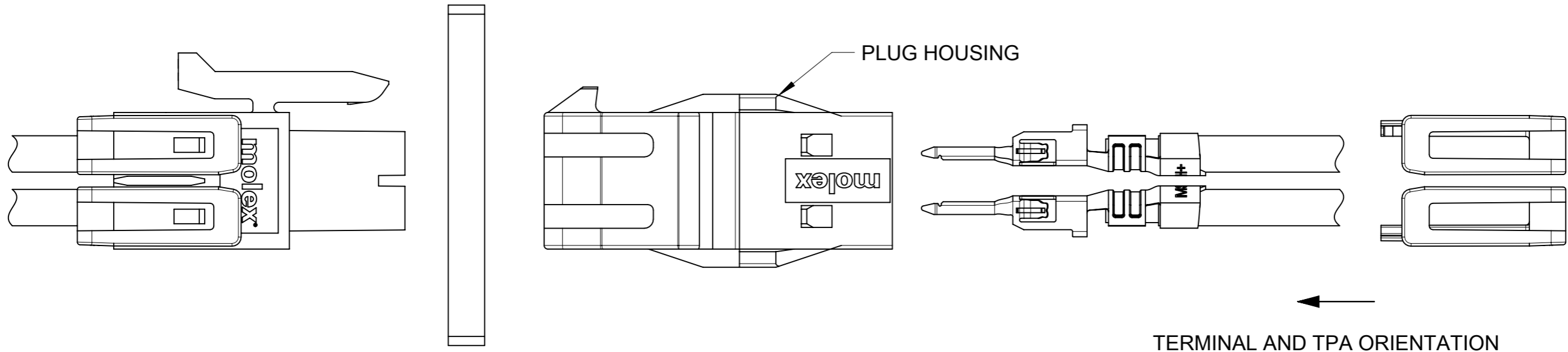
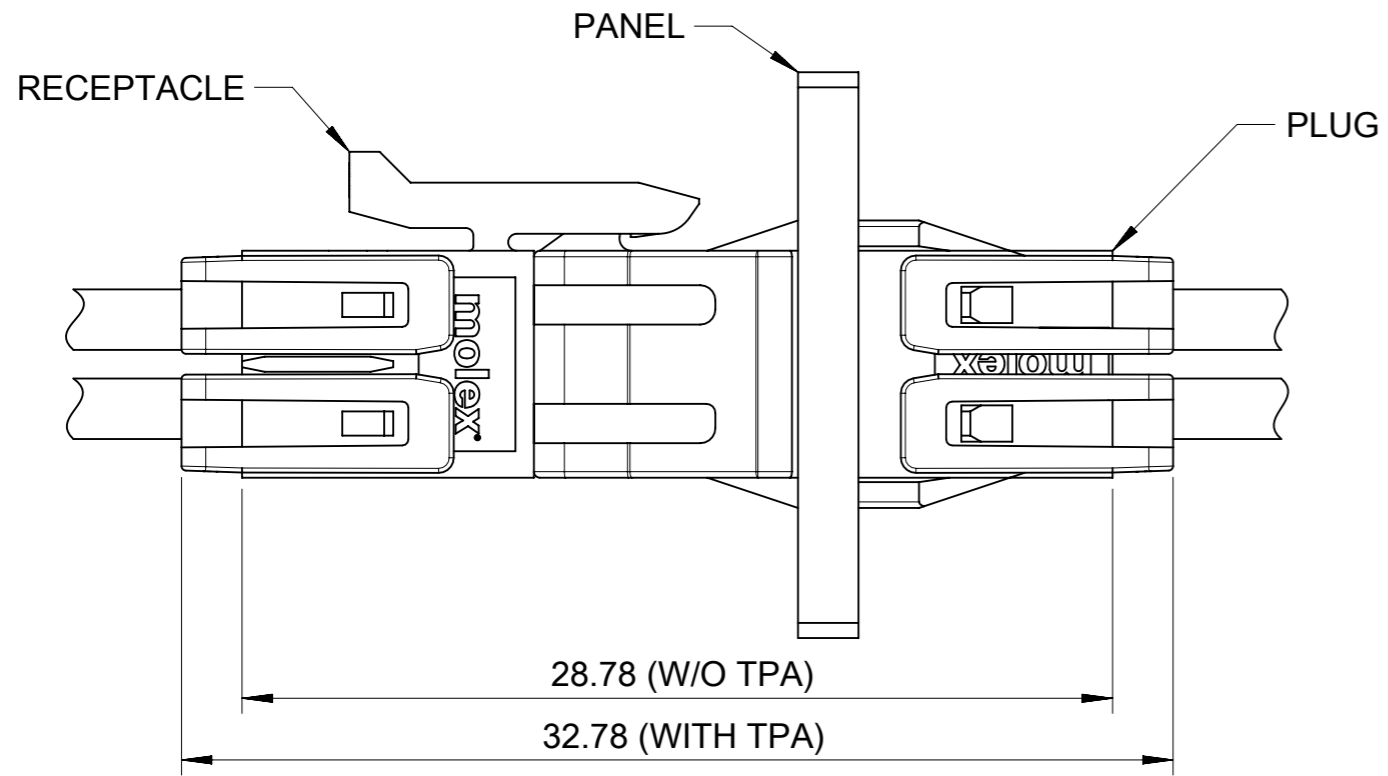


| PART No | DIM 'A' | DIM 'C' | DIM 'D' | DIM 'E' | DIM 'F' | CKT SIZE |
|-------------|---------|---------|---------|---------|---------|----------|
| 215922-0200 | 3.85 | 6.25 | 10.77 | 8.77 | 4.15 | 2 |
| 215922-0400 | 6.85 | 9.25 | 13.77 | 11.77 | 7.15 | 4 |
| 215922-0600 | 9.85 | 12.25 | 16.77 | 14.77 | 10.15 | 6 |
| 215922-0800 | 12.85 | 15.25 | 19.77 | 17.77 | 13.15 | 8 |
| 215922-1000 | 15.85 | 18.25 | 22.77 | 20.77 | 16.15 | 10 |
| 215922-1200 | 18.85 | 21.25 | 25.77 | 23.77 | 19.15 | 12 |
| 215922-1400 | 21.85 | 24.25 | 28.77 | 26.77 | 22.15 | 14 |
| 215922-1600 | 24.85 | 27.25 | 31.77 | 29.77 | 25.15 | 16 |
| 215922-1800 | 27.85 | 30.25 | 34.77 | 32.77 | 28.15 | 18 |
| 215922-2000 | 30.85 | 33.25 | 37.77 | 35.77 | 31.15 | 20 |
| 215922-2200 | 33.85 | 36.25 | 40.77 | 38.77 | 34.15 | 22 |
| 215922-2400 | 36.85 | 39.25 | 43.77 | 41.77 | 37.15 | 24 |

RECOMMENDED PANEL CUT OUT
(TOLERRANCE +/-0.05 THICKNESS=1.2~2.2MM)

| | | | | | | | |
|--|---|---------------------------|--------|--------------------------|----------------|--------------|----------|
| FUNCTIONAL SYMBOLS | THIS DRAWING CONTAINS INFORMATION THAT IS PROPRIETARY TO MOLEX ELECTRONIC TECHNOLOGIES, LLC AND SHOULD NOT BE USED WITHOUT WRITTEN PERMISSION | CURRENT REV DESC: | | molex | | | |
| | GENERAL TOLERANCES (UNLESS SPECIFIED) | EC NO: 712744 | | | | | |
| DIVISIONAL SYMBOLS | 4 PLACES ± | DRWN: GLLI 2022/07/01 | | PRODUCT CUSTOMER DRAWING | | | |
| | 3 PLACES ± | CHK'D: XQZHANG 2022/07/05 | | DOCUMENT NUMBER | | | |
| | 2 PLACES ± 0.2 | APPR: XQZHANG 2022/07/05 | | 2159220000-SD | | DOC TYPE | DOC PART |
| | 1 PLACE ± 0.3 | INITIAL REVISION: | | 2021/01/29 | | REVISION | |
| | 0 PLACES ± | DRWN: GLLI 2021/11/15 | | 2021/11/15 | | A1 | |
| DRAFT WHERE APPLICABLE MUST REMAIN WITHIN DIMENSIONS | THIRD ANGLE PROJECTION | DRAWING | SERIES | MATERIAL NUMBER | CUSTOMER | SHEET NUMBER | |
| | | A3-SIZE | 215922 | | GENERAL MARKET | 4 OF 6 | |

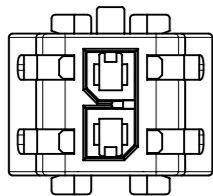
PANEL MOUNT PLUG PARTS



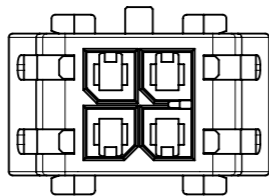
←
TERMINAL AND TPA ORIENTATION

| | | | | | | | | | | | | | | | | | |
|--|---|----|-------------------|------------------------|---------------------------|---------|--|---------------|-----------|---|--|----------|--|----------|--|----------|--|
| FUNCTIONAL SYMBOLS | THIS DRAWING CONTAINS INFORMATION THAT IS PROPRIETARY TO MOLEX ELECTRONIC TECHNOLOGIES, LLC AND SHOULD NOT BE USED WITHOUT WRITTEN PERMISSION | | CURRENT REV DESC: | | molex | | | | | | | | | | | | |
| | ▽A = 0 | mm | | | | | | | SCALE 1:1 | PLUG HOUSING OF MICRO-FIT PLUS WTW DR POWER CONNECTOR | | | | | | | |
| DIVISIONAL SYMBOLS | GENERAL TOLERANCES (UNLESS SPECIFIED) | | | | EC NO: 712744 | | | | | | | | | | | | |
| | ANGULAR TOL ± ° | | | | DRWN: GLLI 2022/07/01 | | | | | | | | | | | | |
| | 4 PLACES ± | | | | CHK'D: XQZHANG 2022/07/05 | | | | | | | | | | | | |
| | 2 PLACES ± 0.2 | | | | APPR: XQZHANG 2022/07/05 | | | | | | | | | | | | |
| | 1 PLACE ± 0.3 | | | | INITIAL REVISION: | | | | | | | | | | | | |
| 0 PLACES ± | | | | DRWN: GLLI 2021/01/29 | | | | | | | | | | | | | |
| DRAFT WHERE APPLICABLE MUST REMAIN WITHIN DIMENSIONS | | | | THIRD ANGLE PROJECTION | | DRAWING | | SERIES | | DOCUMENT NUMBER | | DOC TYPE | | DOC PART | | REVISION | |
| | | | | A3-SIZE | | 215922 | | 2159220000-SD | | PSD | | 000 | | A1 | | | |
| | | | | GENERAL MARKET | | 5 OF 6 | | | | | | | | | | | |

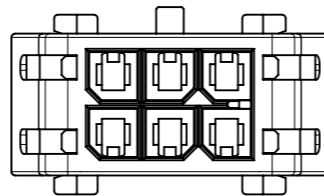
PANEL MOUNT PLUG PARTS



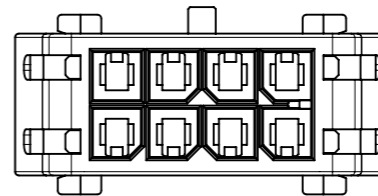
2 CKT



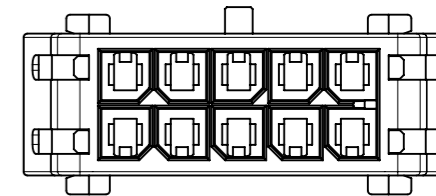
4 CKT



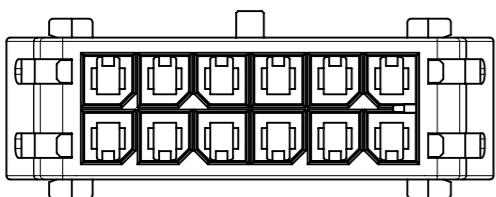
6 CKT



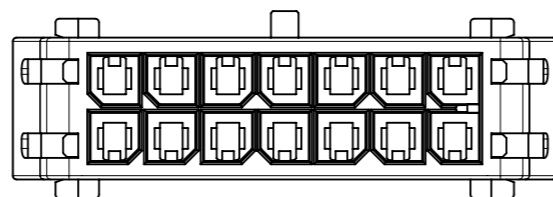
8 CKT



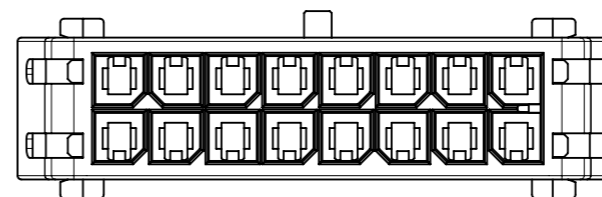
10 CKT



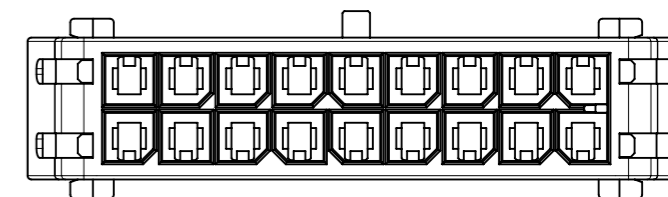
12 CKT



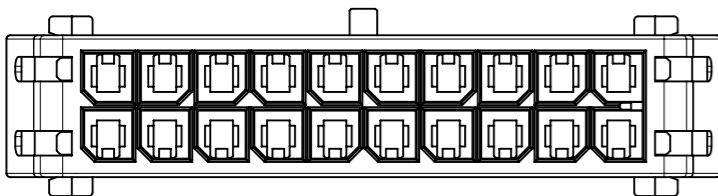
14 CKT



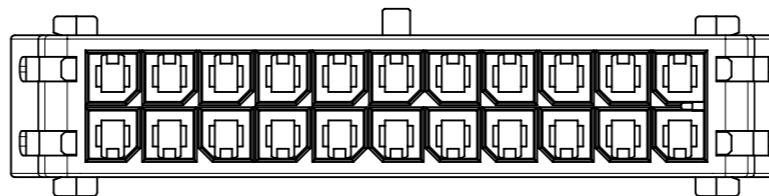
16 CKT



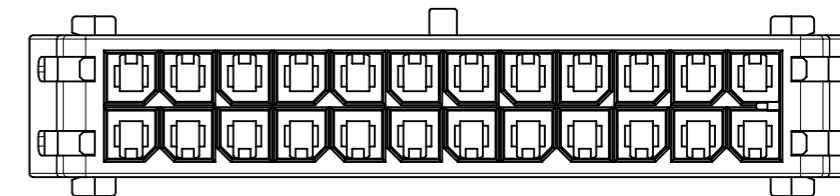
18 CKT



20 CKT



22 CKT



24 CKT

| | | | | | | | | | |
|--|---|--------------------------|---------------------------|---------|---|----------------|-----------------|--------------|----------|
| FUNCTIONAL SYMBOLS | THIS DRAWING CONTAINS INFORMATION THAT IS PROPRIETARY TO MOLEX ELECTRONIC TECHNOLOGIES, LLC AND SHOULD NOT BE USED WITHOUT WRITTEN PERMISSION | | CURRENT REV DESC: | | molex | | | | |
| | mm | 1:1 | | | | | | | |
| DIVISIONAL SYMBOLS | GENERAL TOLERANCES (UNLESS SPECIFIED) | | EC NO: 712744 | | PLUG HOUSING OF MICRO-FIT PLUS WTW DR POWER CONNECTOR | | | | |
| | ANGULAR TOL ± ° | | DRWN: GLLI 2022/07/01 | | PRODUCT CUSTOMER DRAWING | | | | |
| | 4 PLACES ± | | CHK'D: XQZHANG 2022/07/05 | | DOCUMENT NUMBER | | | | |
| | 3 PLACES ± | | APPR: XQZHANG 2022/07/05 | | 2159220000-SD | | PSD | 000 | A1 |
| | 2 PLACES ± 0.2 | | INITIAL REVISION: | | SERIES | | MATERIAL NUMBER | | CUSTOMER |
| 1 PLACE ± 0.3 | | DRWN: GLLI 2021/01/29 | | 215922 | | GENERAL MARKET | | SHEET NUMBER | |
| 0 PLACES ± | | APPR: XQZHANG 2021/11/15 | | | | | | 6 OF 6 | |
| DRAFT WHERE APPLICABLE MUST REMAIN WITHIN DIMENSIONS | | THIRD ANGLE PROJECTION | | DRAWING | A3-SIZE | | | | |