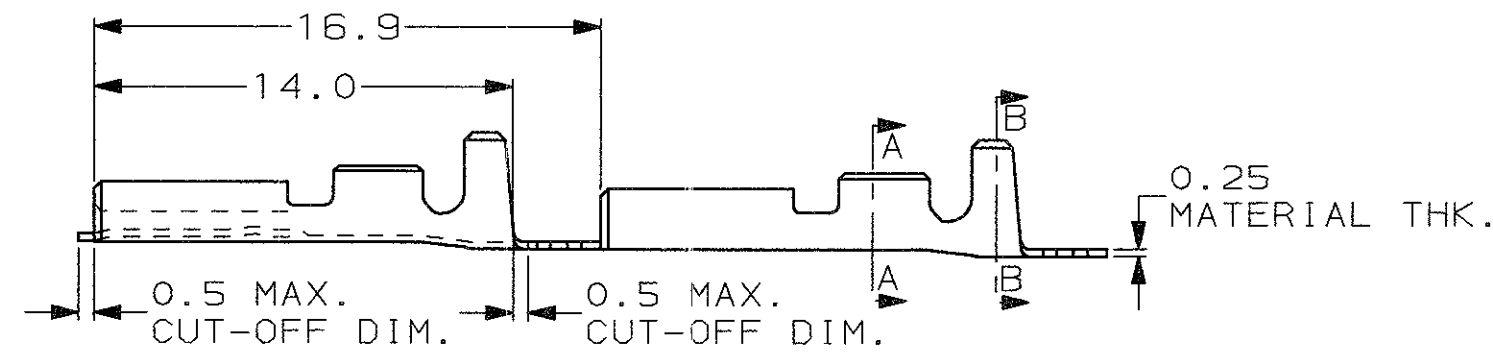
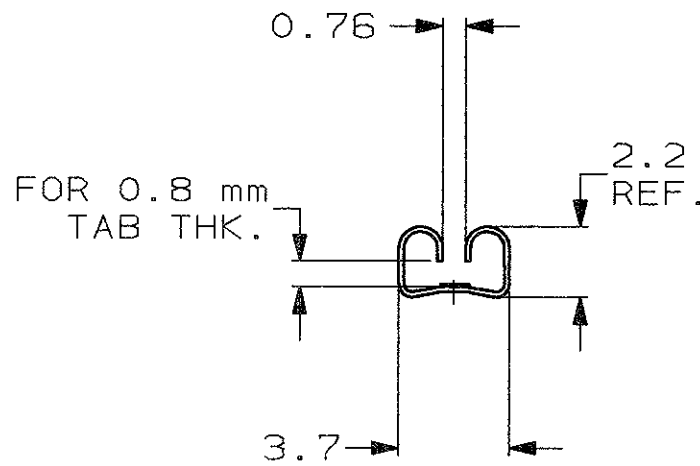
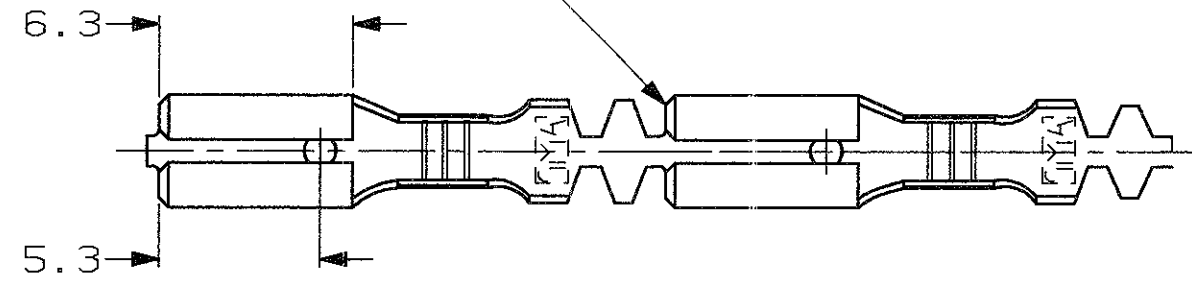


SCALA NON IMPEGNATIVA
(DO NOT SCALE)
DIMENSIONI IN mm
(DIMENSIONS IN mm)

METRIC

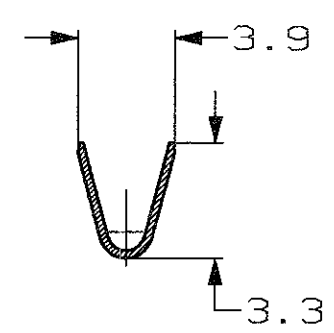
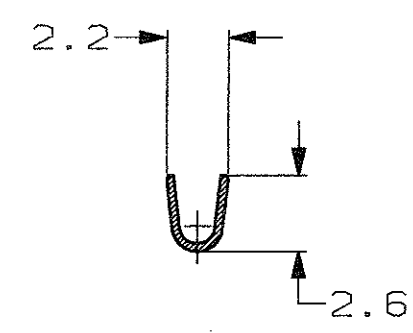
PROIEZIONE EUROPEA
(EUROPEAN PROJECTION)

SMUSSO FRONTALE
(CHAMFER AROUND FRONT OF REC.)



SEZIONE A-A
(SECTION A-A)

SEZIONE B-B
(SECTION B-B)



| | | | | | |
|------|--|-------------------------------------|-----------------------------|-----------------------|-----|
| | | STAGNATO (TIN PLATED) | BRONZO FOSF. (PHOS. BRONZE) | 6-160555-1 | AU |
| | | STAGNATO (TIN PLATED) | BRONZO FOSF. (PHOS. BRONZE) | 6-160555-0 | AU |
| | | PRE STAGNATO (PRE-TIN PLATED) | BRONZO FOSF. (PHOS. BRONZE) | 5-160555-9 | AU |
| | | NUDO (UNPLATED) | BRONZO FOSF. (PHOS. BRONZE) | 5-160555-8 | AU |
| | | STAGNATO (TIN PLATED) | OTTONE (BRASS) | 5-160555-7 | AU |
| | | NUDO (UNPLATED) | OTTONE (BRASS) | 5-160555-6 | AU |
| | | PRE STAGNATO (PRE-TIN PLATED) | OTTONE (BRASS) | 5-160555-5 | AU |
| | | NUDO (UNPLATED) | BRONZO FOSF. (PHOS. BRONZE) | 5-160555-4 | AU |
| | | ARGENTATO (SILVERPLATED) | OTTONE (BRASS) | 5-160555-3 | AU |
| | | STAGNATO (TIN PLATED) | OTTONE (BRASS) | 5-160555-2 | AU |
| | | NUDO (UNPLATED) | OTTONE (BRASS) | 5-160555-1 | AU |
| NOTE | | FINITURA / COLORE (FINISH / COLOUR) | MATERIALE (MATERIAL) | NUMERO (PART NUMBER) | REV |

- 1 GIUNTE MEDIANTE SALDATURA (SPLICE FREE)
- 2 BOBINATO CON CARTA INTERPOSTA (CREELED WITH INTERLEAVE PAPER STRIP)
- 2 STATO DI FORNITURA SCALA 1:1 (SUPPLY CONDITION SCALE 1:1)



3 OBSOLETE PARTS: OBSOLETE CIS STREAMLINING PER D.RENAUD/D.SINISI

CUSTOMER DWG. FOR REFERENCE ONLY
DISEGNO PER CLIENTE SOLO PER RIFERIMENTO

THIS DRAWING IS UNPUBLISHED | RELEASE FOR PUBLICATION | 19

| | | | |
|---|---|------------------------------------|----------------------|
| TOLLERANZE, SE NON DIVERSAMENTE SPECIFICATO (TOLERANCES, UNLESS OTHERWISE SPECIFIED) | DIAM. ISOLANTE (INS. DIA. RANGE) 2.0-3.0 | RANGO FILO (WIRE RANGE) 0.5-1.0 | SCALA (SCALE) 4:1 |
| ANGOLI (ANGLES) ± 0.3 ± 2° | STE TE Connectivity | | |

DIS. H. YAALI (DR.) 18 JUN 2002
DESCRIZIONE (DESCRIPTION) FASTON® Connector .110" srs. REC. CONTACT

| | | | | | | | | | |
|---------------------|---|---------------|---------------------|-------------|-------------|-------------|------------------|-------------|---------------|
| AU2 REV. (REV. NO.) | REVISED PER ECO-11-005140 REVISIONI (REVISION RECORD) | RK DIS. (DR.) | 31MAR11 DATA (DATE) | APP. (APP.) | LOC. (LOC.) | SIZE (SIZE) | NUMERO (DWG NO.) | REV. (REV.) | FOLIO (SHEET) |
| | | | | | I | A3 | C-160555 | AU2 | 1 DI (OF) 1 |

DISTRIBUZIONE (PRINT DIST.)