

## SUMMARY

### # Wires

Low voltage 26



Image is for illustrative purpose only

Series 3B  
Termination type Female crimp  
IP rating 50  
AWG wire size 26.00 - 22.00  
Cable Ø 10.80 - 11.90 mm  
Status active

### Download

[Request a quote](#)

[Eplan](#)

[Catalog](#)

## TECHNICAL DETAILS

### Mechanics

Shell Style/Model FH\*: Elbow plug, cable collet  
Keying 2 keys (gamma=70, plug: female contacts, receptacle: male contacts)  
Housing Material Brass (chrome plated [SAE AMS 2460]) shell and collet nut, nickel plated [SAE AMS QQ N 290] brass latch sleeve and mid pieces  
Weight 64.72 g

### Performance

Configuration 3B.326 : 26 Low Voltage  
Insulator Y: PEEK for crimp contacts  
Rated Current 4 Amps

### Specifications

Contact Type: Crimp  
Contact Retention: 22 N  
Contact Dia.: 0.7 mm (0.028in)  
Bucket Dia.: 0.8 mm (0.031in)  
Min. Conductor: 0.14 mm<sup>2</sup> (AWG 26)  
Max. Conductor: 0.34 mm<sup>2</sup> (AWG 22)  
R (max): 6.1 mOhm  
Vtest (contact-shell): 1300 V (AC), 1840 V (DC)

LEMO products and services are provided "as is". LEMO makes no warranties or representations with regard to LEMO product & services or use of them, express, implied or statutory, including for accuracy, completeness, or security. The user is fully responsible for his products and applications using LEMO components.

Vtest (contact-contact): 1500 V (AC), 2120 V (DC)

□

## Others

Endurance (Shell): 5000

Temp (min / max): -55 °C / +250 °C

Humidity (max): <=95% [at 60 deg C / 140 F]

Vibration: 15 g [10 Hz - 2000 Hz]

Shock Resistance: 100 g [ 6 ms]

Climatical Category: 50/175/21

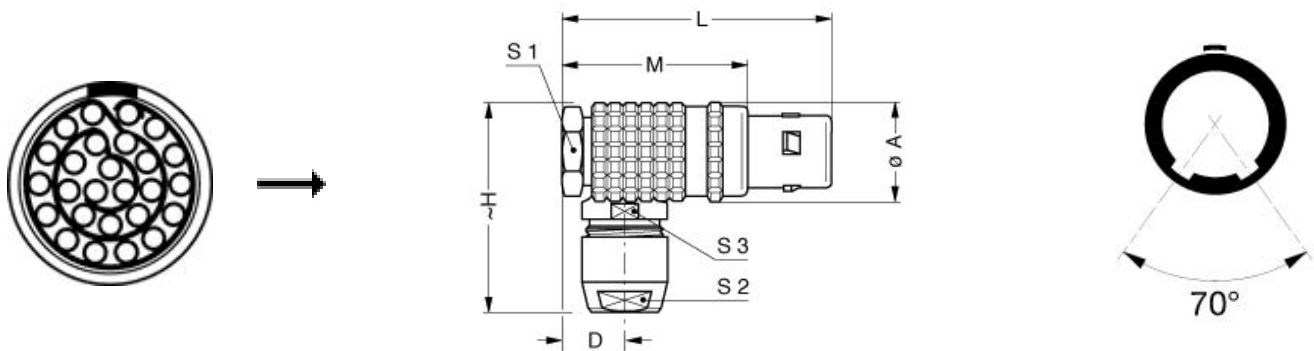
Shielding (min): 75 dB (10 MHz)

Shielding (min): 40 dB (1 GHz)

Salt Spray Corrosion: >1000 hr

---

## DRAWINGS



## Dimensions

	A	D	H	L	M	S1	S2	S3
mm.	19	10	37	50	35	17	14	15
in.	0,75	0,39	1,46	1,97	1,38	0,67	0,55	0,59

---

## RECOMMENDED BY LEMO

### Tools

LEMO products and services are provided "as is". LEMO makes no warranties or representations with regard to LEMO product & services or use of them, express, implied or statutory, including for accuracy, completeness, or security. The user is fully responsible for his products and applications using LEMO components.

Crimp Tool: [DPC.91.701.V](#)  
Crimp settings: AWG/Selector = 22-24-26/6-5-5  
Positionner: [DCE.91.073.BVM](#)  
Extractor: [DCC.07.04B.LAG](#)  
Replacement contact: EGG.3B.655.ZZM  
Spanner wrench: [DCD.3B.ZZZ.PA140](#)

*LEMO products and services are provided "as is". LEMO makes no warranties or representations with regard to LEMO product & services or use of them, express, implied or statutory, including for accuracy, completeness, or security. The user is fully responsible for his products and applications using LEMO components.*