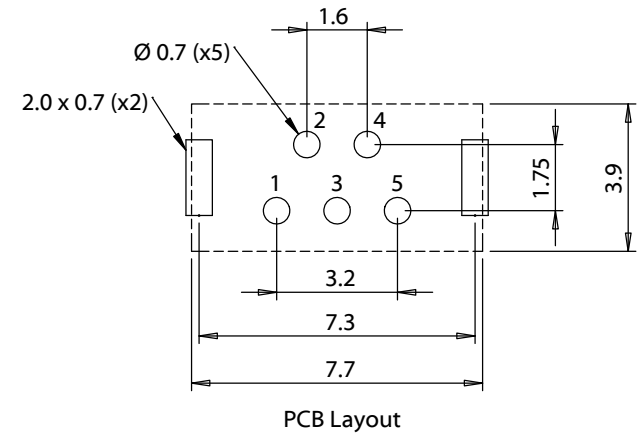
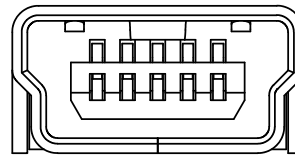
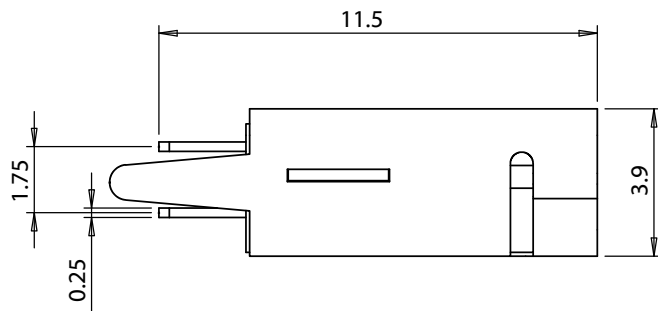
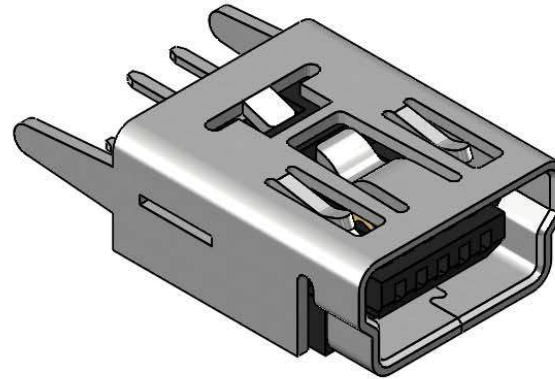
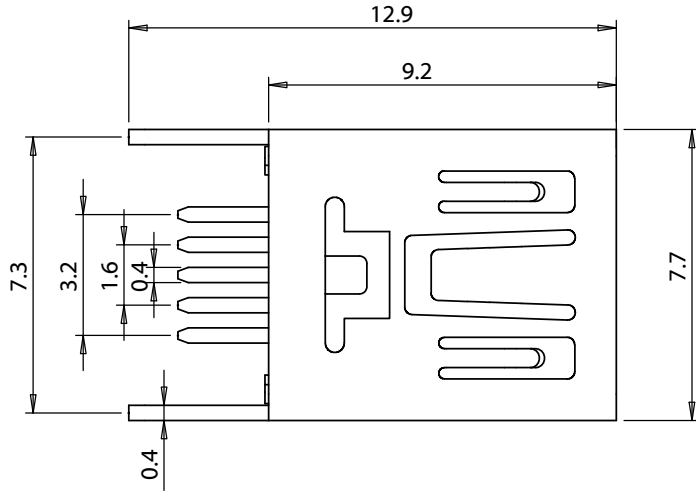
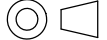


USB mini B jack 180° PCB mount



Revision: A	Date: 09/28/2015	Description: Initial release	Prepared: GL <small>Digitally signed by GL Date: 2018.08.06 11:10:52 -0700'</small>	Notes: RoHS and REACH compliant Function test: no open, no short circuit, no intermittent	TENSILITY <small>tel 1.541.323.3228 800 877.670.7118 fax 1.541.323.4202 web tensility.com</small>
A1	07/30/2018	Corrected operating temp range	Verified: RS <small>Digitally signed by RS Date: 2018.08.09 11:13:38 -0700'</small>		
			Dimensions are in millimeters. Tolerances: X: ± 0.5 mm X.X: ± 0.3 mm X.XX: ± 0.05 mm	Description: Connector, USB mini B Jack, PCB mount, 180°, nickel shell, DIP, black insulator, tray	Size: A Part number: 54-00023
					Scale: 5:1  Sheet 1 of 2

5

4

3

2

1

To see a custom version of this cable assembly, call Tensility at 541-323-3228 or email engineering@tensility.com

Materials

1. Shell, phosphor bronze, nickel plated
2. Pins, phosphor bronze, 5 μ" gold and tin plating
3. Insulator, Nylon 46, black

Electrical

Rated voltage: 30 Vdc
Rated current: 2 A
Dielectric strength: 1 min @ 500 Vac
Insulation resistance: 100 MΩ @ 500 Vdc
Contact resistance: 50 mΩ or less

Mechanical

Insertion force: 3.5 kgf maximum
Withdrawal force: 0.7 kgf minimum
Durability: 5000 cycle minimum life; less than 100 mΩ contact resistance, minimum 50 MΩ insulation resistance
Terminal strength: 0.3 kgf in any direction for 15 seconds without damage or looseness

Soldering

Solderability: 75% minimum coverage when terminals dipped 2 mm in 255 ±5 °C solder bath for 3 ±0.5 seconds
Solder bath durability: no deformation when immersed in 260 ±5 °C up to surface of the board for 10 seconds or less
Solder iron durability: no deformation when exposed to 350 ±10 °C for 3 ±0.5 seconds

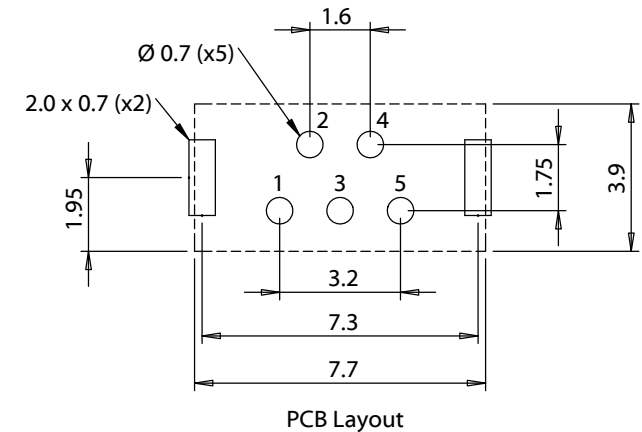
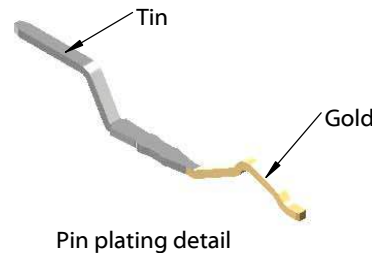
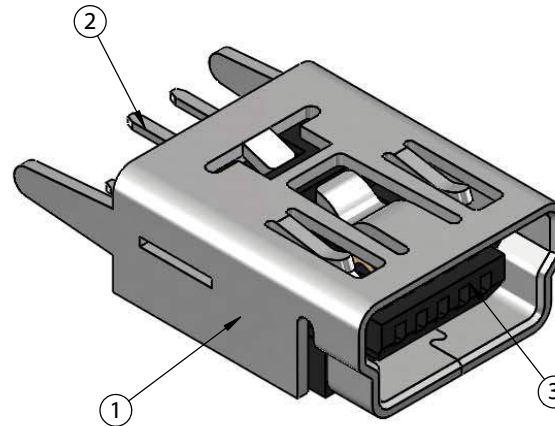
Environmental

Cold test: -40 ±3 °C for 48 hours without deformation
Heat test: 85 ±2 °C for 48 hours without deformation
Humidity test: 40 ±2 °C and humidity between 90 and 98 % for 48 hours without deformation

Operating range

-40 ~ 85 °C

USB mini B jack 180° PCB mount



Revision:	Date:	Description:
A	09/28/2015	Initial release
A1	07/30/2018	Corrected operating temp range

Prepared: GL <small>Digitally signed by GL Date: 2018.08.06 11:11:09 -0700'</small>
Verified: RS <small>Digitally signed by RS Date: 2018.08.09 11:14:05 -0700'</small>
Dimensions are in millimeters. Tolerances: X: ± 0.5 mm X.X: ± 0.3 mm X.XX: ± 0.05 mm

Notes: RoHS and REACH compliant
Function test: no open, no short circuit, no intermittent
Description: Connector, USB mini B Jack, PCB mount, 180°, nickel shell, DIP, black insulator, tray

TENSILITY	
<small>tel 1.541.323.3228 800 877.670.7118 fax 1.541.323.4202 web tensility.com</small>	
Size: A	Part number: 54-00023
Scale: 5:1	Sheet 2 of 2