

SFMX SERIES

(1.27 mm) .050"

FLEX LOCK/LATCH SOCKET STRIP

SPECIFICATIONS

For complete specifications and recommended PCB layouts see www.samtec.com?SFMX

Insulator Material: Black Liquid Crystal Polymer

Contact Material: Phosphor Bronze

Plating: Au over 50 μm (1.27 μm) Ni

Operating Temp Range: -55 °C to +125 °C

Insertion Depth: (3.05 mm) .120" to (4.06 mm) .160"

Unmating Force: Withdrawal force per contact: 2.0 oz (0.57 N) avg; Incremental unmating force with latching mechanism: 10 & 15 pins/row (One Latch) increases withdrawal force by 4 x avg; 20-30 pins/row (Two Latches) increases withdrawal force by 3 x avg; 35-50 pins/row (Three Latches) increases withdrawal force by 1.7 x avg

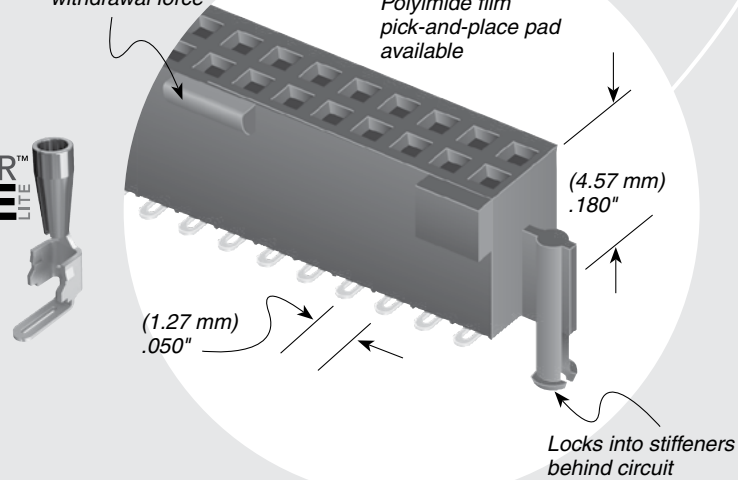
RoHS Compliant: Yes

Mates with: TFML



Latching feature increases withdrawal force

Polyimide film pick-and-place pad available



PROCESSING

Lead-Free Solderable: Yes

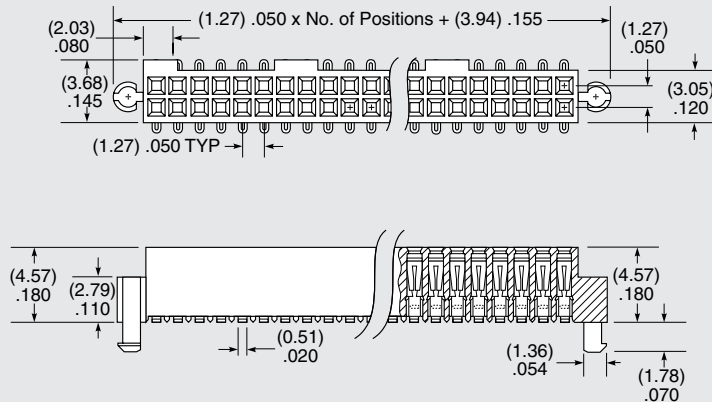
SMT Lead Coplanarity: (0.10 mm) .004" max (10-25) (0.15 mm) .006" max (30-50)*
*(.004" stencil solution may be available; contact IPG@samtec.com)

RECOGNITIONS

For complete scope of recognitions see www.samtec.com/quality



TYPE STRIP	1	NO. PINS PER ROW	LEAD STYLE	PLATING OPTION	D	OPTION
SFMX = Latching Flex Lock		10, 15, 20, 25, 30, 35, 40, 45, 50 (Standard sizes)	-T2 = Tiger Eye™ LITE Contact	-S = 30 μm (0.76 μm) Gold on contact, Matte Tin on tail		-K = (4.00 mm) .157" DIA Polyimide film Pick & Place Pad -TR = Tape & Reel -FR = Full Reel Tape & Reel (must order max. quantity per reel; contact Samtec for quantity breaks)



Note: Some sizes, styles and options are non-standard, non-returnable.