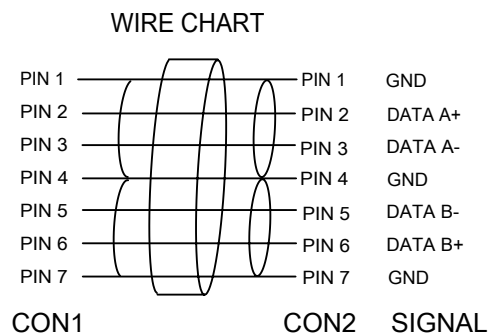
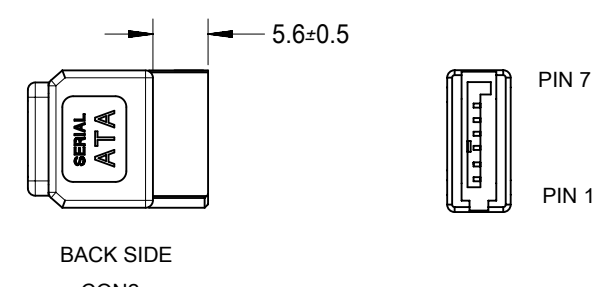
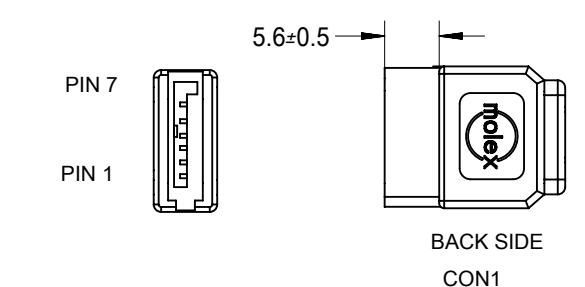
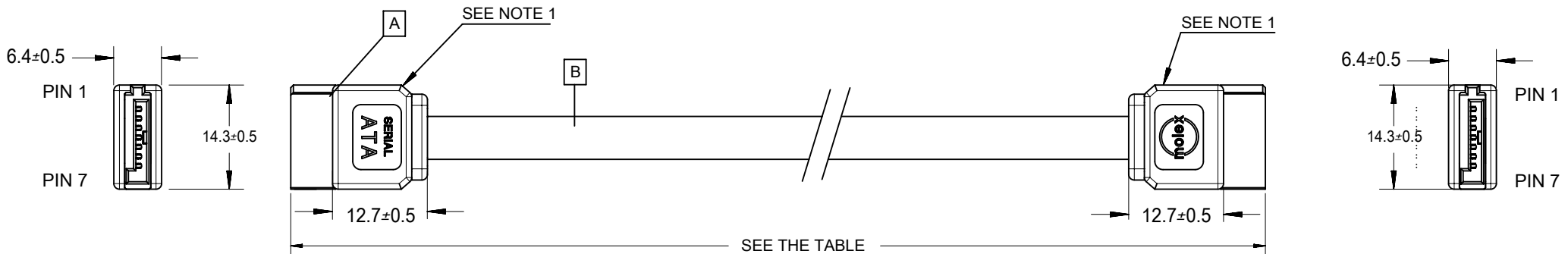


REVISIONS				
EC NO	DATE	REV	DESCRIPTION	CHANGER
TBD	2018/05/31	D	OBSOLETE PART NUMBER 887505310	VLOKESHA



MOLEX P/N	Length (mm)	Description
887505318	500±10	SERIAL ATA SIGNAL CABLE 0.5M RED

ITEM	DESCRIPTION	L(MM)	QTY
B	S-ATA DATA CABLE (SEE THE TABLE)	N/A	1
A	CONNECTOR GOLD PLATING		2

- NOTES:**
- OUTER MOLD WITH BLACK PVC RESIN
INNER MOLD WITH PE RESIN
 - ELECTRICAL PERFORMANCE:
ALL TEST DUABILITY: 0.01 SEC.
2.1. DIELECTRONIC STRENGTH: 500V DC
2.2. INSULATION RESISTANCE: 100M OHMS MIN.
2.3. CONDUCTIVE RESISTOR: 2 OHMS MAX.

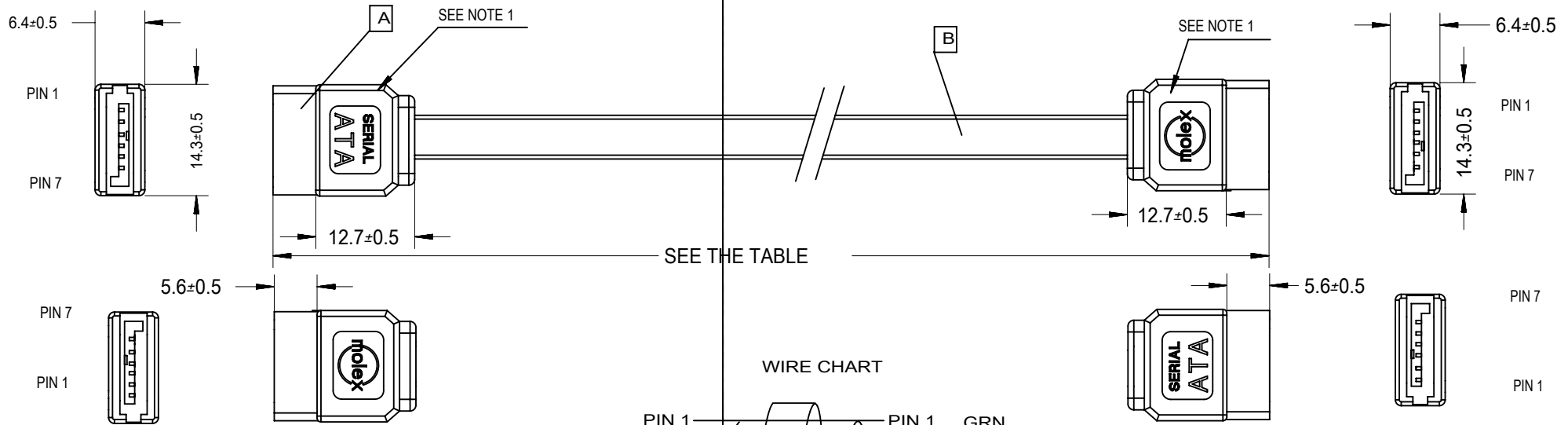
THIS DRAWING CONTAINS INFORMATION THAT IS PROPRIETARY TO MOLEX ELECTRONIC TECHNOLOGIES, LLC AND SHOULD NOT BE USED WITHOUT WRITTEN PERMISSION

DIMENSION UNITS	SCALE	CURRENT REV DESC: OBSOLETE PART NUMBER	
mm	1:1		
GENERAL TOLERANCES (UNLESS SPECIFIED)		EC NO: 638770	
ANGULAR TOL	± °	DRWN: MFAN08	2018/05/31
4 PLACES	±	CHK'D: GGA	2020/07/21
3 PLACES	±	APPR: GGA	2020/07/21
2 PLACES	±	INITIAL REVISION:	
1 PLACE	±	DRWN: JLIU13	2005/03/31
0 PLACES	±	APPR: BORON	2005/03/24
DRAFT WHERE APPLICABLE MUST REMAIN WITHIN DIMENSIONS		THIRD ANGLE PROJECTION	DRAWING
		SERIES	MATERIAL NUMBER
		A4-SIZE	88750
		CUSTOMER	SHEET NUMBER
		GENERAL MARKET	1 OF 2

S-ATA 0.5M CABLE ASS'Y

PRODUCT CUSTOMER DRAWING

DOCUMENT NUMBER: SD-88750-5310 DOC TYPE: PSD DOC PART: 001 REVISION: D



PIN 1	PIN 1	GRN
PIN 2	PIN 2	DATA A+
PIN 3	PIN 3	DATA A-
PIN 4	PIN 4	GND
PIN 5	PIN 5	DATA B-
PIN 6	PIN 6	DATA B+
PIN 7	PIN 7	GND
CON1	CON2	SIGNAL

887505310	500+-10	887808051	SATA SIGNAL CABLE, 0.5m GRAY
887505300	500+-10	887808404	SATA SIGNAL CABLE, 0.5m RED
887505318	500+-10	887808052	SATA SIGNAL CABLE, 0.5m RED
Molex P/N	Length (mm)	Raw Cable P/N	Description

B	S-ATA DATA CABLE (SEE THE TABLE)	N/A	1
A	CONNECTOR GOLD PLATING 674898002		2
ITEM	DESCRIPTION	L(MM)	QTY

NOTE:
 1. OUTER MOLD WITH BLACK PVC RESIN 887800019
 INNER MOLD WITH PE RESIN 887800008
 2. ELECTRICAL PERFORMANCE:
 ALL TEST DUABILITY: 0.01 SEC).
 2.1. DIELECTRONIC STRENGTH: 500V DC
 2.2. INSULATION RESISTANCE: 100M OHMS MIN.
 2.3. CONDUCTIVE RESISTOR: 2 OHMS MAX.

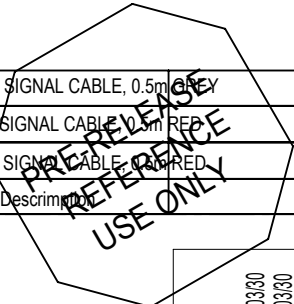
ENTER DESCRIPTION
 EC NO: DG2005-0120
 DRWN: JLIU13
 CHKD: TEDDY
 APPR: TKAN
 20050330
 20050330

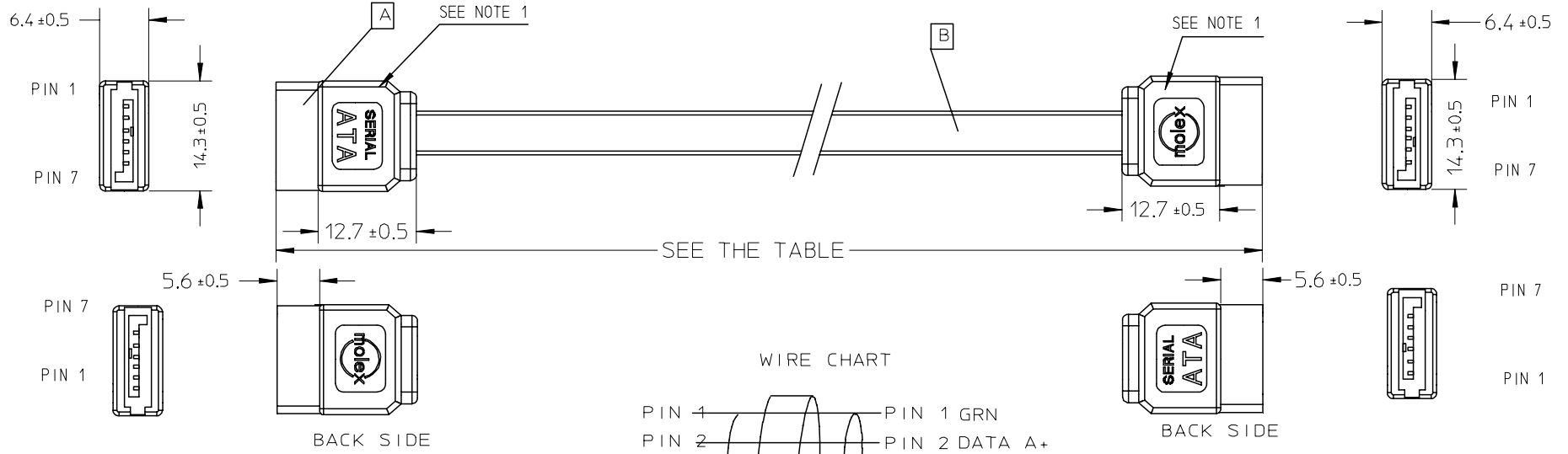
QUALITY SYMBOLS
▽=0
△=0
REV
DESCRIPTION

GENERAL TOLERANCES (UNLESS SPECIFIED)	
mm	INCH
4 PLACES	+ ---
3 PLACES	+ ---
2 PLACES	+ ---
1 PLACE	+ ---
ANGULAR	+ ---
DRAFT WHERE APPLICABLE MUST REMAIN WITHIN DIMENSIONS	

DIMENSION STYLE	
MM ONLY	
DRAWN BY	DATE
JLIU13	2005/03/31
CHECKED BY	DATE
TEDDY	2005/03/31
APPROVED BY	DATE
BORON	2005/03/31
MATERIAL NO.	
887505310	
SIZE	
A4	

SCALE	DESIGN UNITS	THIRD ANGLE PROJECTION	
10:1	METRIC		
TITLE			
S-ATA GRAY 0.5M CABLE ASS'Y			
MOLEX INCORPORATED			
DOCUMENT NO.		SHEET NO.	
SD-88750-5310		1 OF 1	
THIS DRAWING CONTAINS INFORMATION THAT IS PROPRIETARY TO MOLEX INCORPORATED AND SHOULD NOT BE USED WITHOUT WRITTEN PERMISSION			





WIRE CHART

PIN 1	GRN
PIN 2	DATA A+
PIN 3	DATA A-
PIN 4	GND
PIN 5	DATA B-
PIN 6	DATA B+
PIN 7	GND

887505310	500+/-10	887808051	SATA SIGNAL CABLE, 0.5m GREY
887505300	500+/-10	887808404	SATA SIGNAL CABLE, 0.5m RED
887505318	500+/-10	887808052	SATA SIGNAL CABLE, 0.5m RED
Molex P/N	Length (mm)	Raw Cable P/N	Description

B	S-ATA DATA CABLE (SEE THE TABLE)	N/A	1
A	CONNECTOR GOLD PLATING 674898002		2
ITEM	DESCRIPTION	L (MM)	QTY

NOTE:
 1. OUTER MOLD WITH BLACK PVC RESIN 887800019
 INNER MOLD WITH PE RESIN 887800008
 2. ELECTRICAL PERFORMANCE:
 ALL TEST DUABILITY: 0.01 SEC).
 2.1. DIELECTRIC STRENGTH: 500V DC
 2.2. INSULATION RESISTANCE: 100M OHMS MIN.
 2.3. CONDUCTIVE RESISTOR: 2 OHMS MAX.

ENTER DESCRIPTION	2005/03/31
EC NO: DG2005-0120	2005/03/31
DRWN: JLIU13	2005/04/01
CHKD: TEDDY	
APPR: TKAN	
DESCRIPTION	
REV	

QUALITY SYMBOLS	GENERAL TOLERANCES (UNLESS SPECIFIED)	
	mm	INCH
▽=0	4 PLACES ±---	±---
∇=0	3 PLACES ±---	±---
	2 PLACES ±---	±---
	1 PLACE ±---	±---
	ANGULAR ±---°	
	DRAFT WHERE APPLICABLE MUST REMAIN WITHIN DIMENSIONS	

DIMENSION STYLE	SCALE	DESIGN UNITS	THIRD ANGLE PROJECTION
MM ONLY	---	METRIC	
DRAWN BY	DATE	TITLE	
JLIU13	2005/03/31	S-ATA RED 0.5M CABLE ASS'Y	
CHECKED BY	DATE	Molex MOLEX INCORPORATED	
TEDDY	2005/03/31		
APPROVED BY	DATE	MATERIAL NO.	DOCUMENT NO.
BORON	2005/03/31	887505318	SD-88750-5318
		SIZE	SHEET NO.
		A4	1 OF 1
THIS DRAWING CONTAINS INFORMATION THAT IS PROPRIETARY TO MOLEX INCORPORATED AND SHOULD NOT BE USED WITHOUT WRITTEN PERMISSION			