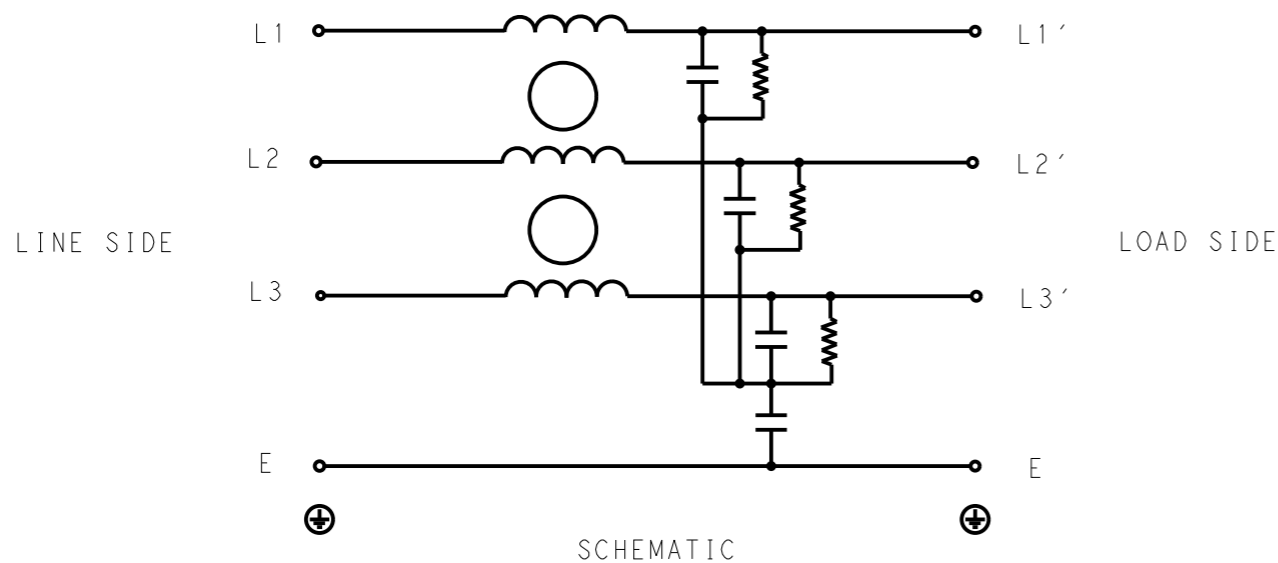


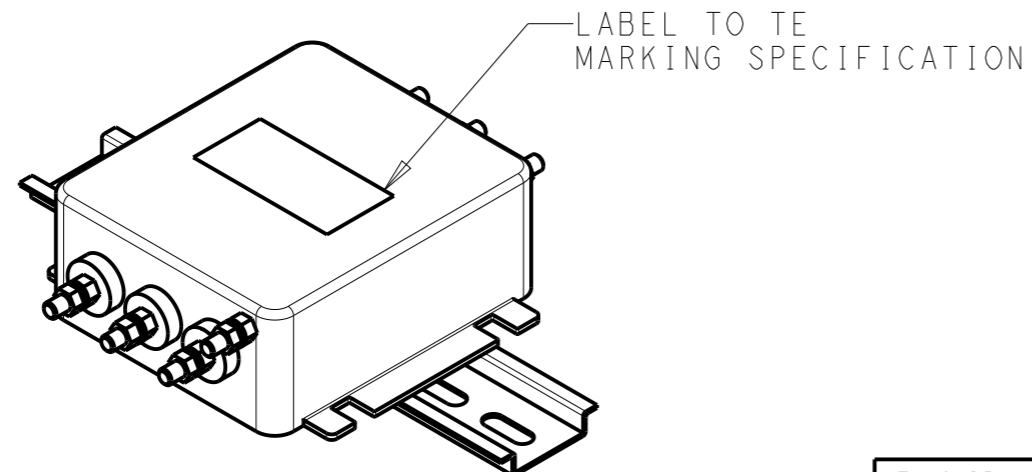
| P | LTR | DESCRIPTION | DATE | DWN | APVD |
|---|-----|-----------------|-----------|-----|------|
| | A | INITIAL RELEASE | 05APR2021 | SR | CB |



SCHEMATIC

TYPICAL INSERTION LOSS
COMMON MODE 50/50Ω; DIFFERENTIAL MODE 50/50Ω

| MHz | 0.01 | 0.05 | 0.15 | 0.5 | 1 | 3 | 5 | 10 | 30 |
|-----|------|------|------|-----|----|----|----|----|----|
| CM | 2 | 4 | 6 | 18 | 24 | 32 | 35 | 39 | 27 |
| DM | 4 | 8 | 15 | 22 | 35 | 42 | 40 | 48 | 50 |



SAFETY ORGANIZATIONS

THIS FILTER WILL BE FORMALLY RECOGNIZED, CERTIFIED OR APPROVED BY THE LISTED AGENCY. THEREFORE, ALL TEST/REQUIREMENTS SPECIFIED IN THE LATEST REVISION OF THE FOLLOWING AGENCY STANDARDS WILL BE MET:

UL APPROVED 30A 440V 50Hz/60Hz 40°C
CSA RECOGNISED 30A 440V 50Hz/60Hz 40°C

OPERATING SPECIFICATION

LINE CURRENT/VOLTAGE: 30A, 440VAC
LINE FREQUENCY: 50/60Hz

MAXIMUM LEAKAGE CURRENT: 5mA @ 230VAC, 50Hz

OPERATING AMBIENT TEMPERATURE RANGE @ RATED CURRENT: -25°C TO +40°C

IN AN AMBIENT, T_a, HIGHER THAN 40°C, THE MAXIMUM OPERATING CURRENT, I_o, IS AS FOLLOWS:

$$I_o = I_r \sqrt{\frac{85 - T_a}{45}}$$

RELIABILITY SPECIFICATIONS

STORAGE TEMPERATURE: -40°C TO +85°C
HUMIDITY: 21 DAYS @ 40°C AND 95% RH

TEST SPECIFICATIONS

INDUCTANCE, NOMINAL: 0.3mH

CAPACITANCE @ 1kHz

LINE TO GROUND, NOMINAL: 21nF
LINE TO LINE, NOMINAL: 235nF

DISCHARGE RESISTOR

L/G I.R. 680KΩ 1W
L/L I.R. 2MΩ 1W
L/N I.R. XXX
N/G I.R. XXX
IR (NO DISCHARGE RESISTOR) 20°C, 50% RH AND 100VDC, MIN: 6MΩ

RECOMMENDED RECEIVING INSPECITON HIPOT

LINE TO GROUND FOR 1 MINUTE: 2632VDC
LINE TO LINE FOR 1 MINUTE: 1892VDC

FILTER APPROVAL

THE BEST WAY TO SELECT AND QUALIFY A FILTER IS FOR YOUR ENGINEERING TO TEST THE UNIT IN YOUR EQUIPMENT.

| | | | | |
|----------------------------------------|--|----------------------------|-------------------------------------------------------------------|--|
| THIS DRAWING IS A CONTROLLED DOCUMENT. | | DWN SUPREETH R 05APR2021 | | |
| DIMENSIONS: mm | | CHK CHRIS BOLLE 05APR2021 | | |
| TOLERANCES UNLESS OTHERWISE SPECIFIED: | | APVD CHRIS BOLLE 05APR2021 | NAME POWER LINE FILTER FOR DIN 35 RAIL INSTALLATION 30KEBS6AFPDDM | |
| 0 PLC ±- | | PRODUCT SPEC - | SIZE A300779 CAGE CODE C-3-1609965-7 | |
| 1 PLC ±0.5 | | APPLICATION SPEC - | RESTRICTED TO - | |
| 2 PLC ±0.40 | | WEIGHT - | SCALE 1:2 SHEET 1 OF 2 REV A | |
| 3 PLC ±0.130 | | CUSTOMER DRAWING | | |
| 4 PLC ±0.0500 | | | | |
| ANGLES ±- | | | | |
| MATERIAL - | | | | |
| FINISH - | | | | |

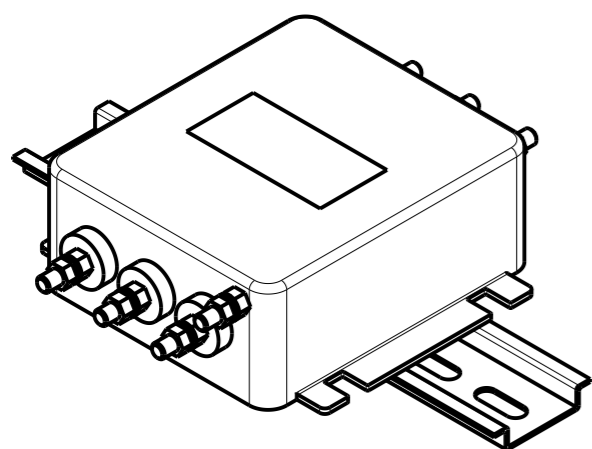
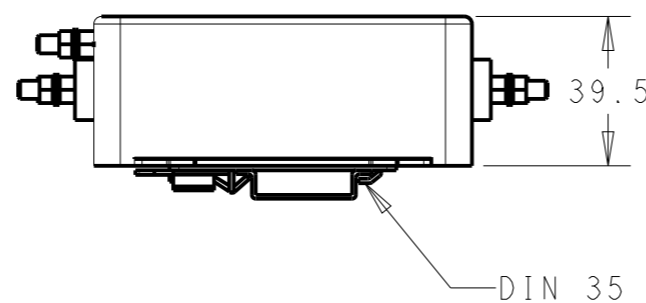
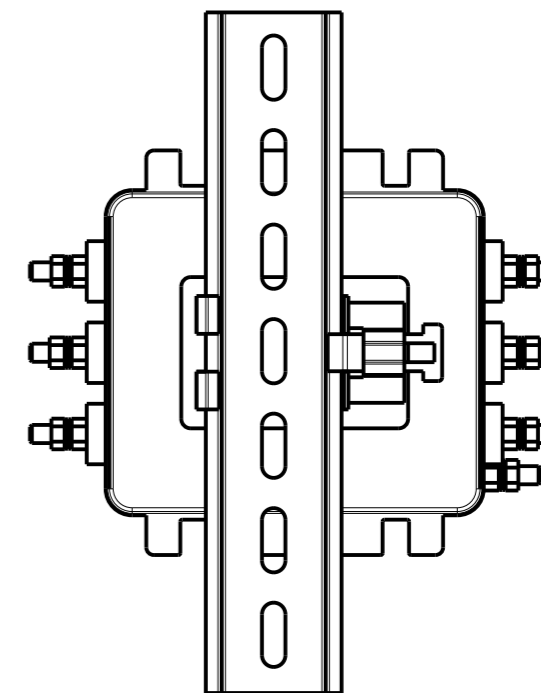
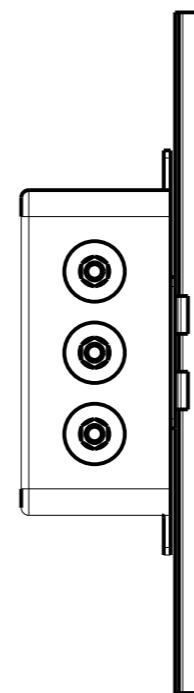
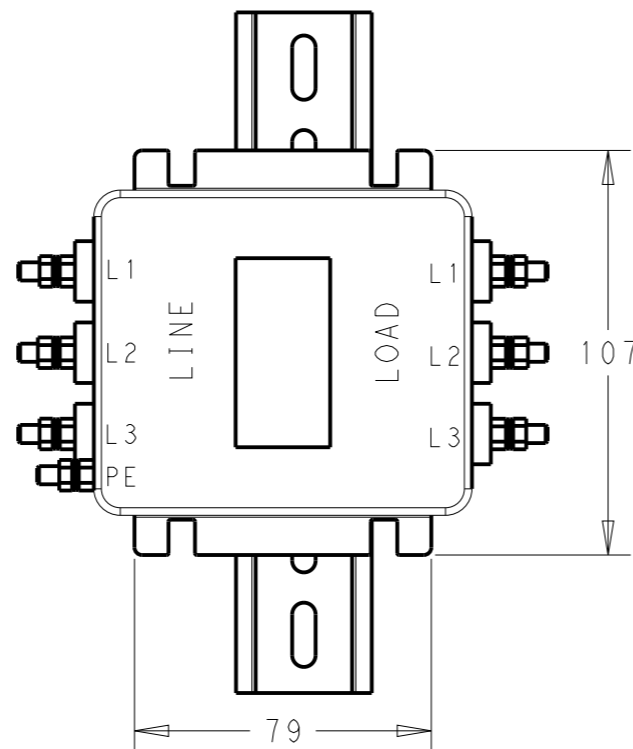
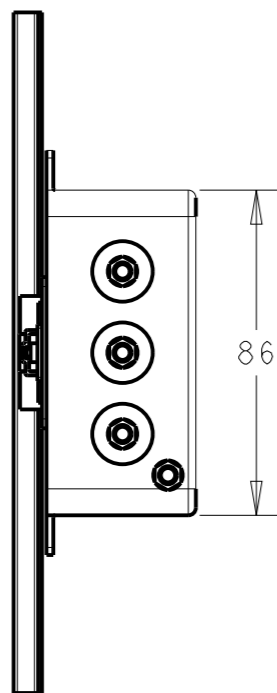
NOTE 1 GROUND CONNECTION:
DO NOT LOOSEN INNER GROUND NUTS.
TORQUE OUTER TERMINAL /GROUND NUTS: 2Nm


NOTE 2 INPUT OUTPUT CONNECTION TERMINAL
AWG SIZE: XXX
THREADED BOLT SIZE FOR TERMINAL: M5
THREADED BOLT SIZE FOR GROUND: M5

NOTE 3 SUPPLIED WITH DIN RAIL BRACKET

NOTE 4 DRAWING SHOWS DIN RAIL FOR
REFERENCE ONLY.

| P | LTR | DESCRIPTION | DATE | DWN | APVD |
|---|-----|-------------|------|-----|------|
| | | SEE SHEET 1 | | | |
| | | | | | |
| | | | | | |



| | | | | |
|-------------------------------------------------------------------------------------|--|----------------------------------|-------------------------------------------------------------------------------------------------------|----------------------------|
| THIS DRAWING IS A CONTROLLED DOCUMENT. | | DWN SUPREETH R 05APR2021 |  TE Connectivity | |
| DIMENSIONS: mm | | CHK CHRIS BOLLE 05APR2021 | | |
| TOLERANCES UNLESS OTHERWISE SPECIFIED: | | APVD CHRIS BOLLE 05APR2021 | NAME POWER LINE FILTER FOR DIN 35 RAIL INSTALLATION 30KEBS6AFPDDM | |
| 0 PLC ±- 1 PLC ±0.5 2 PLC ±0.40 3 PLC ±0.130 4 PLC ±0.0500 ANGLES ±- | | PRODUCT SPEC - | RESTRICTED TO - | |
| MATERIAL - | | APPLICATION SPEC - | SIZE A300779 | CAGE CODE C-3-1609965-7 |
| FINISH - | | WEIGHT - | SCALE 1:2 | |
| | | CUSTOMER DRAWING | SHEET 2 OF 2 | REV A |