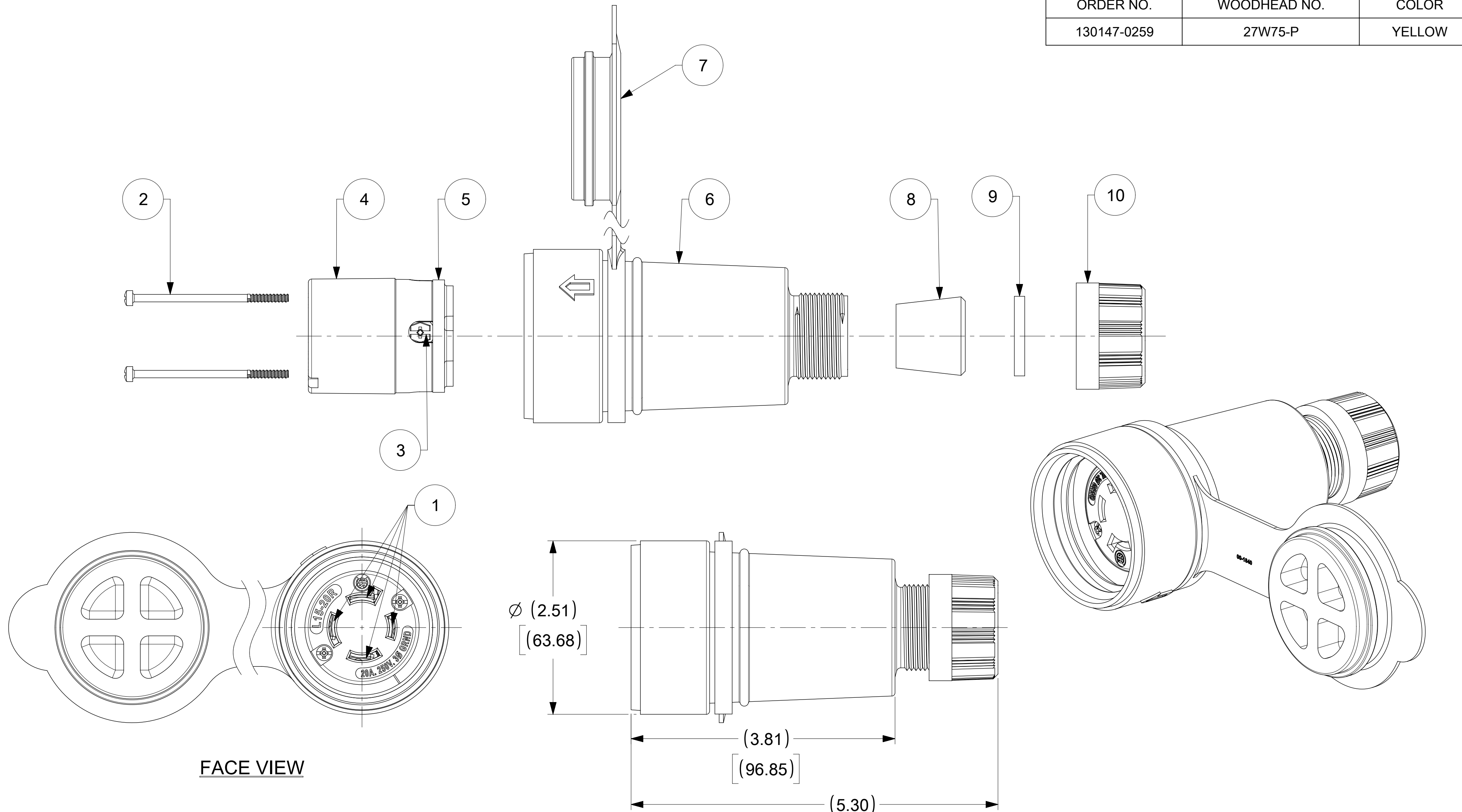


ORDER NO.	WOODHEAD NO.	COLOR
130147-0259	27W75-P	YELLOW



ITEM NO.	DESCRIPTIONS	MATERIAL	QTY.
1	BLADE	BRASS, NICKEL PLATED	4
2	RETAINING SCREWS	STAINLESS STEEL	2
3	CLAMP AND TERMINAL SCREW ASSY	BRASS, ZINC PLATED	4
4	INSERT	NYLON	1
5	TERMINAL COVER	POLYCARBONATE	1
6	HOUSING	SILICON WITH NYLON THREAD	1
7	COVER CLOSURE	SILICON WITH NYLON THREAD	1
8	GROMMET	RUBBER	1
9	FRICTION RING	NYLON	1
10	COMPRESSION NUT	NYLON	1

SYMBOLS		THIS DRAWING CONTAINS INFORMATION THAT IS PROPRIETARY TO MOLEX ELECTRONIC TECHNOLOGIES, LLC AND SHOULD NOT BE USED WITHOUT WRITTEN PERMISSION	
▽ = 0	DIMENSION UNITS	SCALE	CURRENT REV DESC: RELEASED
▽ = 0	INCH[MM]	NTS	
▽ = 0	GENERAL TOLERANCES (UNLESS SPECIFIED)		
▽ = 0		MM	INCH
▽ = 0	4 PLACES	±	±
▽ = 0	3 PLACES	±	±
▽ = 0	2 PLACES	±	±
▽ = 0	1 PLACE	±	±
▽ = 0	0 PLACES	±	±
▽ = 0	ANGULAR TOL	± °	
▽ = 0	DRAFT WHERE APPLICABLE MUST REMAIN WITHIN DIMENSIONS	THIRD ANGLE PROJECTION	DRAWING SERIES
			C-SIZE 130147
		EC NO: 614209	2018/12/17
		DRWN: DSOPPIN	2018/12/17
		CHK'D: DNGUYEN62	2019/03/29
		APPR: HKNEELAND	2019/03/30
		INITIAL REVISION:	
		DRWN: DSOPPIN	2018/12/17
		APPR: HKNEELAND	2019/03/30
		DOCUMENT NUMBER	DOC TYPE   DOC PART   REVISION
		1301470259	PSD 000 A
		MATERIAL NUMBER	CUSTOMER
		SEE TABLE	GENERAL MARKET
			SHEET NUMBER
			1 OF 1