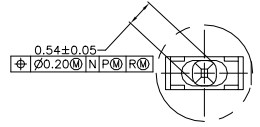
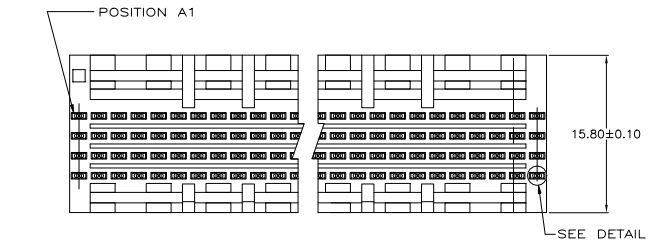
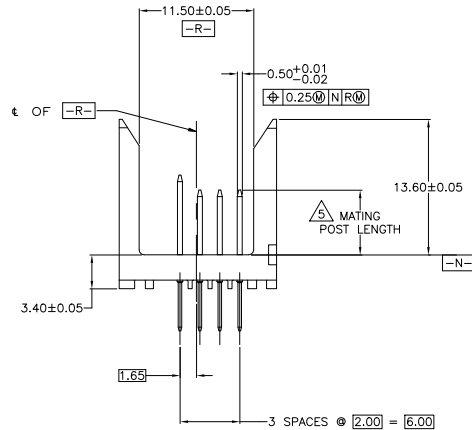
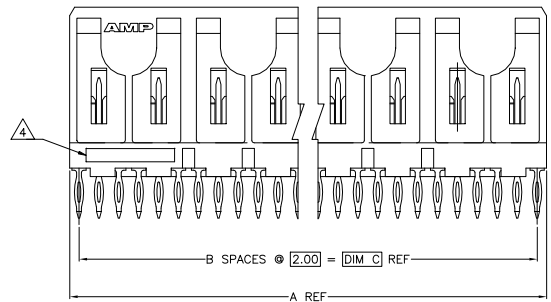
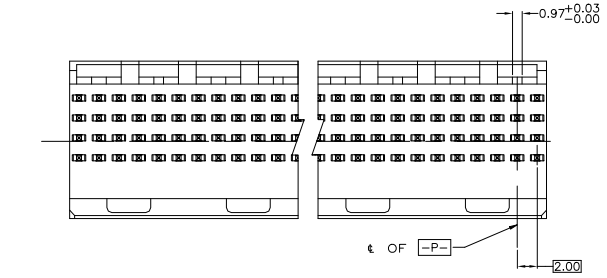
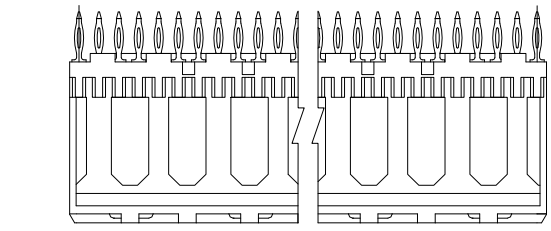


REVISIONS				
F	LN	DESCRIPTION	DATE	BY / APPR
B		REVISED PER ECO-20-013368	24SEP2020	RZ / HL



DETAIL Z SCALE 20:1

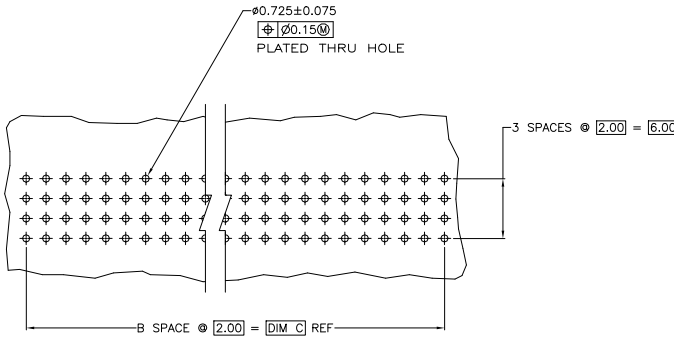


ROW	D	J	J	J	J	J	J	J	J	J	J	J	J	J	J	J	J	J	J	J
C	J	J	J	J	J	J	J	J	J	J	J	J	J	J	J	J	J	J	J	J
B	J	J	J	J	J	J	J	J	J	J	J	J	J	J	J	J	J	J	J	J
A	T	T	T	T	T	T	T	T	T	T	T	T	T	T	T	T	T	T	T	T

ROW	D	J	J	J	J	J	J	J	J	J	J	J	J	J	J	J	J	J	J	J
C	J	J	J	J	J	J	J	J	J	J	J	J	J	J	J	J	J	J	J	J
B	J	J	J	J	J	J	J	J	J	J	J	J	J	J	J	J	J	J	J	J
A	T	T	T	T	T	T	T	T	T	T	T	T	T	T	T	T	T	T	T	T

POSITION	1	2	3																			X	
SIGNAL																							
SIGNAL																							
SIGNAL																							
SIGNAL																							

- △ HOUSING MATERIAL: LIQUID CRYSTAL POLYMER PER ASTM D5138 LCP000 G30A 32250, COLOR: NATURAL.
- △ CONTACT MATERIAL: PHOSPHOR BRONZE.
- △ CONTACT FINISH:
 UNDERPLATE (ENTIRE CONTACT):
 0.00127 MIN NICKEL PER SAE-AMS-QQ-N-290.
 ON MATING SURFACES:
 CONFORMS TO ALL TESTING SPECIFIED FOR TELCORDIA UNCONTROLLED ENVIRONMENT.
 ON LEADS:
 0.0006 MIN TIN PER ASTM B 545 OVER UNDERPLATE.
 LUBRICATION (MIN MATING SURFACES):
 SURFACE CONDITIONER AFTER PLATING.
- △ PART MARKING, LOCATED APPROXIMATELY AS SHOWN.
- △ DIMENSION APPLIES WHEN SEATED ON PRINTED CIRCUIT BOARD.



RECOMMENDED CIRCUIT PATTERN PER IPC-D300 TYPE II, CLASS C (COMPONENT SIDE)

CODE LETTER	△ MATING POST LENGTH ±0.10	LEAD LENGTH (REF)
T	8	4.25
J	6.5	4.25

	34	17	35.88	△	72	5536540-6
	82	41	83.88	△	168	5536540-5
OBSOLETE	94	47	95.88	△	192	5536540-4
OBSOLETE	46	23	47.88	△	96	5536540-3
OBSOLETE	10	5	11.88	△	24	5536540-2

THIS DRAWING IS A CONTROLLED DOCUMENT. **TE Connectivity**

DESIGNER: B. MCMASTER 075834
 CHECKED: R. WERTZ 075834
 DRAWN: R. WERTZ 075834
 PRODUCT SPEC: _____

NAME: ASSEMBLY, PIN, SIGNAL, VERTICAL, Z-PACK 2mm FB
 PRESS FIT LEADS, SEQUENCED BY ROW

APPLICATION SPEC: _____
 SIZE: _____ DATE CODE: _____ DRAWING NO: _____ RESTRICTED TO: _____
 WEIGHT: 0.000000 A1 00779 ©5536540 _____
 MATERIAL: _____ FINISH: _____ CUSTOMER DRAWING SCALE: 4:1 SHEET: 1 of 1 REV: B