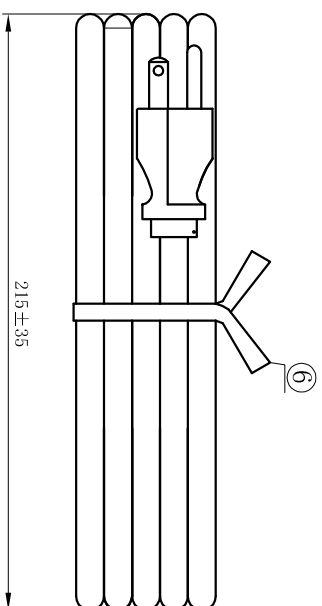
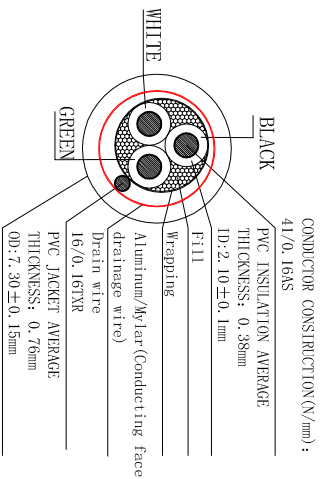
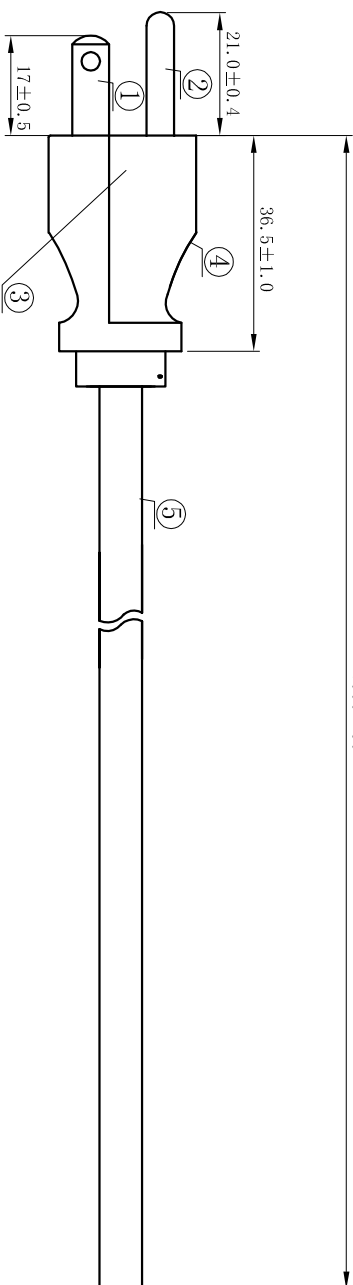
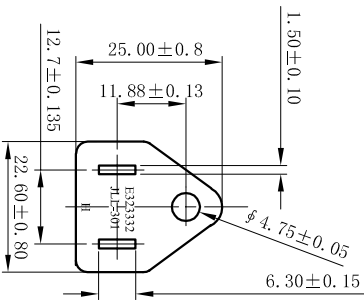


CnC Tech, LLC

Industrial Cable and Connector Technology

Engineer drawing

PART NO.	JLL-301	WIRE	SCALE	1 : 1
DESCRIPTION	SVT#18*3C 60C SHIELDED		UNIT:	mm
DWG No.	800-1801-0-SVT0-BL-00100			



NOTES:

- 1) JACKET COLOR: BLACK
- 2). E-GREEN; L-BLACK; N-WHITE

TESTING:

- 1) 100% OPEN & SHORT TESTING
- 2) INSULATION RESISTANCE: 100M ohm (min)
- 3) VOLTAGE: DC500V/1min
- 4) ROHS COMPLIANT

Printing the contents of wire The use of printing ink replenish Wire

E213929 (UL) SVT 3 X 18AWG(0.823mm²) W-1 SHIELDED 60 °C 300V CSA 228191
SVT 3 X 18AWG(0.823mm²) FT2 60 °C 300V -LF-

REV	DATE	DESCRIPTION	SYMBOL
DRAWN/DATE		CHECKED/DATE	
GONG/10.11.6		ZHUYING/10.11.6	

NO.	SPECIFICATION	COLOUR	MATERIAL	AMOUNT
①	Load terminals 98861	Silver	Cu	2P
②	Grounding terminal 97475	Silver	Cu	1P
③	Model aircraft 8661AW-3P	WHITE	PBT	1PCS
④	Plug JLL-301	BLACK	PVC Cu	1PCS
⑤	Wire SVT 18AWG/3C 60°	BLACK	PVC Cu	1PCS
⑥	Ties	BLACK		1PCS