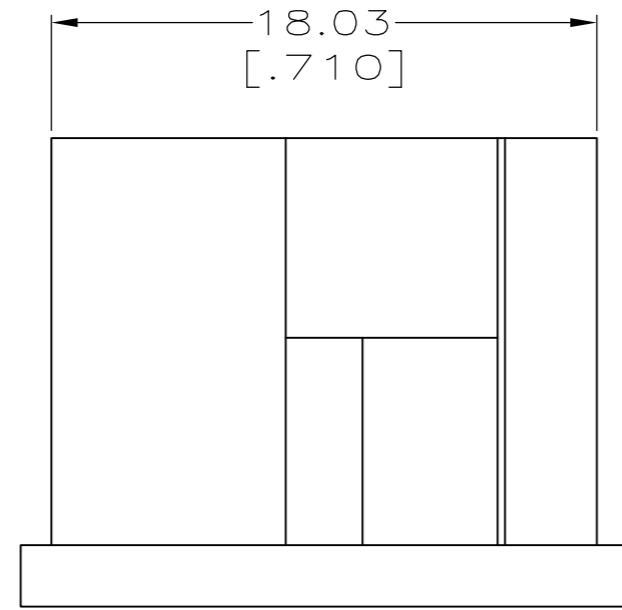
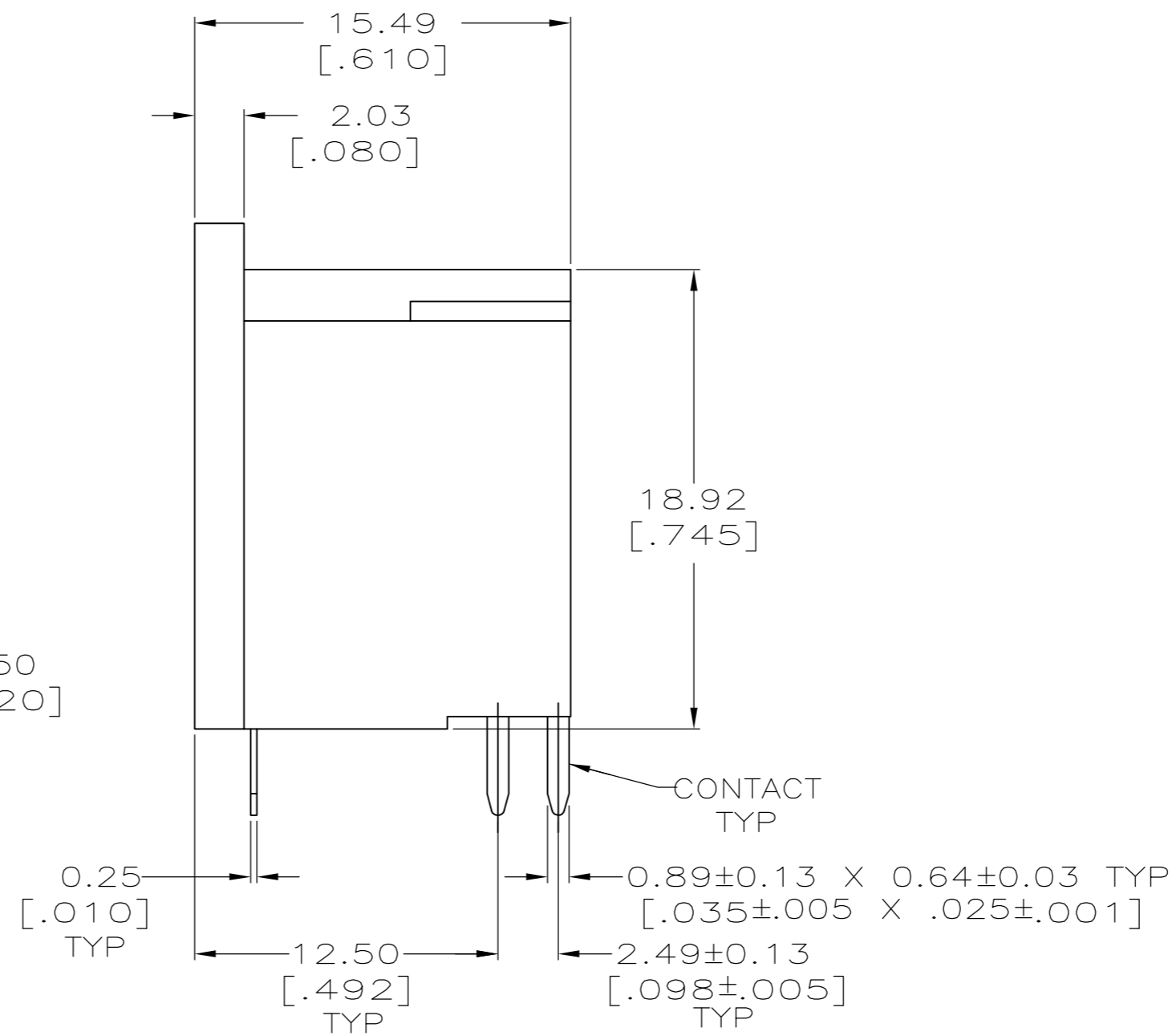
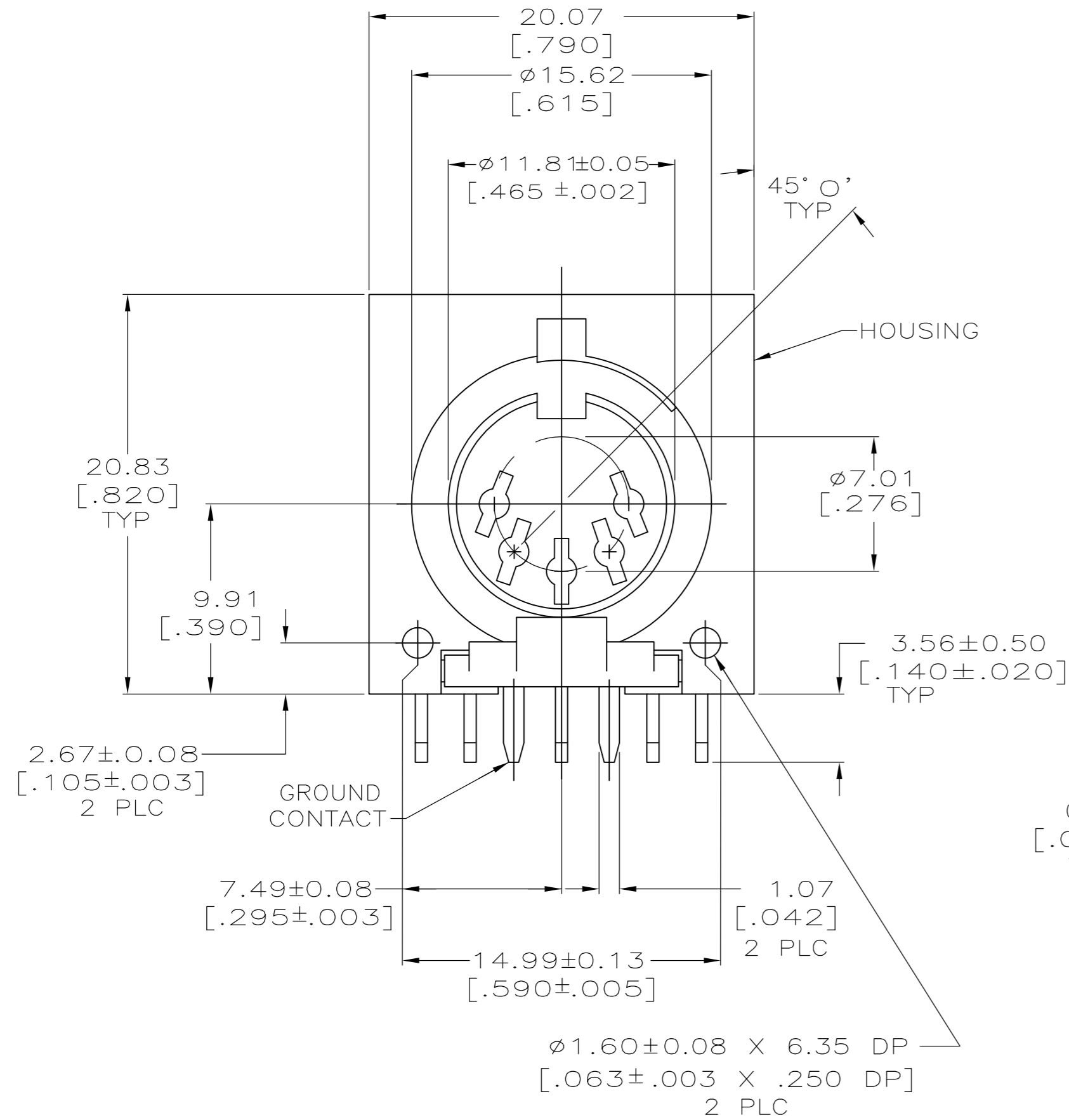


THIS DRAWING IS UNPUBLISHED. RELEASED FOR PUBLICATION
 © COPYRIGHT - By - ALL RIGHTS RESERVED.

LOC		DIST		REVISIONS			
P	LTR	DESCRIPTION	DATE	DWN	APVD		
GP	00						
P		REVISED PER ECO-11-004835	11MAR11	RK	HMR		



- 1 HOUSING: NYLON, FLAME RETARDANT, UL 94V-0 RATED, GLASS FILLED, BLACK.
- 2 CONTACTS AND GROUND CONTACT: 2.54 μm [0.000100] MIN TIN OVER 1.27 μm [0.000050] MIN NICKEL.
- 3. MATING FACE CONFORMS TO DIN SPECIFICATION 41524.
- 4 CONTACTS AND GROUND CONTACT: BRASS.



TUBE	5211450-2
GANG OF TUBES	5211450-1
PACKAGING TYPE	PART NO

THIS DRAWING IS A CONTROLLED DOCUMENT.		DWN	L. VARELA - DOCK5	11-11-04		TE Connectivity			
DIMENSIONS: mm [INCHES]		CHK	C. ROHDE	11-11-04		NAME			
TOLERANCES UNLESS OTHERWISE SPECIFIED:		APVD	M. WALMSLEY	11-11-04		RECEPTACLE ASSEMBLY, 5 POSN, RIGHT ANGLE, CIRCULAR DIN			
0 PLC ± - 1 PLC ± - 2 PLC ± 0.25 [010] 3 PLC ± - 4 PLC ± - ANGLES ± 0° 30'		PRODUCT SPEC	108-10047	APPLICATION SPEC		SIZE	CAGE CODE	DRAWING NO	
MATERIAL		FINISH	114-40025		WEIGHT	A2	00779	C=5211450	RESTRICTED TO
		CUSTOMER DRAWING		SCALE	4:1	SHEET	1 OF 1	REV	P