

THIS DRAWING IS UNPUBLISHED.

RELEASED FOR PUBLICATION MAY , 2006.

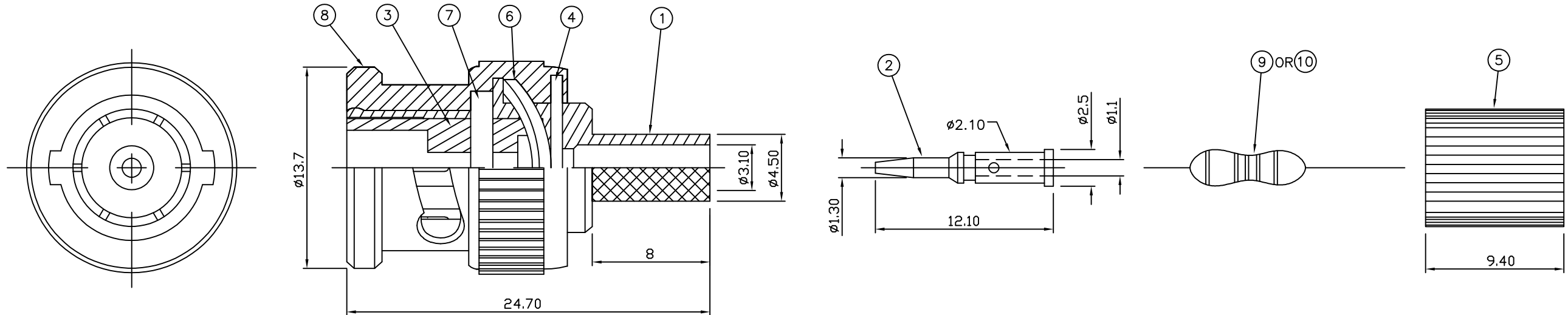
© COPYRIGHT 2006 By -

ALL RIGHTS RESERVED.

LOC	DIST	REVISIONS			
P	LTR	DESCRIPTION	DATE	DWN	APVD
E	B	B	ECO-09-003420	10 Mar 09	RITA BOB
		C	ECO-12-010787	11JUN12	TITAN MARTIN

NOTES

- 1 SINGLE PACK IN ACCORDANCE WITH AMP SPEC 107-3275
- 2 100 TRAY PACK IN ACCORDANCE WITH AMP SPEC 107-3275
- 3 Au PLATING
- 4 Ni PLATING



QTY	DESCRIPTION	ITEM	Obsolete	Obsolete	Obsolete
1	METAL FILM	RESISTOR 75 OHM	1	1	-
-	METAL FILM	RESISTOR 50 OHM	-	-	1
1	ZINC ALLOY	BARREL	1	1	1
1	SILCON RUBBER	GASKET	1	1	1
1	SPRING STEEL	SPRING	1	1	1
1	ZINC ALLOY	CAP	1	1	1
1	IRON	WASHER	1	1	1
1	POLYMETHYLPENTENE	INSULATOR	1	1	1
1	BRASS	CONTACT	1	1	1
1	ZINC ALLOY	BODY	1	1	1
5	MATERIAL	DESCRIPTION	35	25	15
					0

THIS DRAWING IS A CONTROLLED DOCUMENT.		DWN RITA ZUO 10 Mar 09	TE Connectivity		
DIMENSIONS: mm		CHK ANSON MA 10 Mar 09			
TOLERANCES UNLESS OTHERWISE SPECIFIED:		APVD BOB ZHAO 10 Mar 09	NAME BNC PLUG TERMINATION - 50 OHM & 75 OHM		
0 PLC ± 0.5		PRODUCT SPEC	108-112000		
1 PLC ± 0.3		APPLICATION SPEC	-		
2 PLC ± 0.2		WEIGHT	-		
3 PLC ± -		SIZE	A3	CAGE CODE	00779
4 PLC ± -		DRAWING NO	C-1634527		
ANGLES ± -		RESTRICTED TO	-		
FINISH		CUSTOMER DRAWING			
MATERIAL SEE TABLE		SCALE	NTS	SHEET	1 OF 1
		REV	C		