

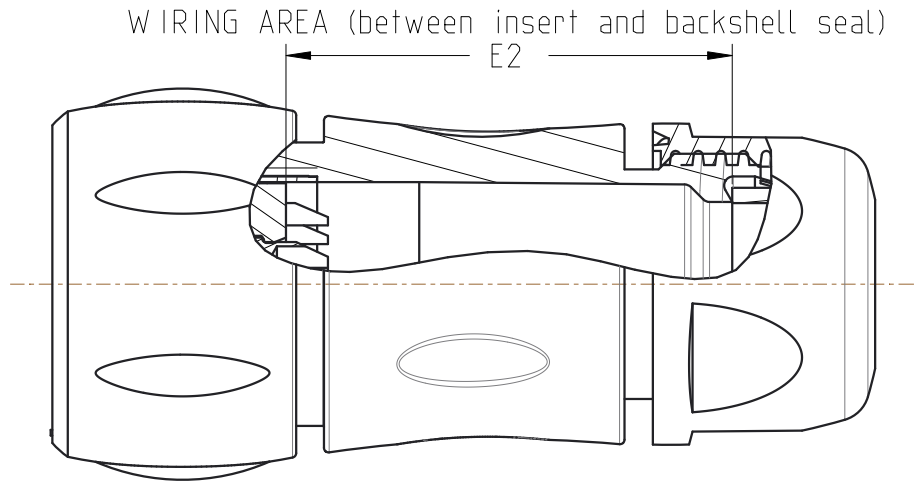
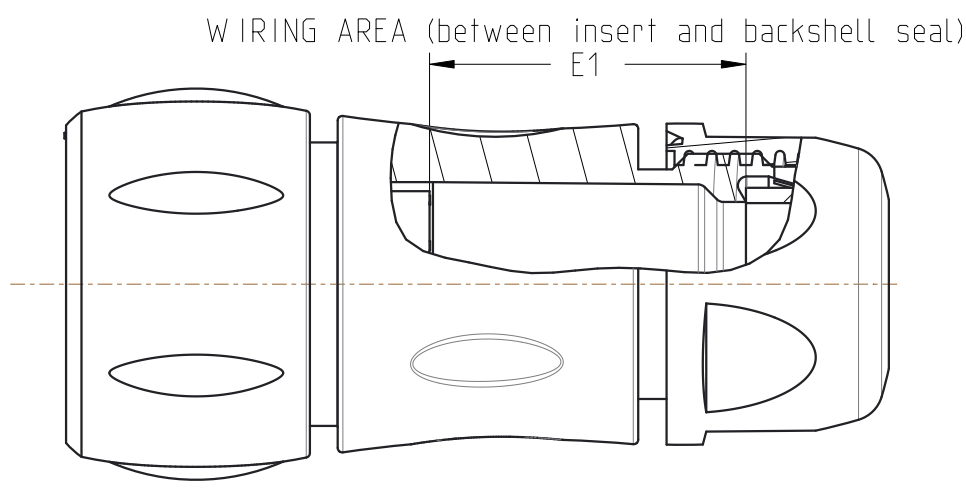
B.2: Validé

SIDE VIEW FOR EACH VERSION

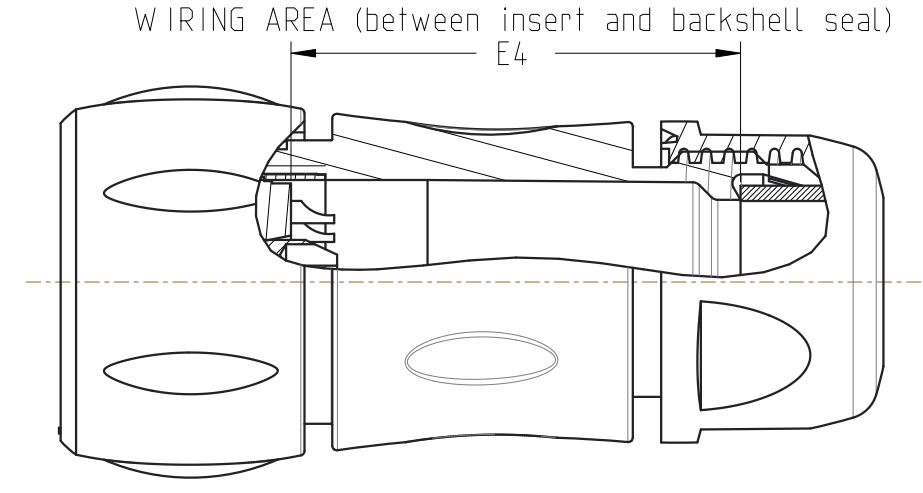
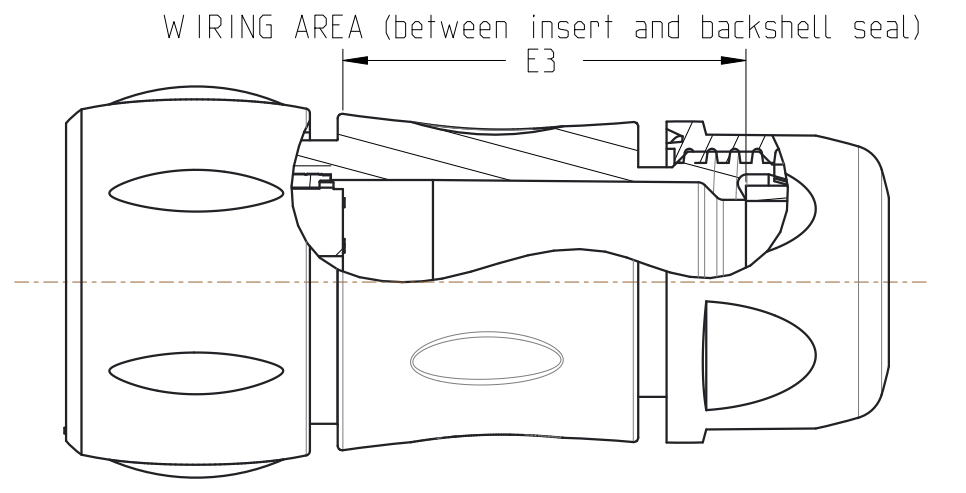
UTSX6JC-----

UTSX6JC--E---

UTSX6JC-----P



UTSX6JC-----S

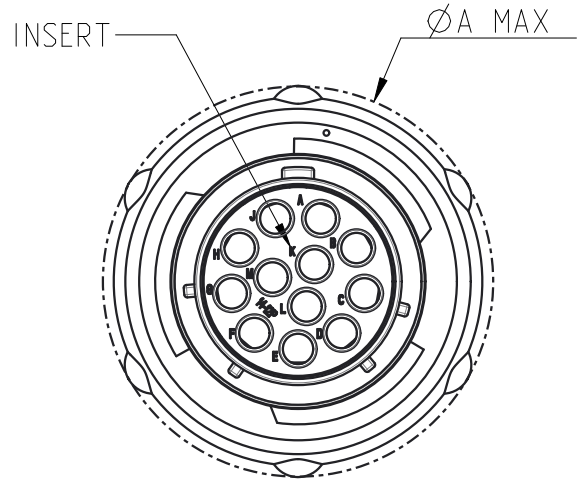
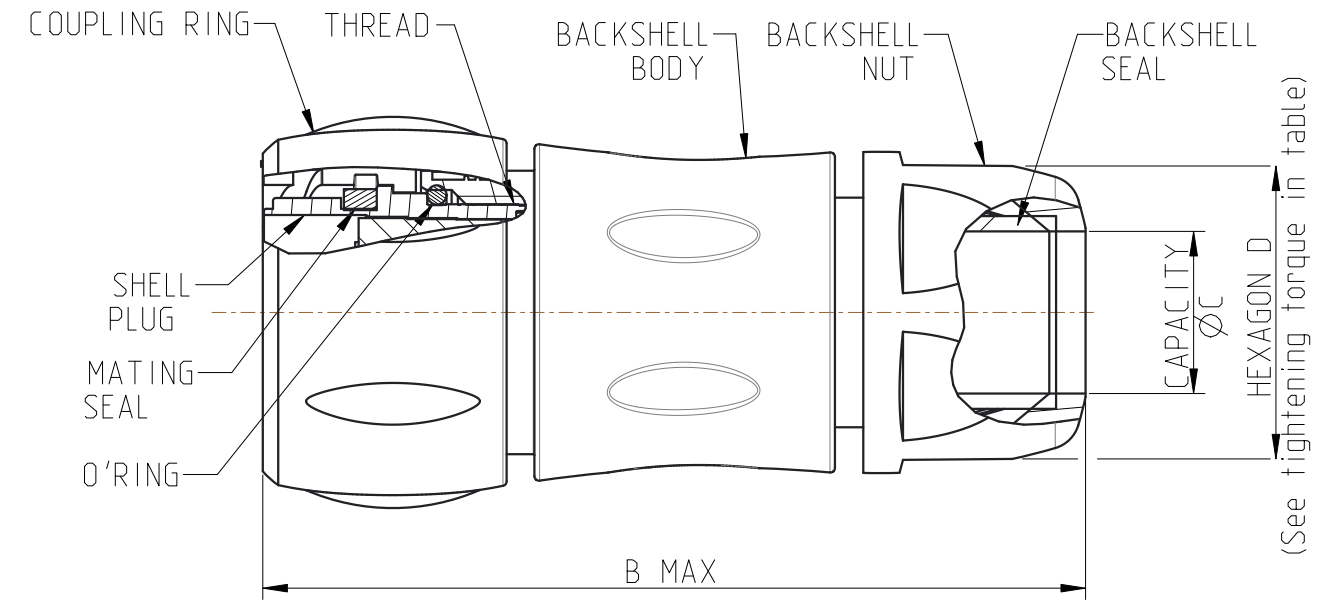


SEALING CONDITIONS

Sealing in MATED conditions with COUNTERPART:
 -IP6x : No ingress of dust
 -IPx8 1 bar during 1 week: immersion under 10 m of water.
 -IPx9K : exposure to high pressure water of cleaning equipment (IEC 60529)

Sealing in MATED conditions with COUNTERPART and UNMATED conditions:
 -IP6x : No ingress of dust
 -IPx8 1 bar during 1 week: immersion under 10 m of water.
 -IPx9K : exposure to high pressure water of cleaning equipment (IEC 60529)

COMMON QUOTES FOR ALL VERSION



MATERIAL :

- SHELL :PA UL94 V0, UL746C F1 Black color
- COUPLING RING: PA UL94 V0 F1 Black color
- BACKSHELLS : PA UL94 V0 F1 Black color
- BACKSHELL Seal : CR
- INSERT (UTSX0-----) : PA UL94 V0, UL746C F1
- INSERT (UTSX0--E---) : Polychloroprene UL94 HB
- O'RING : NITRIL
- MATING SEAL : SILICON
- CONTACTS: brass + coated depending on P/N

PERFORMANCE CHARACTERISTICS :

Operating temperature: -40°C up to 105°C
 Insulation resistance: 5000 MΩmin
 Corrosion salt spray: 500 hours
 Durability: 250 matings and unmatings
 Sealing conditions: SEE TABLE

NOTA:

- 1- Contact to be ordered separately for version UTSX6----- : refer to corresponding catalogue.
- 2- Insert arrangement refer to:

UTX_LAYOUT (Standard Version)
 UTX-HS_LAYOUT (HiSeal Version)

- 3- This part shall be used at the place of the standard seal to accomodate with different cable Ø
- 4- Plug, backshell and the reducing seal are delivered as a kit. The backshell already includes the standard seal.

Country	Jurisdiction & Control List
FR	NOT LISTED

SOURIAU shall not be liable for any non-conformity or damage due to a use of the Products which does not comply with the Specifications issued by either of the Parties or by a third party (professional recommendation, technical notice.)

P/N : CROSS REF TABLE

BASIC SERIES	UTSX 6 JC 14 E 19 P	* P/N for example
SHELL TYPE	6 Plug	Normal (no digit) W.X.Y.Z
BACKSHELL	JC	TYPE OF CONTACTS P: MALE S: FEMALE
SHELL SIZE	10 12 14	INSERT ARRANGEMENT See NOTA 2
TYPE OF LAYOUT	Standard layout (No digit) E : HISEAL Handsolder contacts	

B	15/09/2021	Mass column deleted	25782C
ISS	DATE	Latest modification - by: Q.LECOMTE	MOD N°

Designed by: J.GAMBIER Date: 1 29/10/2020 CUSTOMER DRAWING

TITLE PLUG T6 WITH BACKSHELL JC - SIZE 10 12 & 14, Standard and Hiseal version UTSX CONNECTOR

Scale 3/2 Dimensions in mm General Linear Tolerances: ± 0.2 NPRDS / PROJECT GBB

FATON Powering Business Worldwide www.souriau.com This document is the property of SOURIAU It must not be reproduced or communicated without permission

FORMAT A2 SOURIAU DRG N° UTSX-0005A-C SHEET 1 / 1

SHELL SIZE	MAX	MAX	STANDARD	REDUCING SEAL (NOTA.3)	HEXAGON backshell nut		MAX				THREAD CLASS 2A
	ØA	B	ØC		D	Tightening torque (N.m)	E1	E2	E3	E4	
10	26.2	66	2.5 / 8	1.5 / 5	18.5	1	21	34.1	29	33.5	9/16-24 UNEF
12	29.7	69	5 / 12	3 / 9	24	2	25	38.1	33	37.5	11/16-24 UNEF
14	34.6	75.5	7 / 14	5 / 12	26	2.5	29	42.1	36	40.5	13/16-20 UNEF