

DATA CONTAINED IN THIS DOCUMENT IS PROPRIETARY TO TROMPETER ELECTRONICS INC. AND SHALL NOT BE DISCLOSED, COPIED OR USED FOR PROCUREMENT OR MANUFACTURE WITHOUT EXPRESS WRITTEN PERMISSION OF TROMPETER ELECTRONICS INC.

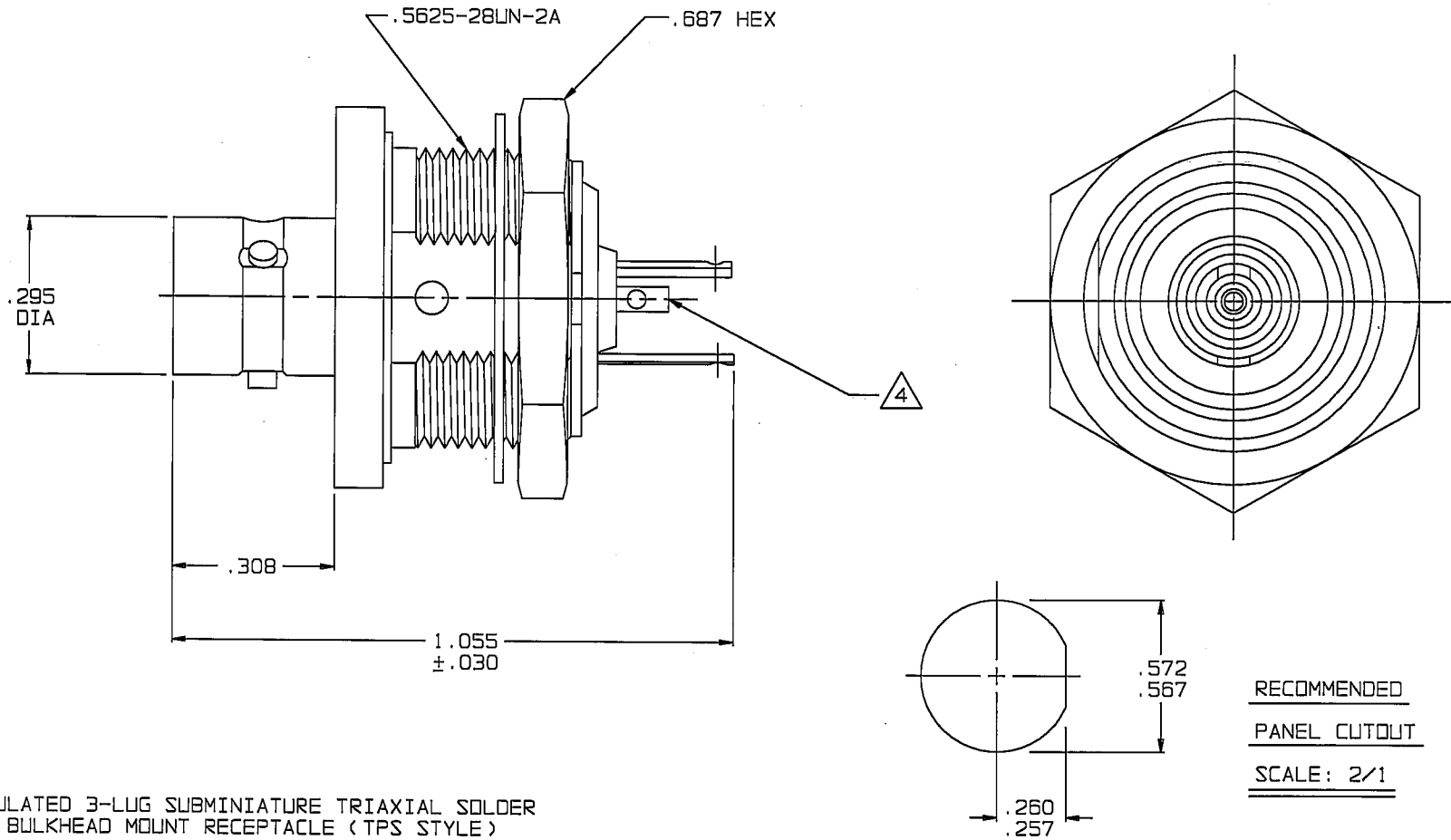
REVISIONS

3-0078

SH 1C

REV	DESCRIPTION	DATE	APPROVED
F	REVISED PER ECO #13860	2/20/01	WMark

RED INDICATES ORIGINAL



RECOMMENDED
PANEL CUTOUT
SCALE: 2/1

5. INSULATED 3-LUG SUBMINIATURE TRIAXIAL SOLDER POT BULKHEAD MOUNT RECEPTACLE (TPS STYLE)

4 SOLDER POT ACCEPTS .034 MAX DIA CONDUCTOR

3. MAX PANEL THK: .208

2. FINISH: TFS-1A (NICKEL)

1. ALL DIMENSIONS ARE IN INCHES

INTERPRET DRAWING PER MIL-STD-100 DIMENSIONS ARE IN INCHES AND INCLUDE FINISH THICKNESS UNLESS OTHERWISE SPECIFIED		TOL: UNLESS SPECIFIED .XX ± .XXX ± .005 .XXXX ± ANGLES					
DRAWN R L	DATE 2/13/01	MATERIAL:				TITLE: BJ152	
CHECKED WMark	DATE 2/16/01	FINISH:		SIZE A	CAGE CODE 14949	DRAWING NO. 3-0078	REV. F
APPROVED WMark	DATE 2/16/01	CAD FILE NO. 3-0078F1		SCALE 3/1	DATE: 3/29/83	SHEET 1C	

NEXT ASSY

DO NOT SCALE DWG