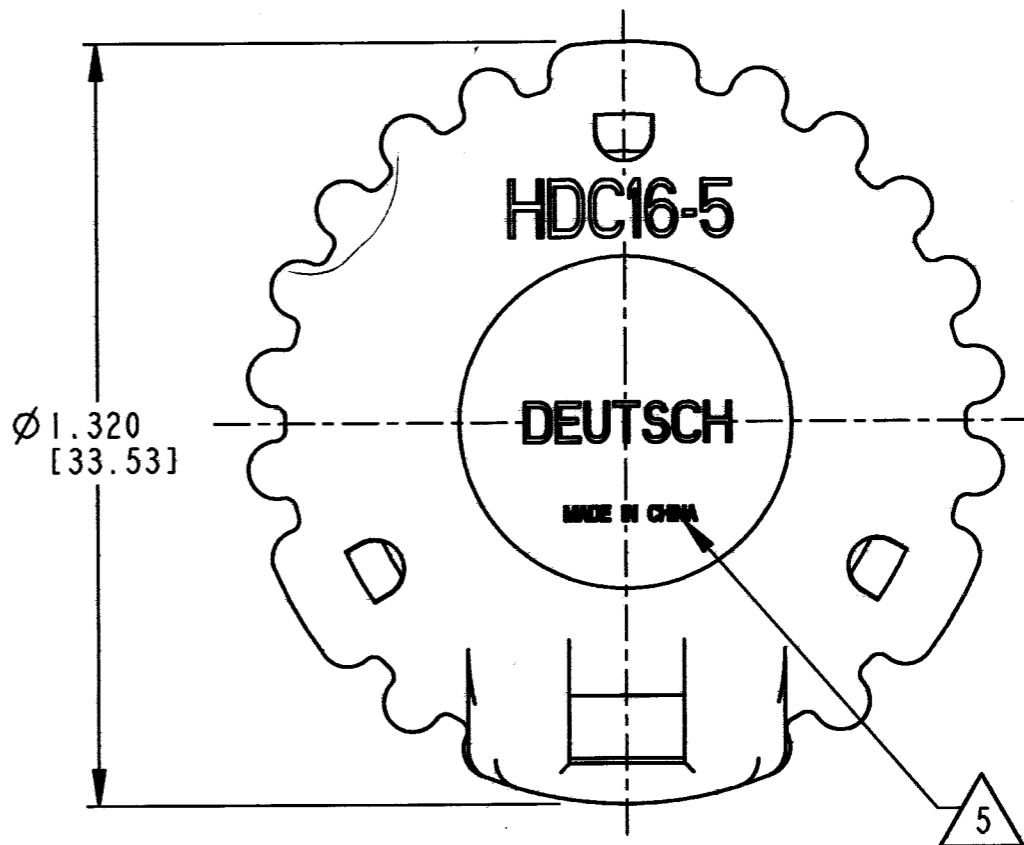
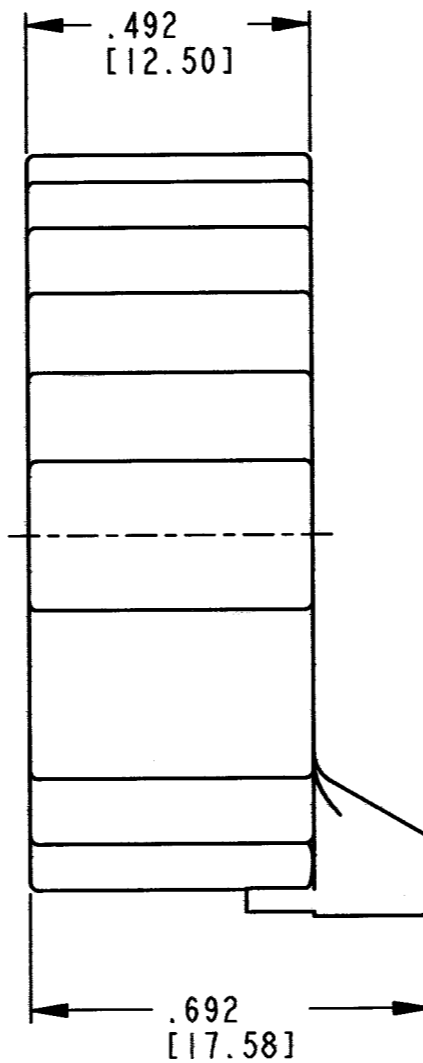
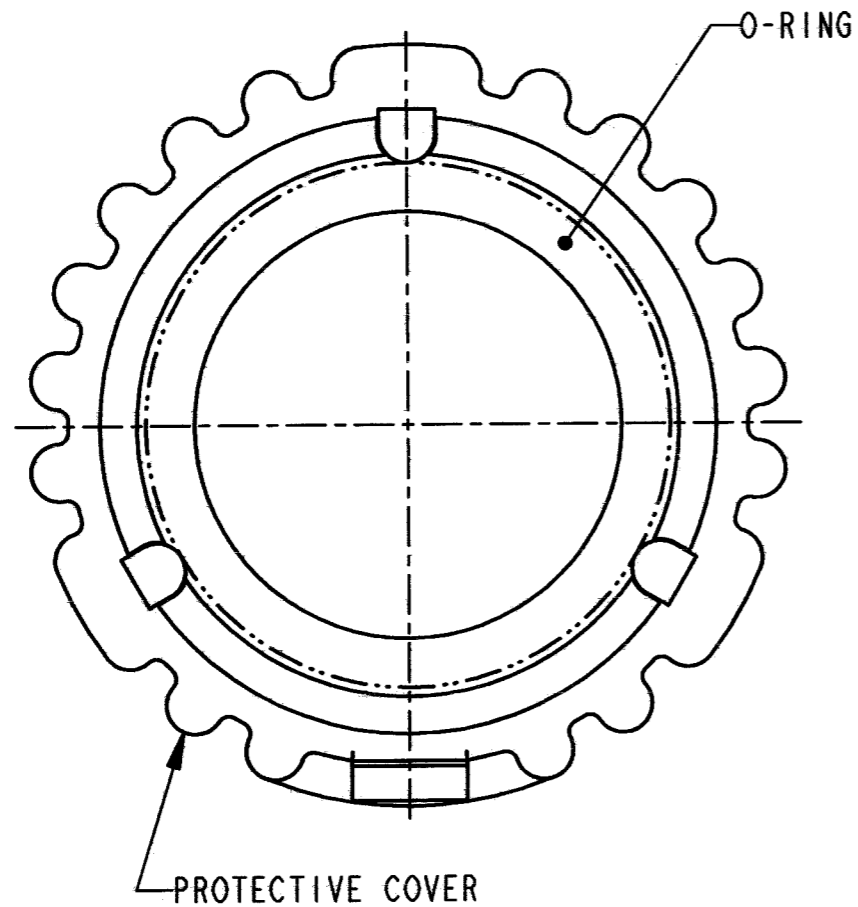


3D VIEW



REV
C

HDC16-5

REVISIONS

SYM	DESCRIPTION	DATE	APPROVED
NC	NEW RELEASE PER E.O. A12926	1-18-93	J.A.
A	REVISED PER E.O. P19406	11-17-06	R.D.R.
B	REVISED PER E.O. P20888	7-7-11	R.D.R.
C	REVISED PER E.O. P21509	11/28/12	Dm

5 COUNTRY OF ORIGIN IF OTHER THAN USA AND MEXICO.
EXAMPLE: MADE IN CHINA

4. COLOR: GRAY

3. MATERIAL: CAP: PLASTIC; SEAL: RUBBER


2. DIMENSION TOLERANCE: ±.025 [.64].

NOTES: 1. DIMENSIONS ARE IN INCHES [mm].

SIGNATURE & DATE	
DR	A. MALAGON 06NOV06
CHK	<i>[Signature]</i> 11/28/12
PE	<i>[Signature]</i> 11/28/12
APPD	<i>[Signature]</i> 11/28/12
SCALE	NONE WT

PROTECTIVE COVER
FOR RECEPTACLE
SIZE 5
HD10 SERIES

ENVELOPE

EP	MATL. CODE
 3850 INDUSTRIAL AVE. HEMET, CA 92545	
B	HDC16-5
DWG SIZE	CODE 11139 SHEET OF