



P/N 64-304121-00 64-Pin 0.5mm TQFP-to-0.8mm QFP Adapter

FEATURES

- A cost-effective means of upgrading without changing your PCB layout.

GENERAL SPECIFICATIONS

- BOARD MATERIAL: 0.062 thick FR-4 with 1-oz. Cu traces, both sides
- PINS: 301 full-hard Stainless Steel
- PIN PLATING: 200 μ [5.08 μ] Sn/Pb 90/10 MIL-P-81728 over 100 μ [2.54 μ] Ni per SAE AMS-QQ-N-290
- OPERATING TEMPERATURE: 221°F [105°C]



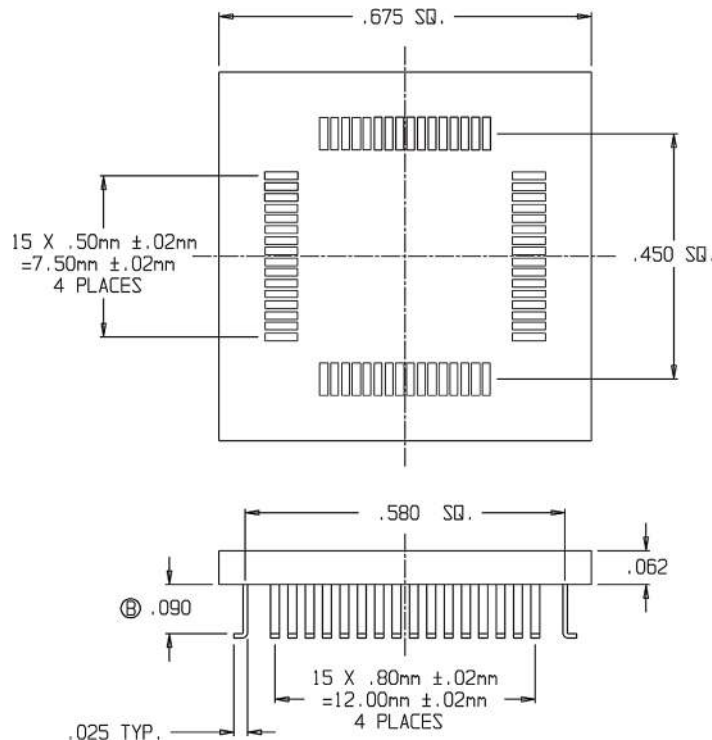
CUSTOMIZATION: In addition to the standard products shown on this page, Aries specializes in custom design and production. Special materials, platings, sizes, and configurations can be furnished, depending on the quantity. **NOTE:** Aries reserves the right to change product general specifications without notice.

ALL DIMENSIONS: INCHES [MILLIMETERS]
ALL TOLERANCES: ± 0.005 [0.13] UNLESS OTHERWISE SPECIFIED

ORDERING INFORMATION

64-304121-00

64-304121-00-P = Panelized Version



Bristol, PA 19007-6810 USA
TEL (215) 781-9956 • FAX (215) 781-9845
WWW.ARIESELEC.COM • INFO@ARIESELEC.COM

