

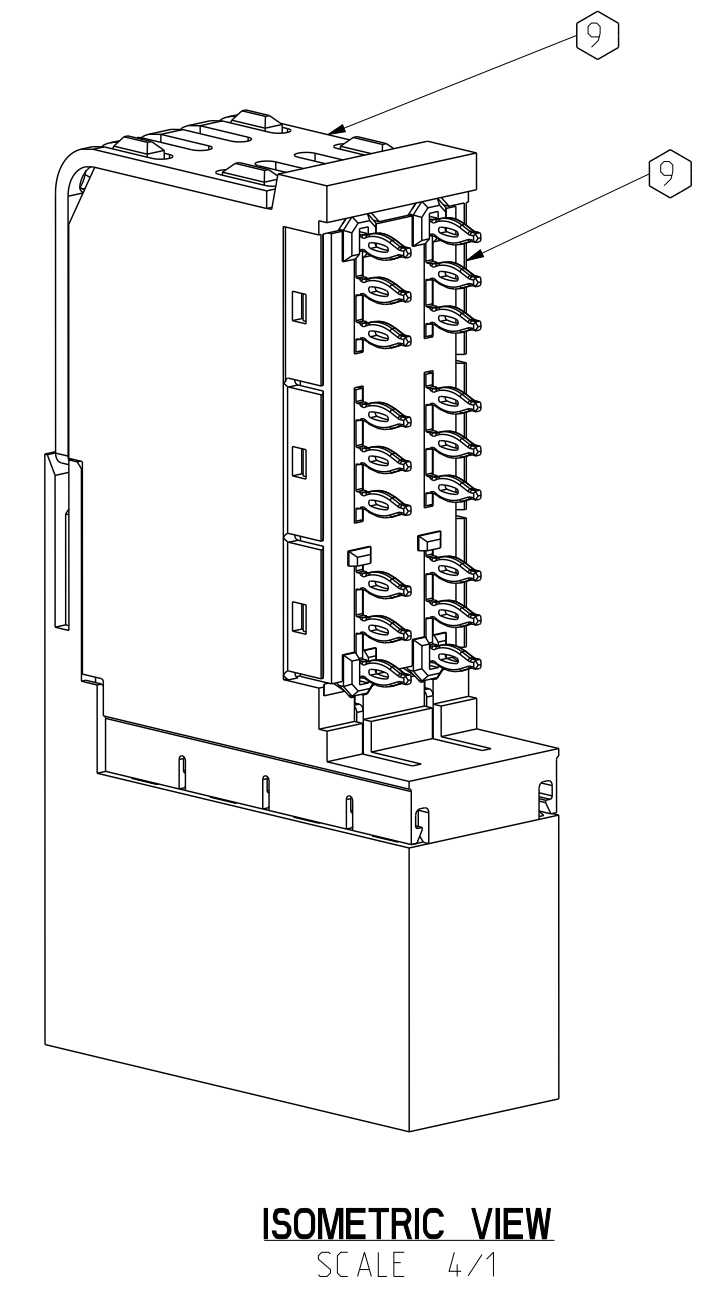
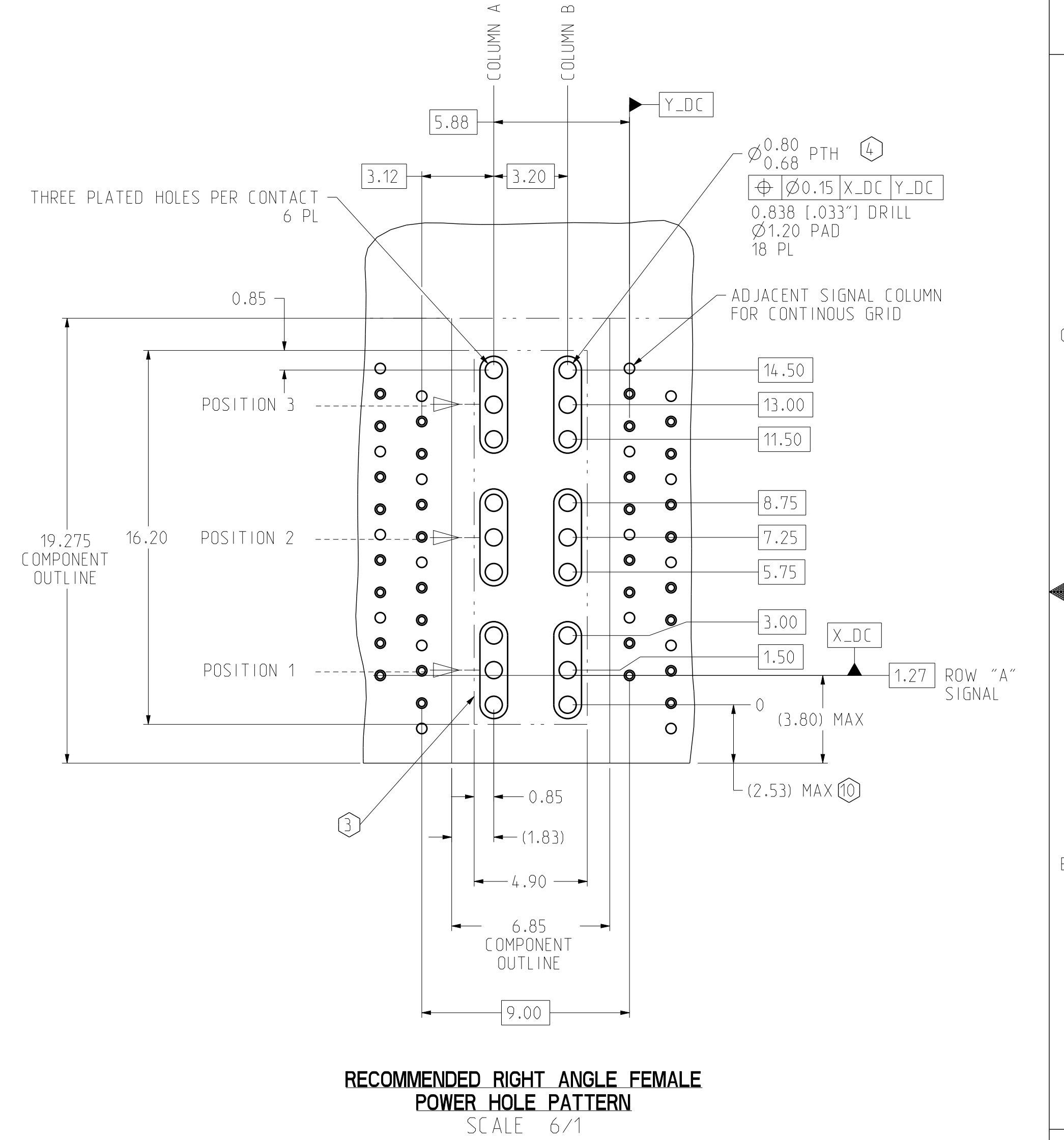
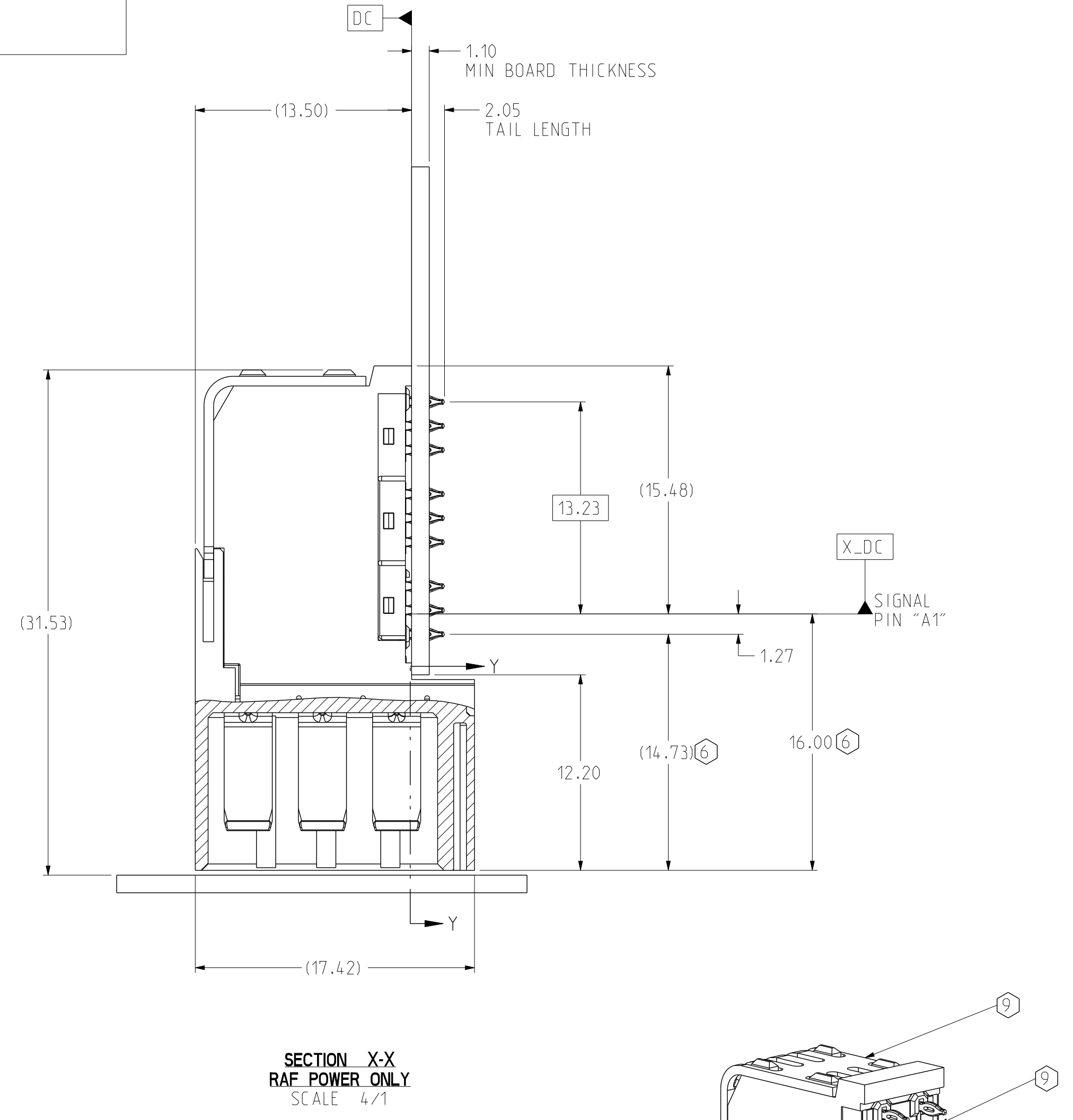
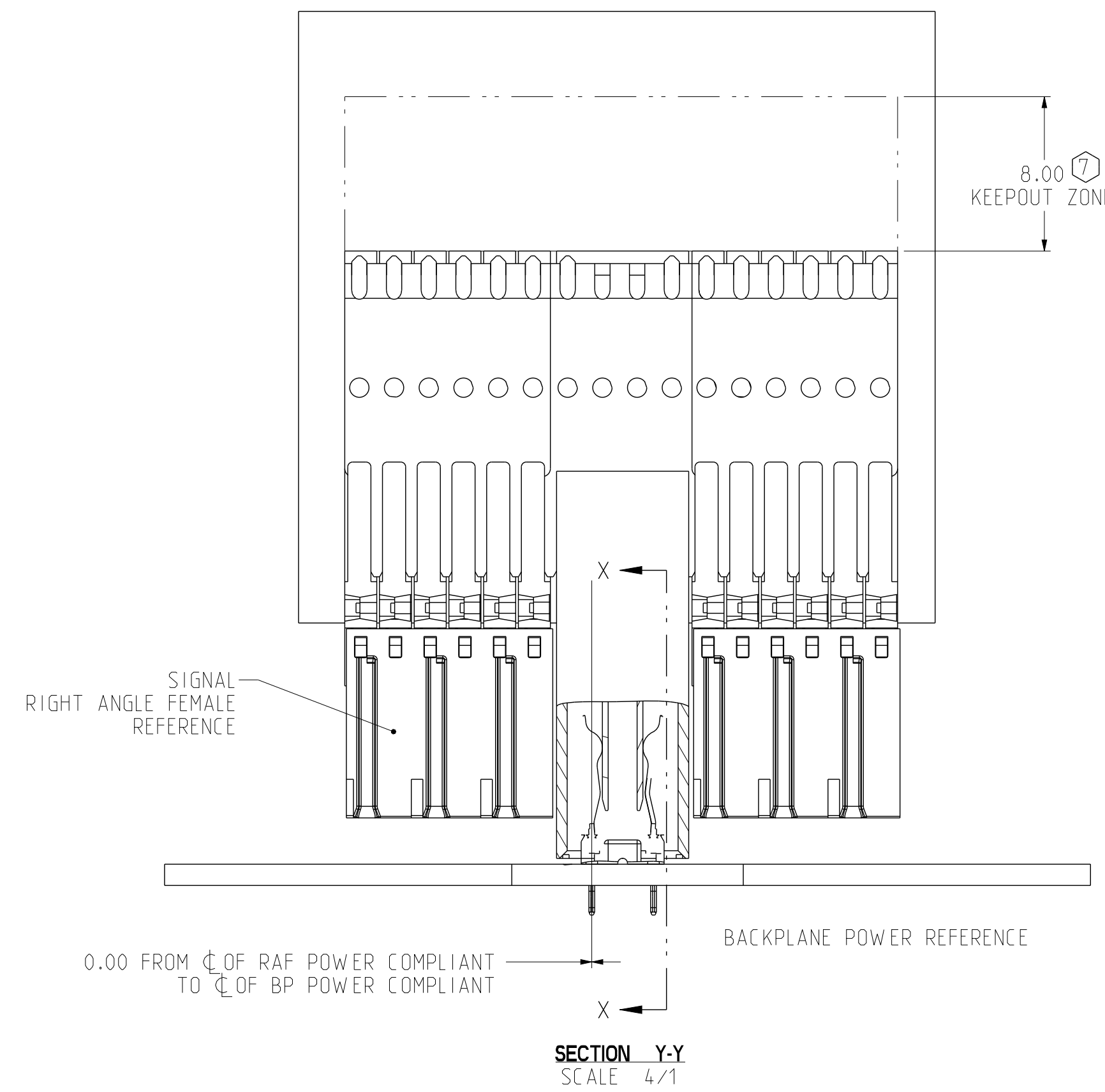
|      |     |                   |                                     |        |            |            |
|------|-----|-------------------|-------------------------------------|--------|------------|------------|
| ZONE | REV | ECN NUMBER        | DESCRIPTION                         | BY     | DATE       | APPROVED   |
| ALL  | A   | MHAN-9HHNBS.VER01 | NEW RELEASE                         | HCL-JP | 04/01/2014 | M.HANRAHAN |
|      | B   | LCUN-9NZKRN.VER01 | ADDED PLATING OPTION "K" TO TABLE 1 | HCL-VR | 09/23/2014 | L.CURRAN   |
| B1   | C   | HHUG-21020502     | ADDED DIM (2.53) MAX & NOTE #10.    | HCL-PB | 02/25/2021 | H.HUANG    |

DRW NO. C-928-4000-600 SH 1 REV C

TABLE 1

XCede HD RIGHT ANGLE FEMALE POWER CONNECTOR  
 ⑧ ASSEMBLY PART NUMBER ASSIGNMENT  
 928 - 4 0 0 0 - A X X  
 XCede HD POWER MODULE LEAD OFF  
 4 = 4 PAIR  
 CONTACT LENGTH  
 7 = 4.5mm  
 8 = 5.5mm  
 PLATING:  
 D = NI SULFAMATE, STANDARD GOLD, LEADFREE  
 E = NI SULFAMATE, HIGH GOLD, LEADFREE  
 H = NANO NI, STANDARD GOLD, LEADFREE  
 J = NANO NI, HIGH GOLD, LEADFREE  
 K = NI SULFAMATE, HIGH GOLD, LEADED, 60-40 TIN-LEAD

D  
C  
B  
A



- NOTES:
1. CORRESPONDING BP DRAWING : C-968-4100-500
  2. USE 7.2mm NOMINAL FOR DAUGHTERCARD LAYOUT.
  3. NO SURFACE TRACES ALLOWED IN KEEPOUT ZONE.
  4. STATED PAD SIZE MAY REQUIRE FILLING. SEE TB-2237 FOR ROUTING GUIDELINES.
  5. REFER TO TB 2235 FOR XCede HD PRODUCT SPECIFICATION.
  6. NOMINAL SEATED DIMENSION.
  7. FOR CONNECTOR REPAIRABILITY, USE KEEPOUT ZONE.
  8. REFER DRAWING C-977-4000-600 FOR NON-STANDARD LOAD.
  9. ORGANIZER AND STIFFENER SHOWN FOR REFERENCE ONLY.
  10. IF THEIR IS NO SIGNAL MODULE PRESENT IN THE CONFIGURATION, PLEASE USE THIS DIMENSION (2.53) MAX.

|  |                                 |  |
|--|---------------------------------|--|
| TOLERANCES   | DESIGN 03/21/2014<br>M.HANRAHAN | <b>Amphenol TCS</b><br>A Division of Amphenol Corporation<br>200 Innovative Way, Nashua, NH 03062 603.879.3000 |
| 0.0 ±0.25  | DRAWN 03/21/2014<br>HCL-W.S     |  |
| 0.00 ±0.13   | CHK 03/21/2014<br>M.HANRAHAN    |  |
| 0.000 ± -  | APVD 03/21/2014<br>M.HANRAHAN   |  |
| ANGLES ± 3°  |                                 | TITLE<br>RIGHT ANGLE FEMALE POWER ASSEMBLY<br>XCede HD 4 PAIR, GEN 2 MINI COMPLIANT PIN                        |
| UNLESS OTHERWISE SPECIFIED DIMENSIONS ARE IN MM. DECIMAL MARKER IS A PERIOD. |                                 | PART NO.<br>SEE PART NUMBER TREE   |
| DRAWING NO.<br>C-928-4000-600  |                                 | REV<br>N/A   |
| ASSEMBLY<br>ASSEM C928-4000-600  |                                 | 1.1  |
| DRAWING<br>DRAWING C928-4000-600   |                                 | A.3  |
| SIZE D   | SCALE 1/1                       | SHEET 1 OF 1   |

INTERPRET PER ASME Y14.5M  
 CODE IDENT 31413

CUSTOMER USE  
 DRAWING

8 7 6 5 4 3 2 1