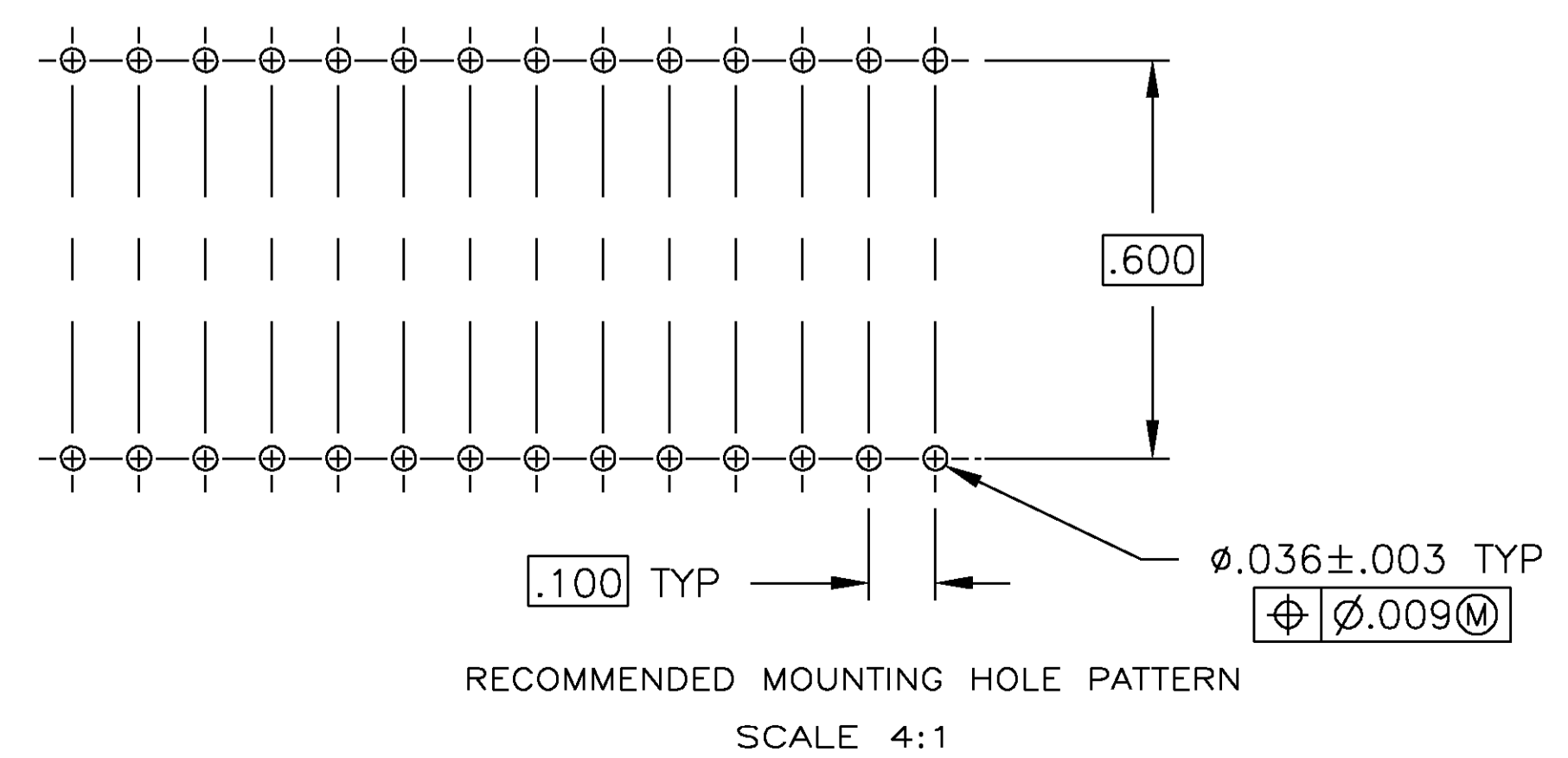
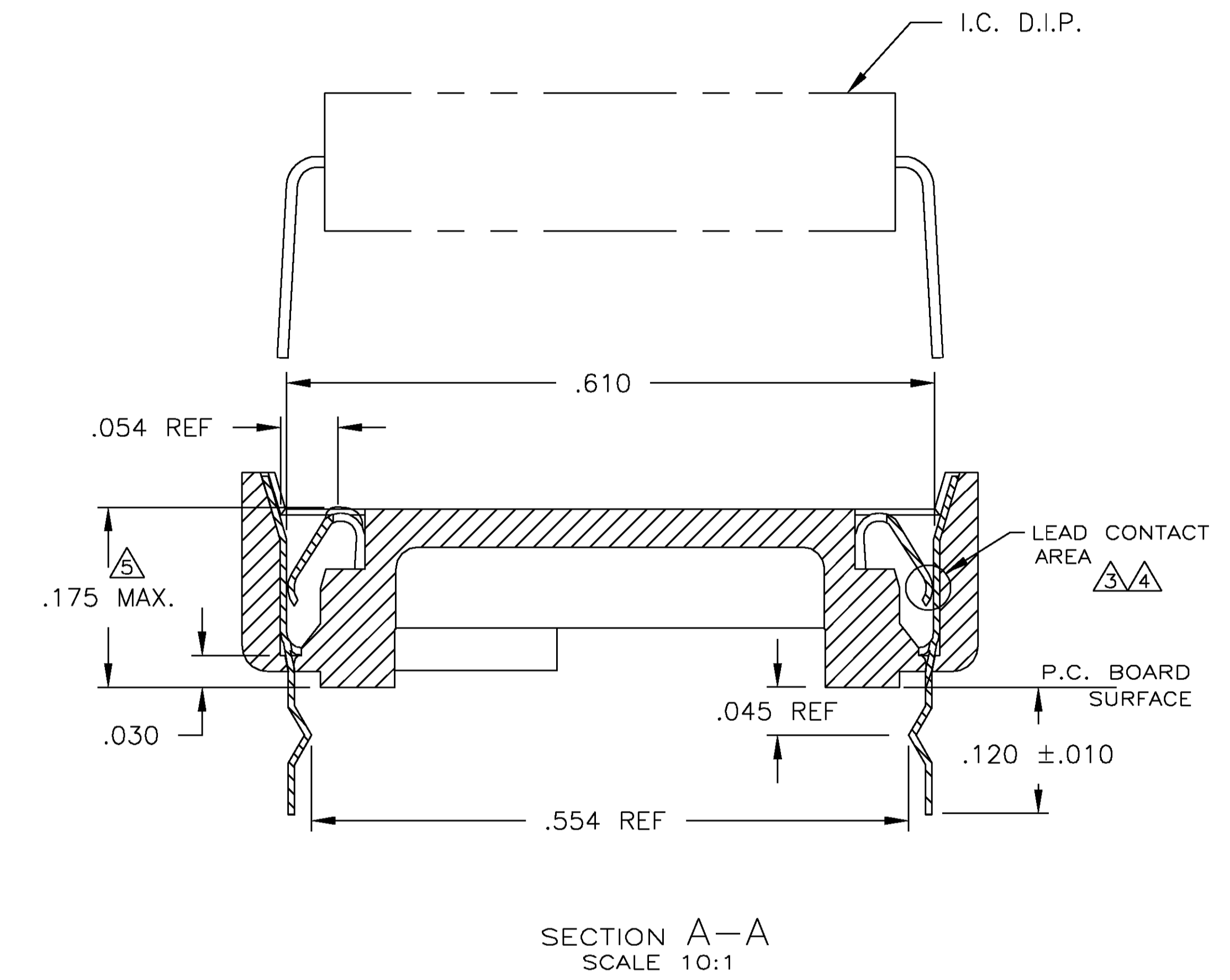
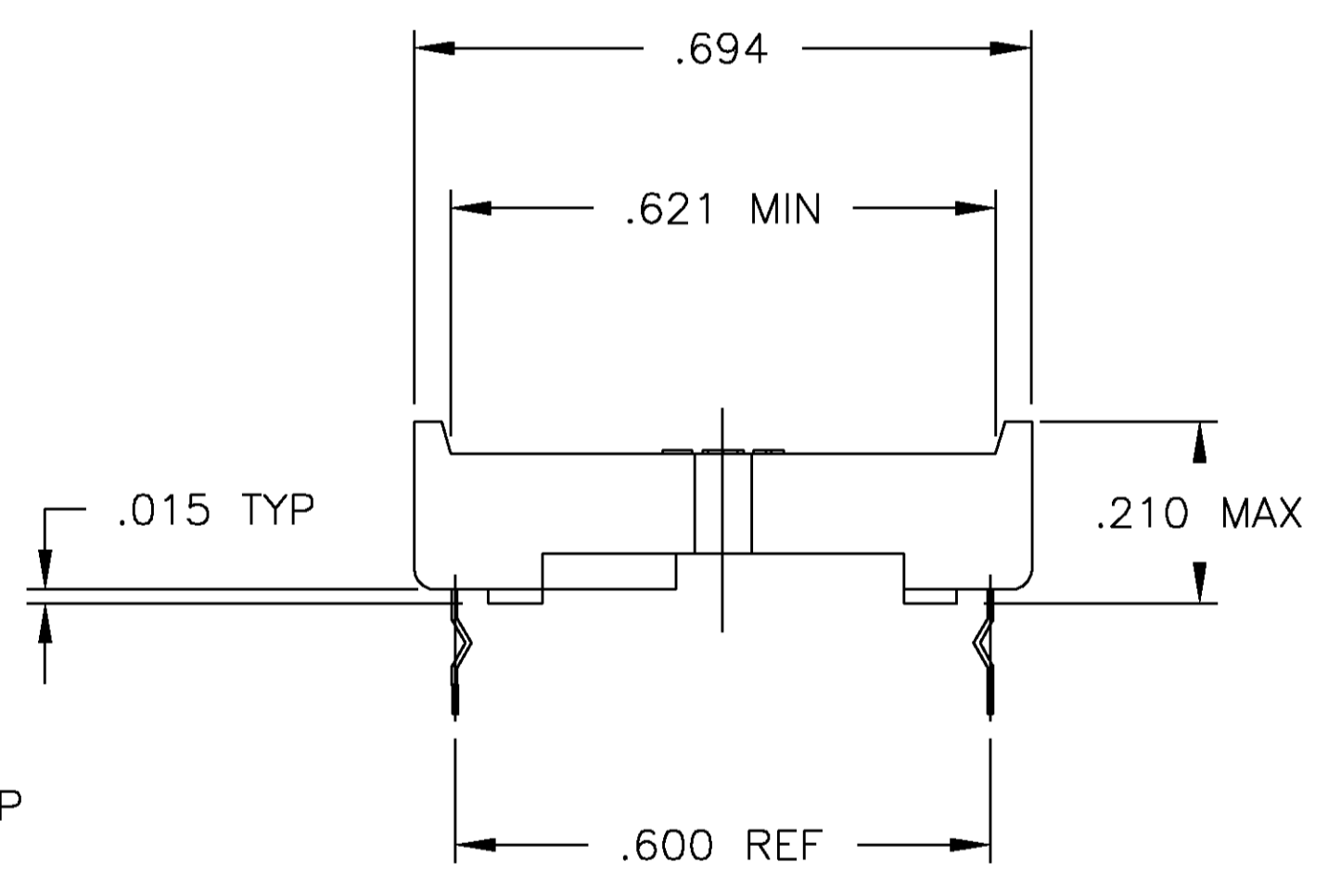
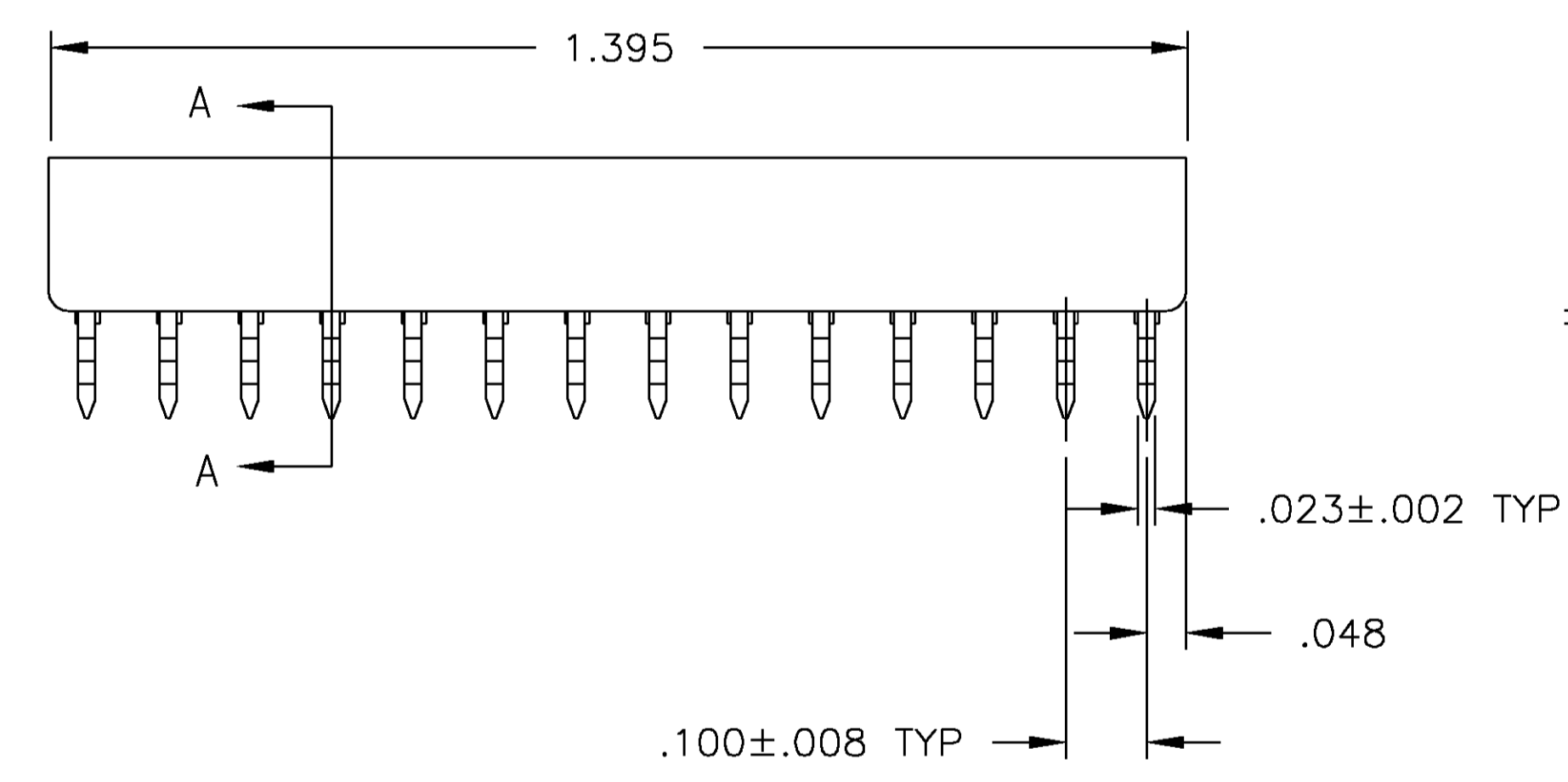
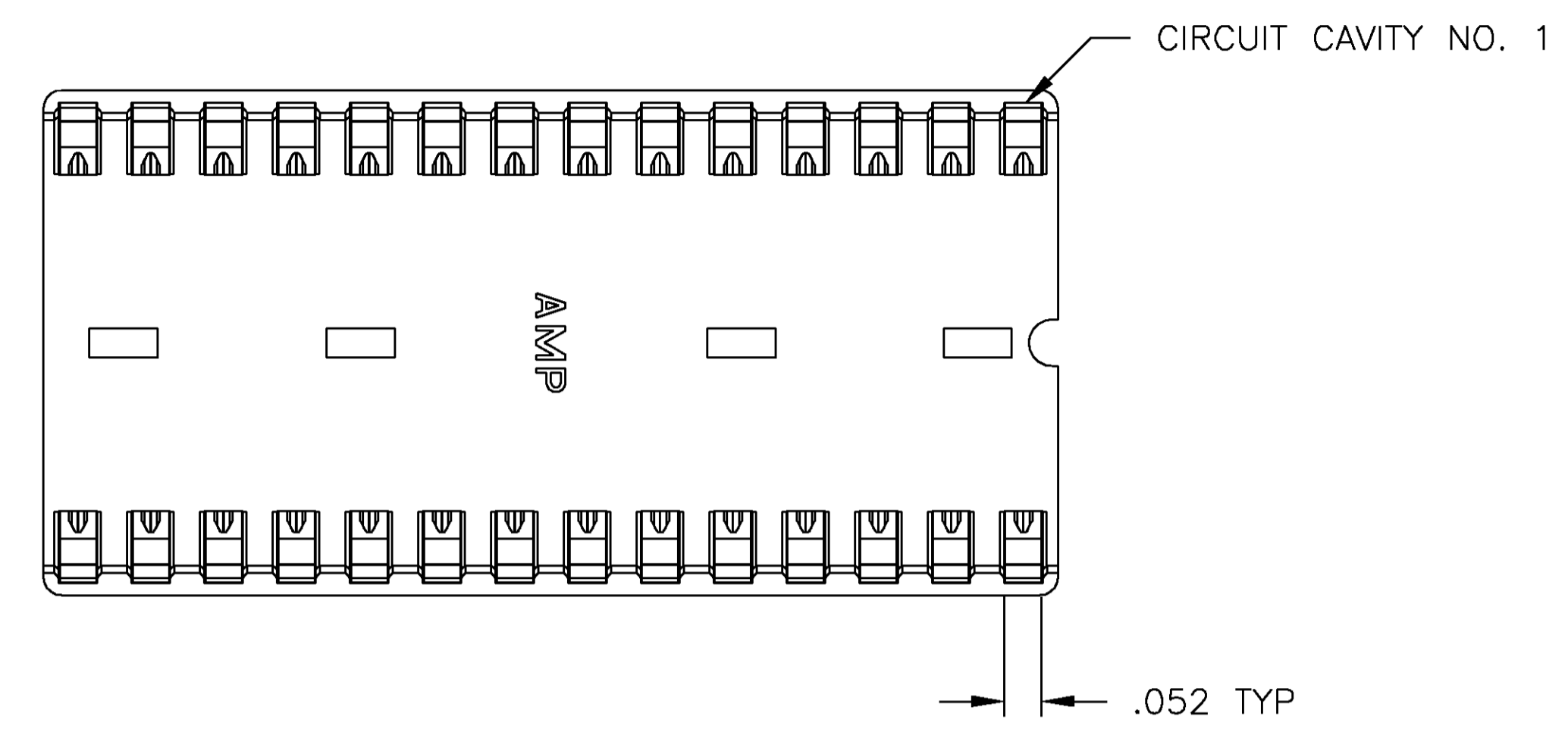


1. RECEPTACLE ACCEPTS A .008-.014 THICK I.C. LEAD.
2. TUBE LOADED.
3. TWO .000030 MIN THK. GOLD STRIPES IN CONTACT AREA WITH TIN-LEAD (93/7) ON CONTACT LEGS, BALANCE OF CONTACT NICKEL PLATED.
4. TWO .000015 MIN THK. GOLD STRIPES IN CONTACT AREA WITH TIN-LEAD (93/7) ON CONTACT LEGS, BALANCE OF CONTACT NICKEL PLATED.
5. MAXIMUM DIMENSION FOR I.C. SEATING PLANE.



OBSOLETE

| | | | |
|----------------------------------------|--------------------|------------------------------------------|------------|
| 3 | PHOS.BRZ. .006 THK | GLASS-FILLED THERMOPLASTIC, 94V-O, BLACK | 2-641267-4 |
| TINNED | PHOS.BRZ. .006 THK | GLASS-FILLED THERMOPLASTIC, 94V-O, BLACK | 2-641267-3 |
| 4 | BE.CU. .006 THK | GLASS-FILLED THERMOPLASTIC, 94V-O, BLACK | 2-641267-2 |
| TINNED | BE.CU. .006 THK | GLASS-FILLED THERMOPLASTIC, 94V-O, BLACK | 2-641267-1 |
| CONTACT FINISH | CONTACT MAT'L | HOUSING MATERIAL | PART NO. |
| THIS DRAWING IS A CONTROLLED DOCUMENT. | | | |
| DIMENSIONS: INCHES | | TOLERANCES UNLESS OTHERWISE SPECIFIED: | |
| 0 PLC ± - | | APVD H WYNKOOP | |
| 1 PLC ± - | | 17NOV00 | |
| 2 PLC ± - | | NAME | |
| 3 PLC ± .005 | | H WYNKOOP | |
| 4 PLC ± - | | PRODUCT SPEC | |
| ANGLES ± α-30° | | 108-1066 | |
| MATERIAL SEE TABLE | | APPLICATION SPEC | |
| | | 114-1049 | |
| | | SIZE CAGE CODE DRAWING NO | |
| | | A1 00779 641267 | |
| | | RESTRICTED TO | |
| | | - | |
| | | CUSTOMER DRAWING | |
| | | SCALE 5:1 SHEET 1 OF 1 REV R | |