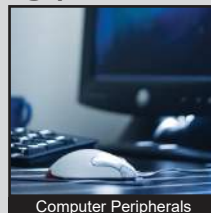
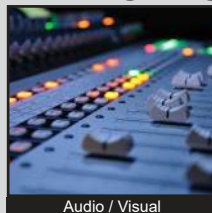


# TL1275 SERIES TACT SWITCH

ANTI-VANDAL SWITCHES  
 DETECTOR SWITCHES  
 DIP SWITCHES  
 KEYLOCK SWITCHES  
 NAVIGATION SWITCHES  
 PUSHBUTTON SWITCHES  
 ROCKER SWITCHES  
 ROTARY SWITCHES  
 SLIDE SWITCHES  
 SNAP ACTION SWITCHES  
**TACTILE SWITCHES**  
 TOGGLE SWITCHES  
 CAP OPTIONS



## APPLICATIONS / MARKETS



**RoHS**

## SPECIFICATIONS

**Contact Arrangement:** SPST  
**Contact Rating:** 50mA @ 12VDC  
**Contact Resistance:** 100mΩ Initial  
**Insulation Resistance:** 100 MΩ Min.  
**Dielectric Strength:** 250V RMS  
**Electrical Life:** 100,000 cycles  
**Operating Temperature:** -25°C to 70°C  
**Storage Temperature:** -25°C to 70°C  
**Travel:** 0.25mm  
**Actuation Force:** 350 gf  
**Panel Thickness:** 3.5mm Max.

## FEATURES & BENEFITS

- 500mm long wire leads with connectors
- Single color and bi-color LED options
- Sharp tactile response
- Panel Mount

## PART NUMBER CONFIGURATOR

Series	Actuator	Housing	Termination	Contact Material	Lens Style	LED Color
TL1275	C - Snap-in Bezel	A2 - Standard Housing	WA500 - 500mm Long Wire Leads	Q - Silver	P - Illuminated Power Symbol	R - Red B - Blue G - Green W - White Y - Yellow RG - Red-Green

Specifications subject to change without notice 9.28.2022



**E-SWITCH®**

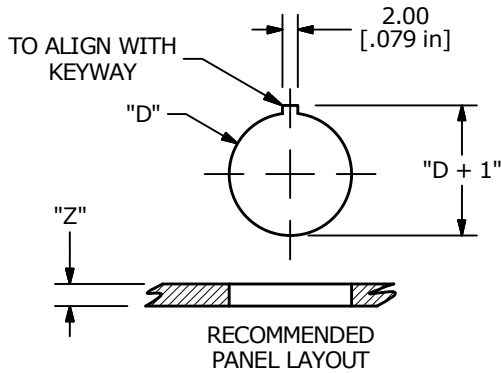
www.e-switch.com

800.867.2717

1

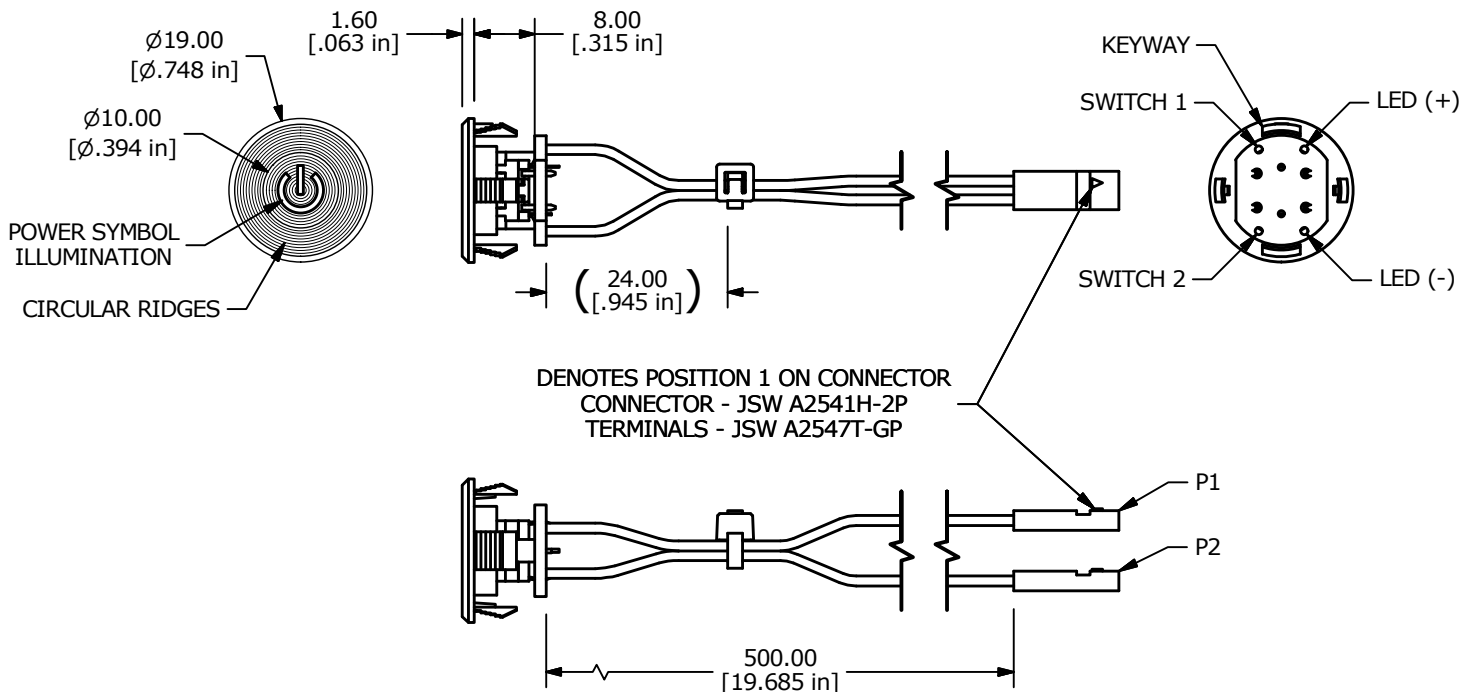
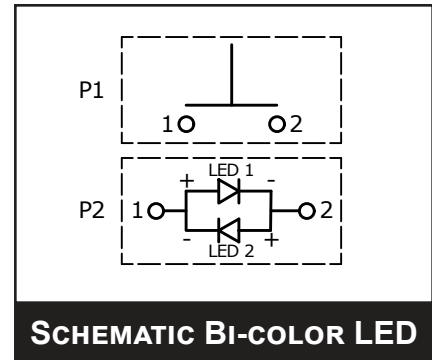
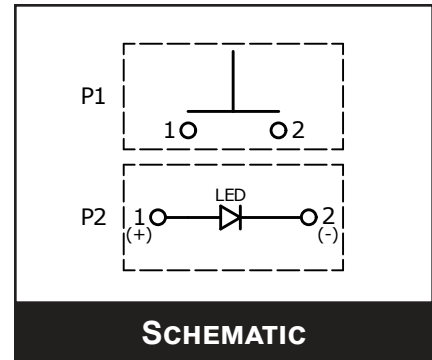
# TL1275 SERIES TACT SWITCH

## BODY DIMENSIONS



"Z"	"D"
0-0.5	16.0-16.1
0.5-2.0	16.1-16.2
2.0-2.5	16.2-16.4
2.5-3.0	16.4-16.6
3.0-3.5	16.6-16.8

WIRE CHART			
CONNECTOR	POSITION	SWITCH	WIRE
P1	1	1	300V 105°C 26 AWG AWM, BLACK
P1	2	2	300V 105°C 26 AWG AWM, BLACK
P2	1	+	300V 105°C 26 AWG AWM, RED
P2	2	-	300V 105°C 26 AWG AWM, GREEN



ANTI-VANDAL SWITCHES  
DETECTOR SWITCHES  
DIP SWITCHES  
KEYLOCK SWITCHES  
NAVIGATION SWITCHES  
PUSHBUTTON SWITCHES  
ROCKER SWITCHES  
ROTARY SWITCHES  
SLIDE SWITCHES  
SNAP ACTION SWITCHES  
TACTILE SWITCHES  
TOGGLE SWITCHES  
CAP OPTIONS