

## Microphone coupon board based on the MP23AB02B analog MEMS microphone

Data brief



### Description

The STEVAL-MKI139V3 is a daughterboard containing 4 MP23AB02B analog MEMS microphones. The coupon concept allows easy performance testing of ST MEMS microphones. It is possible to detach the single PCBs hosting each microphone.

### Features

- 4 x MP23AB02B bottom port digital MEMS microphones
- V supply from 1.6 to 3.6 V
- 120 dB SPL acoustic overload point
- Omnidirectional sensitivity
- Frequency range: 100 Hz - 10 kHz
- 64 dB of SNR
- THD < 0.5% @ 94 dB SPL, 1 kHz
- Sensitivity: -38 dBV
- RoHS compliant

# 1 Schematic diagrams

Figure 1: STEVAL-MKI139V3 coupon schematic diagram

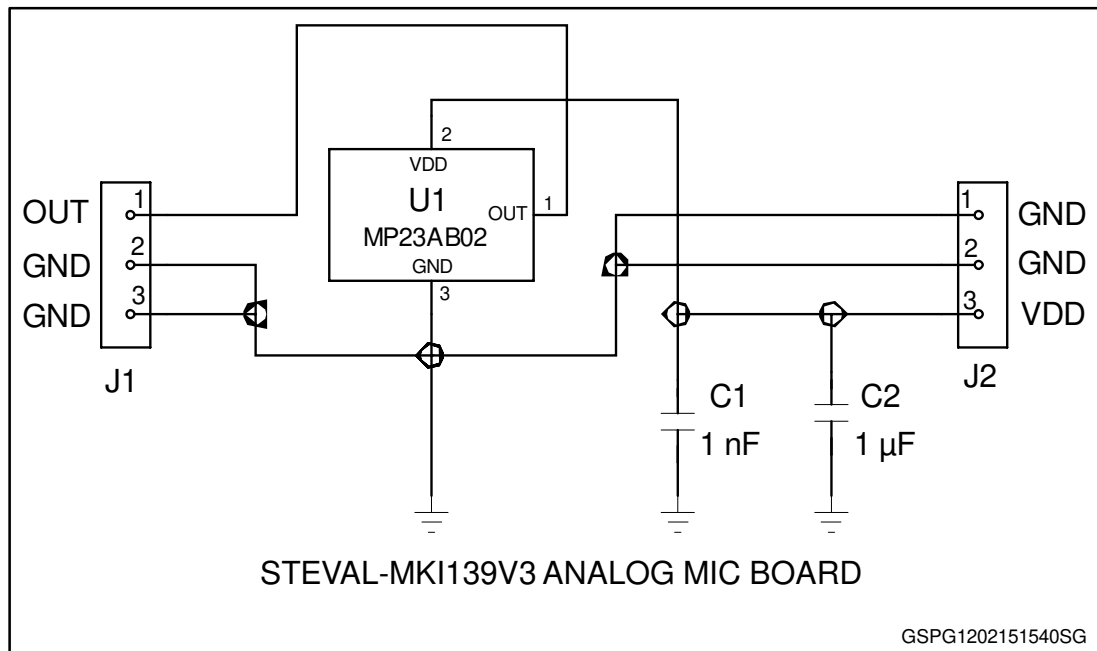
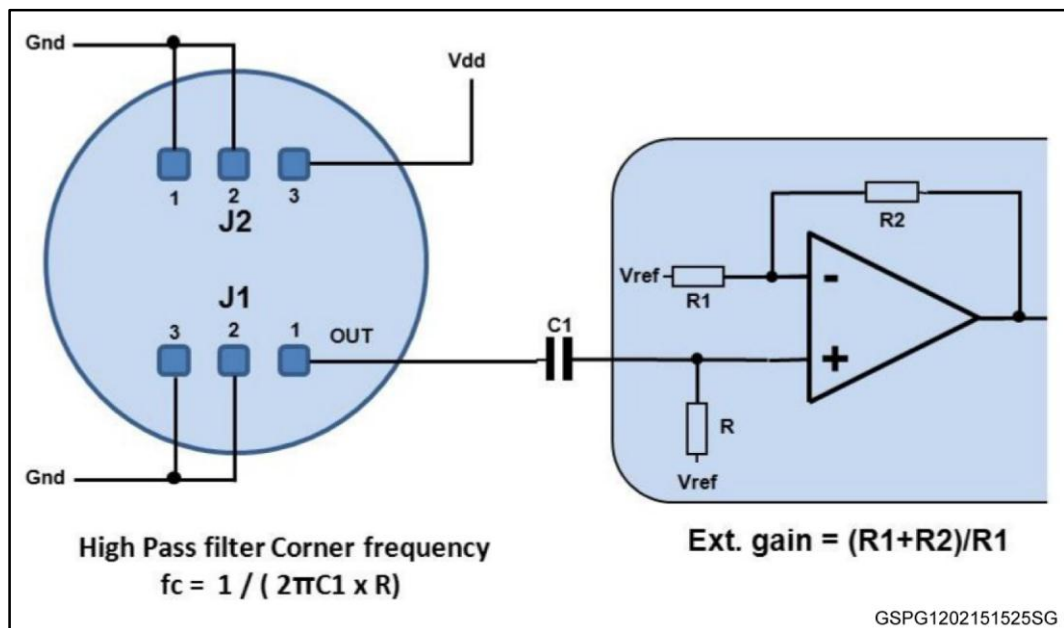


Figure 2: STEVAL-MKI139V3 example of external electrical connections



## 2 Revision history

Table 1: Document revision history

Date	Rev	Changes
24-Feb-2015	1	First release.

**IMPORTANT NOTICE – PLEASE READ CAREFULLY**

STMicroelectronics NV and its subsidiaries ("ST") reserve the right to make changes, corrections, enhancements, modifications, and improvements to ST products and/or to this document at any time without notice. Purchasers should obtain the latest relevant information on ST products before placing orders. ST products are sold pursuant to ST's terms and conditions of sale in place at the time of order acknowledgement.

Purchasers are solely responsible for the choice, selection, and use of ST products and ST assumes no liability for application assistance or the design of Purchasers' products.

No license, express or implied, to any intellectual property right is granted by ST herein.

Resale of ST products with provisions different from the information set forth herein shall void any warranty granted by ST for such product.

ST and the ST logo are trademarks of ST. All other product or service names are the property of their respective owners.

Information in this document supersedes and replaces information previously supplied in any prior versions of this document.

© 2015 STMicroelectronics – All rights reserved