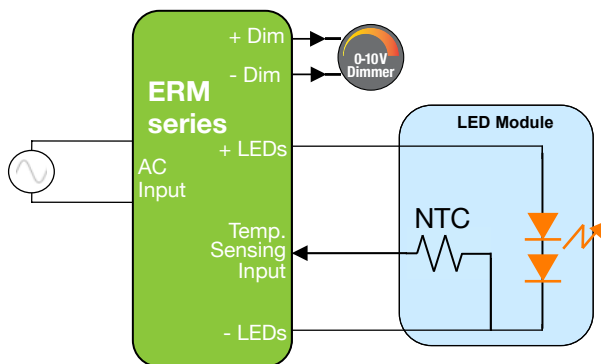


High Power Density Constant Current LED Drivers with 0-10 V Dimming

| Input Voltage | Max. Output Power | Output Voltage | Output Current | Efficiency | Max. Case Temperature | THD | Power Factor | Dimming Method | Dimming Range |
|-----------------------|-------------------|----------------|--------------------|-------------------|-----------------------------|-------|--------------|----------------|-----------------------|
| 120 & 277 Vac nominal | 70 W | 21 to 82 Vdc | 700 mA to 2.1 A CC | up to 90% typical | 90°C (measured at hot spot) | < 20% | > 0.9 | 0-10 V | 10 - 100% (% of Iout) |

CC: Constant Current



Metal Case
L 81.5 x W 56.2 x H 31.5 mm
(L 3.21 x W 2.21 x H 1.24 in)

FEATURES

- Very High power density in the market: 8.2 W/in³
- Protections: output open load, over-current and short-circuit (hiccup), and over-temperature with auto recovery
- Conducted and radiated EMI: FCC CFR Title 47 Part 15 compliant with Class B at 120 Vac and Class A at 277 Vac
- Complies with ENERGY STAR® luminaire specification and DLC (DesignLight Consortium®) technical requirements
- IP64-rated case with silicone-based potting
- Lifetime: 50,000 hours min at 70°C case temperature
- 90°C maximum case hot spot temperature
- Class 2 power supply



| ERP Part Number | Nominal Input Voltage (Vac) | Iout (mA) | Max Output Power (W) | Output Voltage Range (Vdc) | |
|--------------------------------|-----------------------------|-----------|----------------------|----------------------------|-----|
| | | | | Min | Max |
| ERM050: 40 to 50 W | | | | | |
| ERM050W-1050-42 | 120 & 277 | 1050 | 44.1 | 32 | 42 |
| ERM050W-1200-42 | 120 & 277 | 1200 | 50.4 | 32 | 42 |
| ERM050W-1800-28 | 120 & 277 | 1800 | 50.4 | 21 | 28 |
| ERM060: 51 to 70 W | | | | | |
| ERM060W-0700-82 ^[1] | 120 & 277 | 700 | 57.4 | 62 | 82 |
| ERM060W-1400-42 | 120 & 277 | 1400 | 58.8 | 32 | 42 |
| ERM060W-1600-42 | 120 & 277 | 1600 | 67.2 | 32 | 42 |
| ERM060W-1750-40 | 120 & 277 | 1750 | 70 | 30 | 40 |
| ERM060W-2100-28 | 120 & 277 | 2100 | 58.8 | 21 | 28 |

Notes:
1. Not class 2

APPLICATIONS

- High current COB LEDs
- High Bay Lights
- Troffers
- Outdoor LED Lighting
- Office LED Lighting
- Industrial LED Lighting

