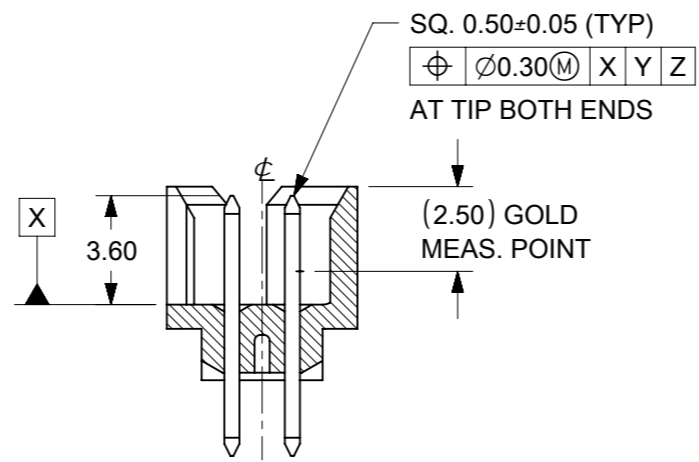
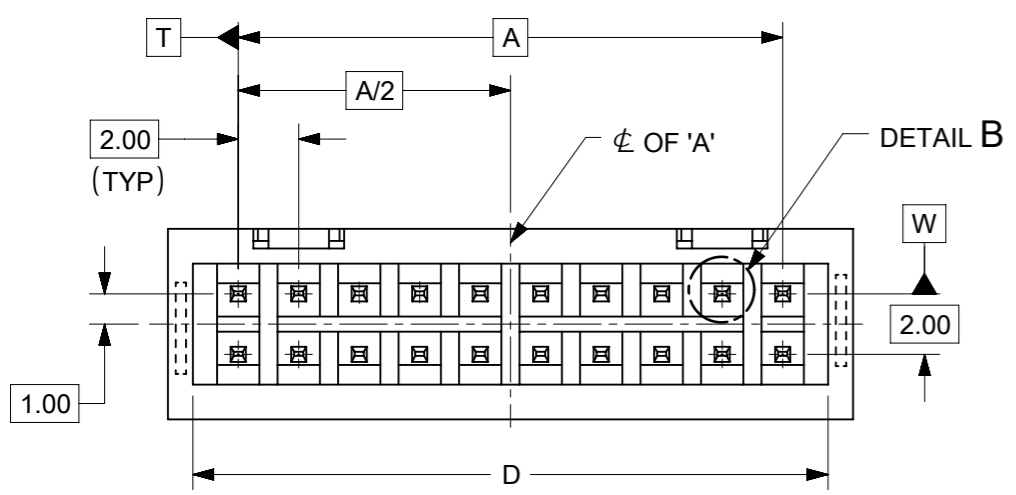
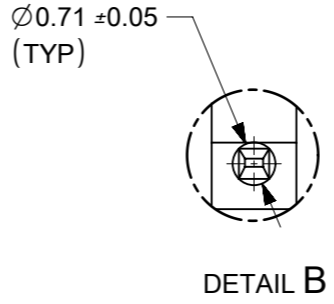
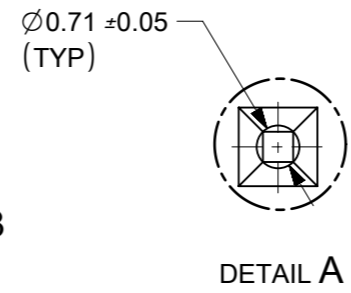
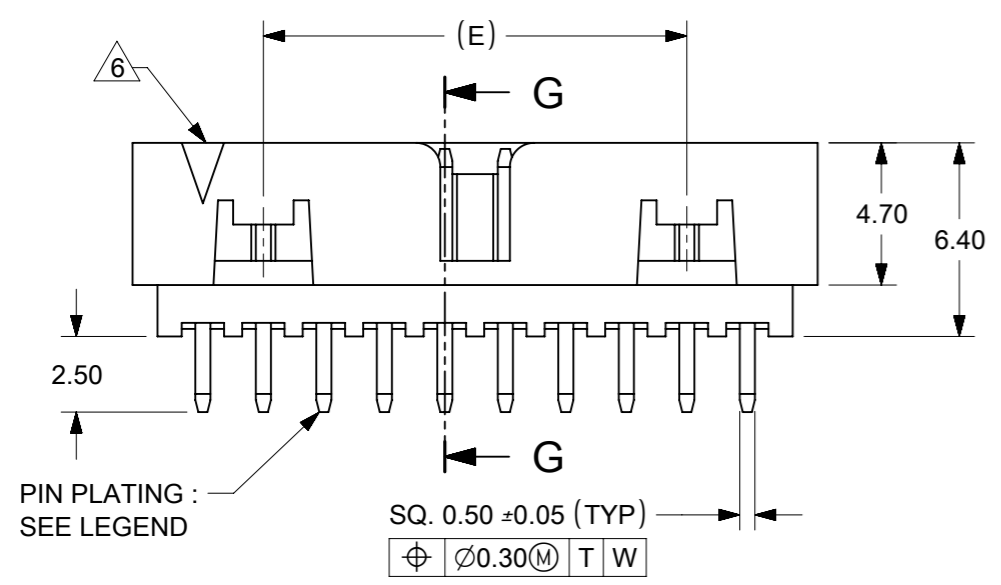


ORIENTATION OF PART IN TUBE
(FOR THE REFERENCE OF PART/TUBE ASSEMBLY)

- NOTES:
- FOR ILLUSTRATION PURPOSES, 20 CIRCUIT SIZE WAFER IS SHOWN.
 - MATERIAL :
HOUSING : GLASS-FILLED NYLON, UL94V-0, COLOR BLACK.
PIN : 0.50mm SQ. PHOSPHOR BRONZE.
 - PRODUCT SPECIFICATION PS-87831-027 APPLIES.
 - WITH CENTRE POLARISATION SLOT FOR 87831-6120.
 - NO SIDE LOCKING SLOT FROM 6 TO 12 CKT SIZE.
 - CKT 6 HAS NO IDENTIFICATION TAG.
 - THIS HEADER MATES WITH MOLEX :
a) CRIMP RECEPTACLE HOUSING, 51110 SERIES WITH CRIMP TERMINAL, 50394 SERIES.
b) 2mm MILLIGRID DUAL ROW IDT, 87568 SERIES.
c) 2mm MILLIGRID DUAL ROW: 79107 (GOLD PLATED), 78787 (TIN PLATED)
 - PARTS TO BE PACKED IN TUBE WITH MOISTURE BARRIER BAG.
 - PACKAGING SPECIFICATION : FOR TUBE : PK-87831-001
FOR T&R : PK-87831-300




SECTION G-G



THIS DRAWING CONTAINS INFORMATION THAT IS PROPRIETARY TO MOLEX ELECTRONIC TECHNOLOGIES, LLC AND SHOULD NOT BE USED WITHOUT WRITTEN PERMISSION									
ADDED BTB DIST. EC NO: 619055 DRWN: SCS02 CHK'D: NMANE02 REV APPR: MIRAMAKRISHNA	GENERAL TOLERANCES (UNLESS SPECIFIED)		DIMENSION UNITS		SCALE				
			MM INCH		MM NTS				
	4 PLACES ± ±		ATSEE		DATE		2003/10/03		
	3 PLACES ± ±		CHK'D BY		DATE		2003/11/07		
	2 PLACES ± 0.2 ±		KCLING		DATE		2003/11/07		
1 PLACES ± ±		APPR BY		DATE		2003/11/07			
0 PLACES ± ±		SKTOH		DATE		2003/11/07			
ANGULAR TOL = 3.0		DRAWING SIZE		THIRD ANGLE PROJECTION					
DRAFT WHERE APPLICABLE MUST REMAIN WITHIN DIMENSIONS		A3							
SERIES		MATERIAL NUMBER		CUSTOMER					
87831		SEE TABLE		GENERAL MARKET					
DOCUMENT NUMBER		DOC TYPE		DOC PART		SHEET NUMBER			
SD-87831-011		PSD		001		1 OF 4			

OTHER OPTIONS

ASSY. P/N IN T&R	ASSY. P/N IN TUBE	CKT SIZE	PLATING OPTIONS	VOID POSITION	DIMENSIONS					
					A	B	C	D	E	(G)
----	87831-5120	12	2	1	10.00	12.85	14.65	13.00	----	----
----	87831-5220	44	2	20	42.00	44.85	46.65	45.00	38.00	----
----	87831-5320	24	2	13	22.00	24.85	26.65	25.00	18.00	----
----	87831-5420	34	2	3	32.00	34.85	36.65	35.00	28.00	----
----	87831-5520	20	2	20	18.00	20.85	22.65	21.00	14.00	----
----	87831-5620	28	2	13	26.00	28.85	30.65	29.00	22.00	----
----	87831-5720	34	2	15	32.00	34.85	36.65	35.00	28.00	----
----	87831-5820	40	2	25	38.00	40.85	42.65	41.00	34.00	----
----	87831-5920	20	2	13	18.00	20.85	22.65	21.00	14.00	----
----	87831-6020	24	2	20	22.00	24.85	26.65	25.00	18.00	----
----	87831-6120 	6	2	1	4.00	6.85	8.65	7.00	----	----
----	87831-6320	20	2	19	18.00	20.85	22.65	21.00	14.00	----


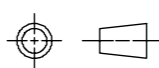
PART NUMBER LEGEND:

87831 - * * * *

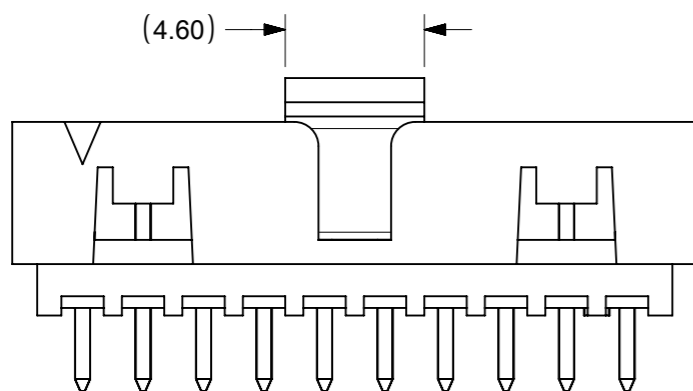
PLATING OPTION 

OPTION 1	**19 - 0.05-0.13µm/2-5µin GOLD IN CONTACT AREA AND 1.88µm/75µin MIN. TIN IN SOLDER TAIL AREA OVER 1.27µm/50µin MIN. NICKEL OVERALL.
OPTION 2	**20 - 0.38µm/15µin GOLD IN CONTACT AREA AND 1.88µm/75µin MIN. TIN IN SOLDER TAIL AREA OVER 1.27µm/50µin MIN. NICKEL OVERALL.
OPTION 3	**21 - 0.76µm/30µin GOLD IN CONTACT AREA AND 1.88µm/75µin MIN. TIN IN SOLDER TAIL AREA OVER 1.27µm/50µin MIN. NICKEL OVERALL.
OPTION 4	**36 - 2.50µm/100µin MIN. TIN OVER 1.25µm/50µin MIN. NICKEL OVERALL.

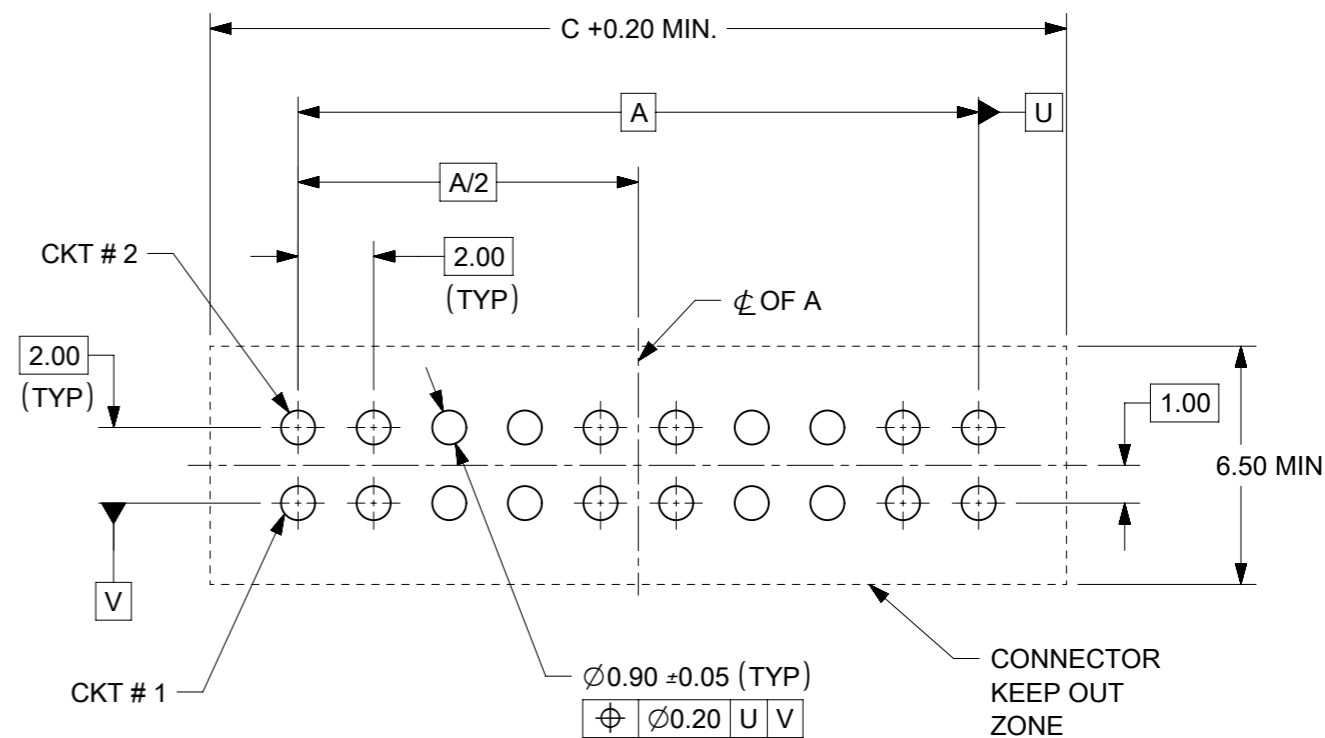
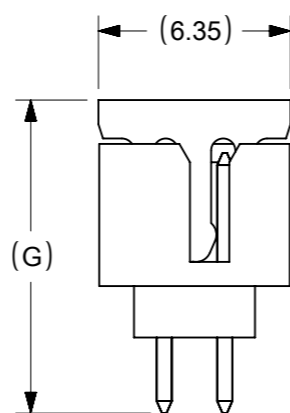
THIS DRAWING CONTAINS INFORMATION THAT IS PROPRIETARY TO MOLEX ELECTRONIC TECHNOLOGIES, LLC AND SHOULD NOT BE USED WITHOUT WRITTEN PERMISSION

ADDED BTB DIST. EC NO: 619055 DRWN: SCS02 CHK'D: NMANE02 REV APPR: MRAMAKRISHNA	2018/06/19	2019/07/09	2019/07/09	GENERAL TOLERANCES (UNLESS SPECIFIED)		DIMENSION UNITS		SCALE						
				MM	INCH	MM	NTS							
	4 PLACES	±	±	ATSEE	DATE		2003/10/03		MGRID, SHROUDED HEADER VERTICAL W/SLOT & STANDOFF					
	3 PLACES	±	±	CHK'D BY	DATE		2003/11/07							
	2 PLACES	± 0.2	±	KCLING	DATE		2003/11/07							
1 PLACES	±	±	APPR BY	DATE		2003/11/07								
0 PLACES	±	±	SKTOH	DATE		2003/11/07		PRODUCT CUSTOMER DRAWING						
ANGULAR TOL = 3.0			DRAWING SIZE		THIRD ANGLE PROJECTION		A3		SERIES: 87831 MATERIAL NUMBER: SEE TABLE CUSTOMER: GENERAL MARKET					
DRAFT WHERE APPLICABLE MUST REMAIN WITHIN DIMENSIONS			A3				DOCUMENT NUMBER: SD-87831-011		DOC TYPE: PSD		DOC PART: 001		SHEET NUMBER: 2 OF 4	

CAP INFORMATION



ILLUSTRATED VIEWS WITH CAP



RECOMMENDED PCB PATTERN

THIS DRAWING CONTAINS INFORMATION THAT IS PROPRIETARY TO MOLEX ELECTRONIC TECHNOLOGIES, LLC AND SHOULD NOT BE USED WITHOUT WRITTEN PERMISSION

EC NO: 619055 DRWN: SCS02 CHK'D: NMANE02 APPR: MRAMAKRISHNA	GENERAL TOLERANCES (UNLESS SPECIFIED)		DIMENSION UNITS		SCALE					
			MM	INCH	MM	NTS				
	4 PLACES	±		±	DRWN BY	DATE		MGRID, SHROUDED HEADER VERTICAL W/SLOT & STANDOFF		
	3 PLACES	±		±	ATSEE	2003/10/03				
	2 PLACES	± 0.2		±	CHK'D BY	DATE				
	1 PLACES	±		±	KCLING	2003/11/07		PRODUCT CUSTOMER DRAWING		
0 PLACES	±		±	APPR BY	DATE					
				SKTOH	2003/11/07		SERIES	MATERIAL NUMBER	CUSTOMER	
				ANGULAR TOL = 3.0	DRAWING SIZE	THIRD ANGLE PROJECTION	87831	SEE TABLE	GENERAL MARKET	
				DRAFT WHERE APPLICABLE MUST REMAIN WITHIN DIMENSIONS	A3		DOCUMENT NUMBER	DOC TYPE	DOC PART	SHEET NUMBER
C4							SD-87831-011	PSD	001	3 OF 4

BOARD TO BOARD (BTB) DISTANCE

HEADER	MATES WITH (RECEPTACLE)	BTB DIST.	PICTORIAL VIEW
87831	79107	6.94	
	78787	6.94	
	79108	6.94	
	79109	7.15	
	78788	7.15	

THIS DRAWING CONTAINS INFORMATION THAT IS PROPRIETARY TO MOLEX ELECTRONIC TECHNOLOGIES, LLC AND SHOULD NOT BE USED WITHOUT WRITTEN PERMISSION

DIMENSION UNITS		SCALE		CURRENT REV DESC: ADDED BTB DIST.		molex		
mm		NTS						
GENERAL TOLERANCES (UNLESS SPECIFIED)				EC NO: 619055		MGRID, SHROUDED HEADER VERTICAL W/SLOT & STANDOFF		
		MM	INCH					
4 PLACES	±		±	DRWN: SCS02	2018/06/19	PRODUCT CUSTOMER DRAWING		
3 PLACES	±		±	CHK'D: NMANE02	2019/07/09			
2 PLACES	±	0.2	±	APPR: MRAMAKRISHNA	2019/07/09	DOCUMENT NUMBER: SD-87831-011 DOC TYPE: PSD DOC PART: 001 REVISION: C4		
1 PLACE	±		±	INITIAL REVISION:				
0 PLACES	±		±	DRWN: DRWN BY	XXXX/XX/XX	MATERIAL NUMBER: 87831 CUSTOMER: GENERAL MARKET SHEET NUMBER: 4 OF 4		
ANGULAR TOL		± 3.0°		APPR: APPR BY	XXXX/XX/XX			
DRAFT WHERE APPLICABLE MUST REMAIN WITHIN DIMENSIONS		THIRD ANGLE PROJECTION		DRAWING	SERIES			
				A3-SIZE	87831			