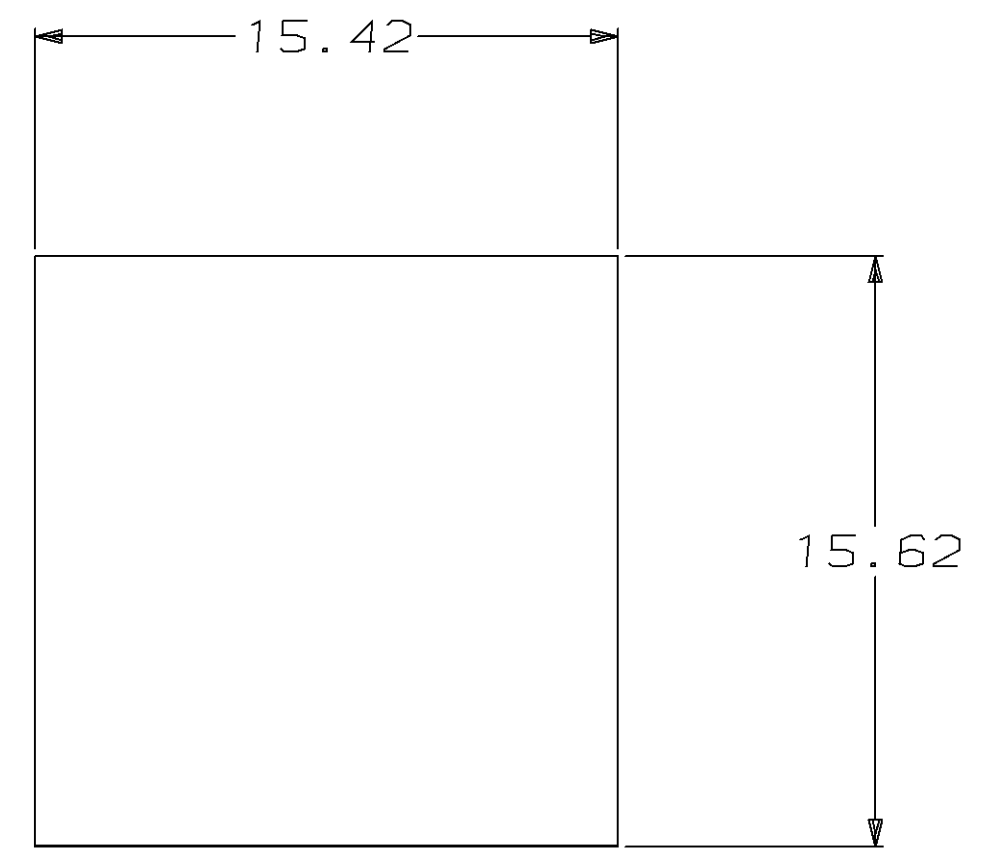
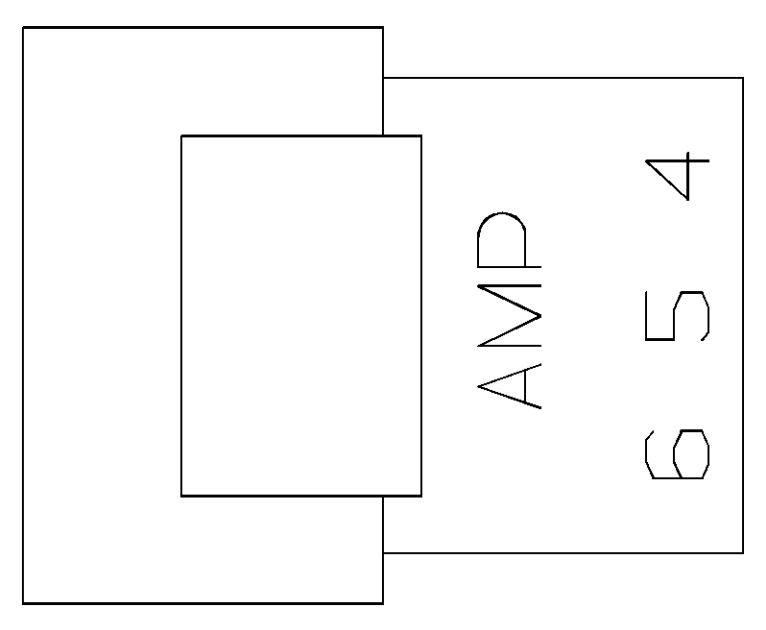
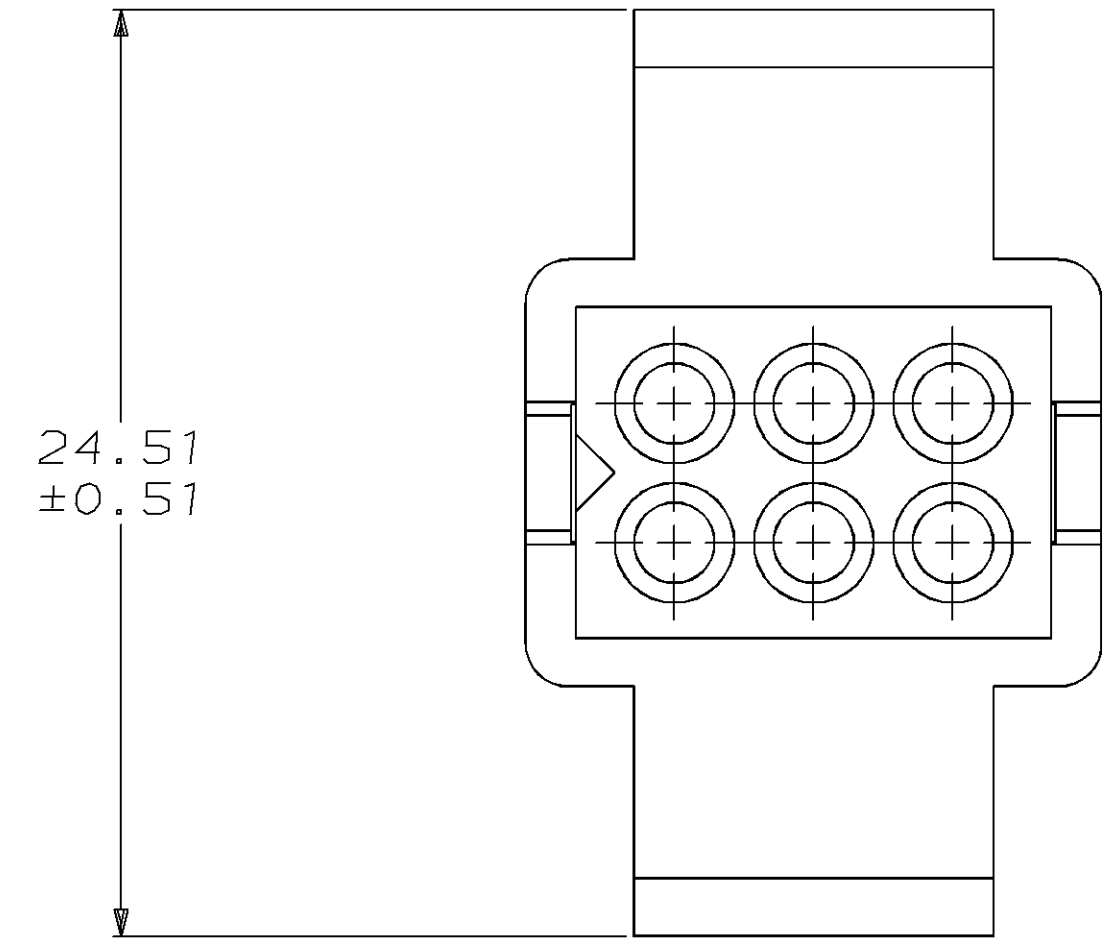
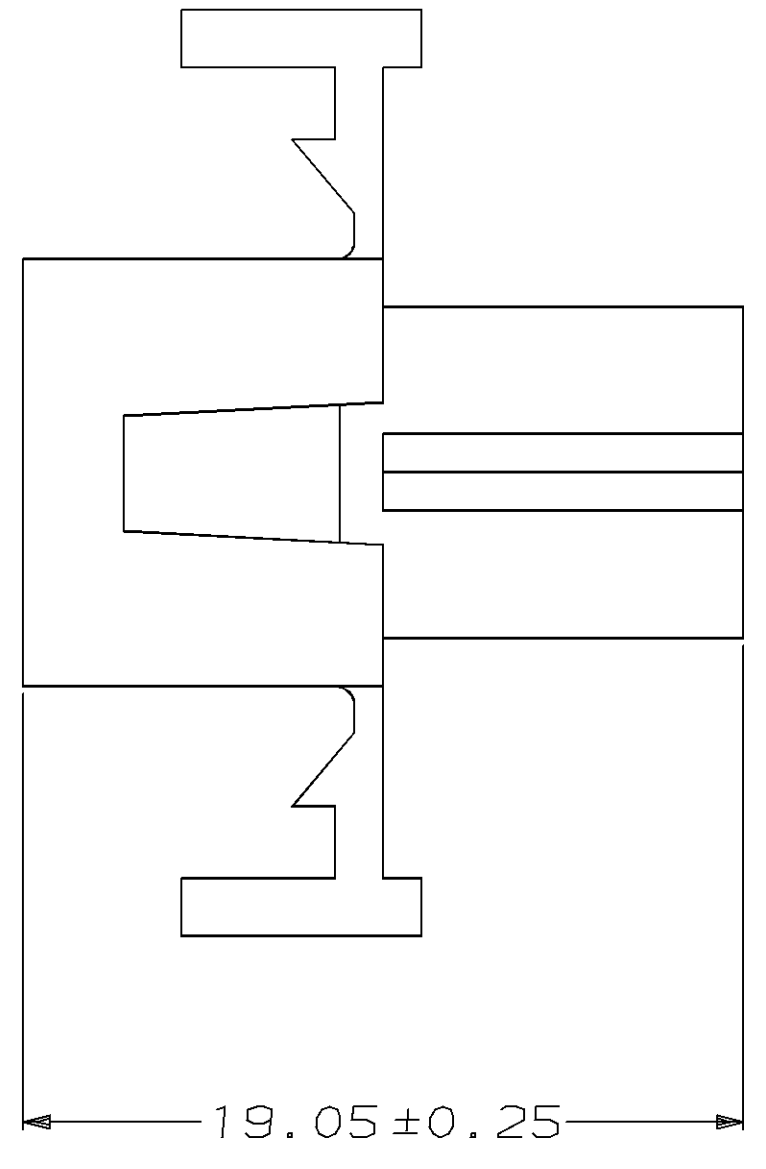
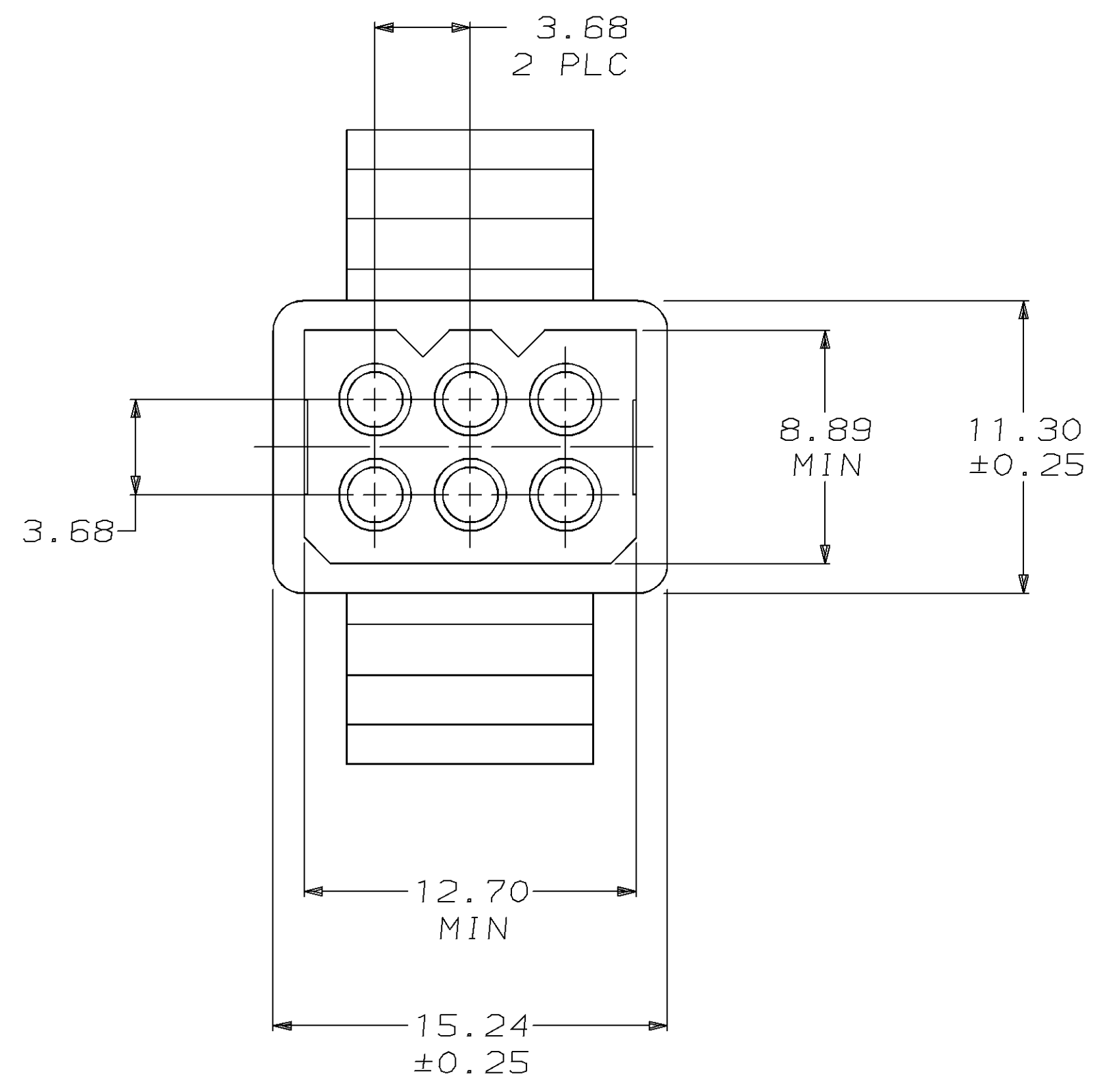
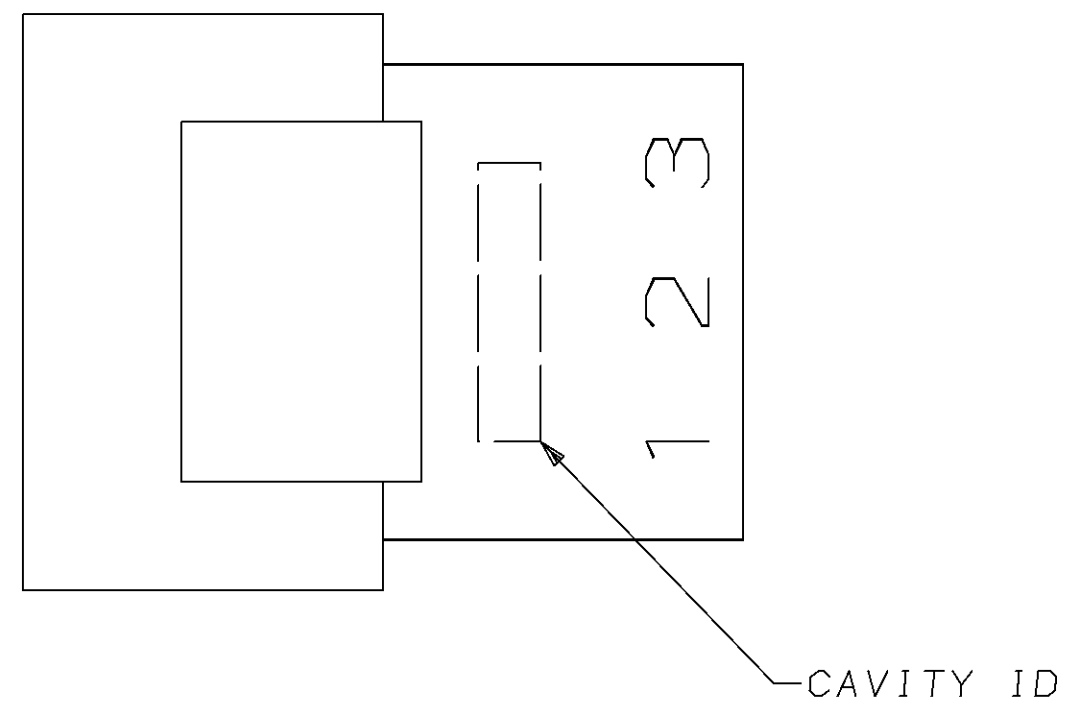
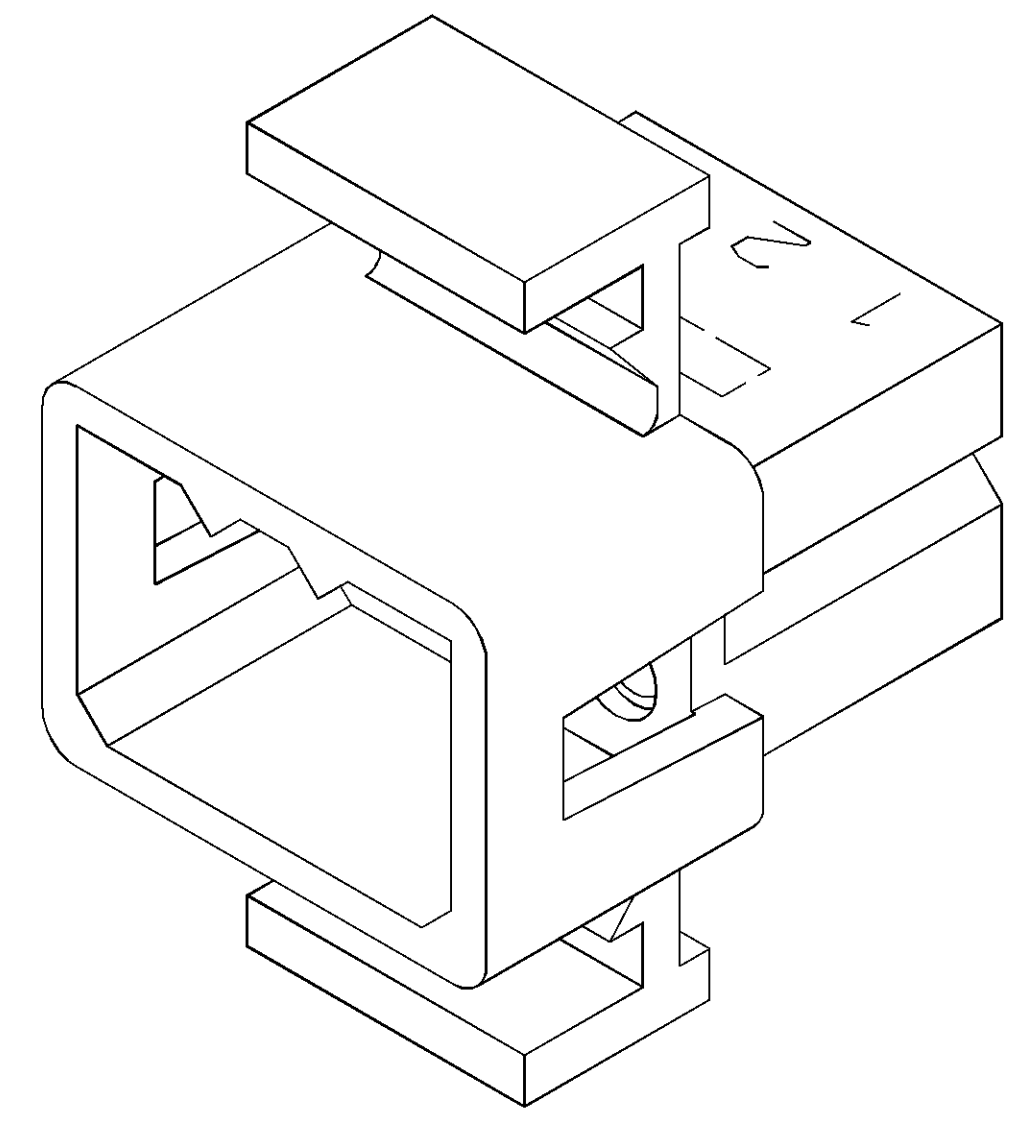


LOC		DIST		REVISIONS			
P	LTR	DESCRIPTION	DATE	DWN	APVD		
C		REV & REDWN PER EC OL30-0066-96	10-02-96	KW	RS		



RECOMMENDED CUT OUT
 FOR 1.52 MAX THICK PANEL



3-DIMENSIONAL MODEL
 NTS

MM	IN	MM	IN
8.89	.350	24.51	.965
3.68	.145	19.05	.750
1.58	.062	15.62	.615
1.52	.060	15.42	.607
0.51	.020	15.24	.600
0.25	.010	12.70	.500
0.13	.005	11.30	.445
MM	IN	MM	IN

CONVERSION TABLE



770353-1
 PART NUMBER

THIS DRAWING IS A CONTROLLED DOCUMENT.		DWN K. WHITAKER	10-02-96	AMP AMP Incorporated Harrisburg, PA 17105-3608
DIMENSIONS:		CHK R. SWING	10-02-96	
TOLERANCES UNLESS OTHERWISE SPECIFIED:		APVD C. CASH	10-09-96	NAME PLUG, PANEL MOUNT, 6 CIRCUIT, .062 PIN AND SOCKET
MATERIAL NYLON, UL 94V-2, NATURAL		PRODUCT SPEC	APPLICATION SPEC	SIZE A1
FINISH		WEIGHT	CASE CODE 00779	DRAWING NO 770353
CUSTOMER DRAWING		SCALE 5:1		SHEET 1 OF 1 REV C