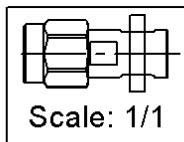
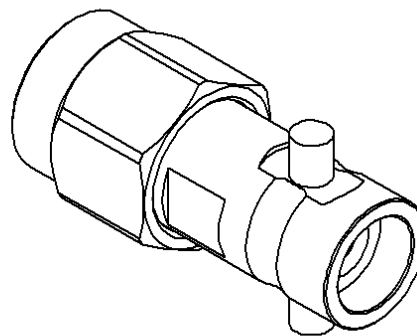
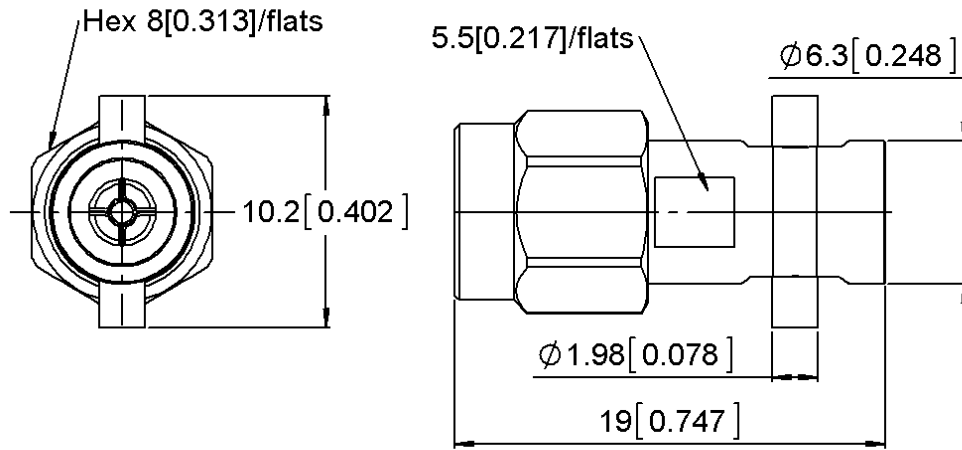
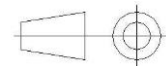


PAGE 1/2	ISSUE 07-05-18C	SERIES ADAPTER	PART NUMBER 5914-9503-000
----------	-----------------	-------------------	---------------------------



All dimensions are in mm. Tolerances according ISO 2768 m-H



COMPONENTS	MATERIALS	PLATING (μm)
Body	<b>STAINLESS STEEL</b>	<b>PASSIVATED</b>
Center contact	<b>BERYLLIUM COPPER</b>	<b>NPGR</b>
Outer contact	<b>BRASS</b>	<b>GOLD 0.2 OVER NICKEL 2</b>
Insulator	<b>KAPTON</b>	
Gasket	<b>SILICONE RUBBER</b>	
Others parts	<b>STAINLESS STEEL, BRASS</b>	<b>PASSIVATED , NICKEL 2</b>
-	-	-
-	-	-

PAGE <b>2/2</b>	ISSUE <b>07-05-18C</b>	SERIES <b>ADAPTER</b>	PART NUMBER <b>5914-9503-000</b>
-----------------	------------------------	--------------------------	----------------------------------

PACKAGING

Standard	Unit	Other
<b>1</b>	<b>Contact us</b>	<b>Contact us</b>

ELECTRICAL CHARACTERISTICS

Impedance		<b>50</b>	$\Omega$
Frequency		<b>0-26</b>	GHz
VSWR	<b>1.1</b> +	<b>0.0000</b>	x F(GHz) Maxi
Insertion loss		<b>0.06</b>	$\sqrt{F}$ (GHz) dB Maxi
RF leakage	- (	<b>60</b>	- F(GHz) dB Maxi
Voltage rating		<b>500</b>	Veff Maxi
Dielectric withstanding voltage		<b>1000</b>	Veff mini
Insulation resistance		<b>5000</b>	M $\Omega$ mini

ENVIRONMENTAL

Operating	<b>-65/+165</b>	$^{\circ}\text{C}$
Hermetic seal	<b>N/A</b>	Atm.cm3/s
Panel leakage	<b>N/A</b>	

MECHANICAL CHARACTERISTICS

Center contact retention			
Axial force – Mating End		<b>27</b>	N mini
Axial force – Opposite end		<b>27</b>	N mini
Torque		<b>N/A</b>	N.cm mini
Recommended torque			
Mating	<b>SMA</b>	<b>100</b>	N.cm
	<b>QCD</b>	<b>0</b>	N.cm
		<b>0</b>	N.cm
Panel nut		<b>N/A</b>	N.cm
Mating life		<b>5000</b>	Cycles mini
Weight		<b>4.2470</b>	g

SPECIFICATION

OTHER CHARACTERISTICS