

# MICRO SWITCH

FREEPORT ILLINOIS, U.S.A  
A DIVISION OF HONEYWELL  
FED. MFG. CODE 91929

# SWITCH - BASIC

CATALOG LISTING

V3-3045

CK-X3465

V3-3045

REPLACES X76257-V3

RELEASE NO. PR-11793

M

DRAWING NUMBER

X 6

X 5

ISSUE

X 3

CHECK

REVISIONS

A	CO	52718
3	WJM	FEB 83
B	0054315	
	JAP	JAN 84
C	C055729	
	K E W	29 AUG 84
D	CO	30087
	SMA	OCT 85
E	CO	76104
	GRT	9 OCT 93

CHECK

J A P

DEC 82

DEC 82

DEC 82

DEC 82

DEC 82

DEC 82

DEC 82

DEC 82

DEC 82

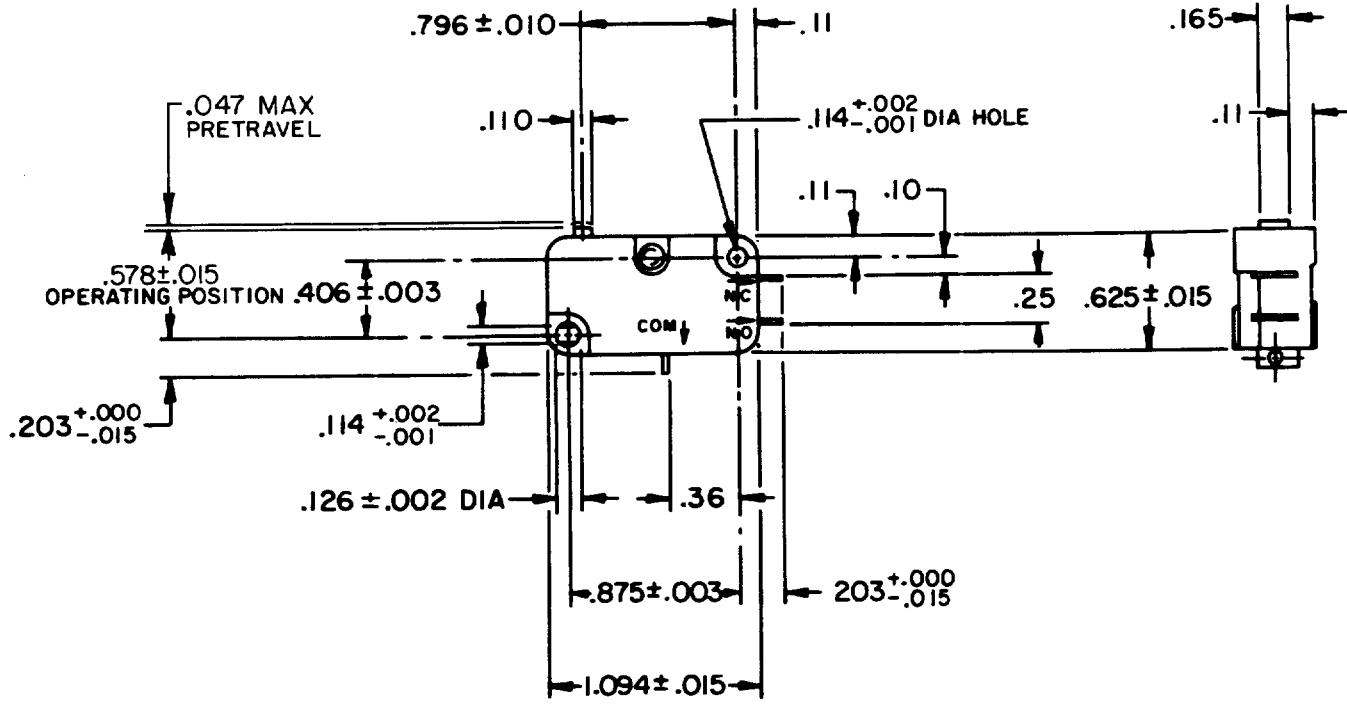
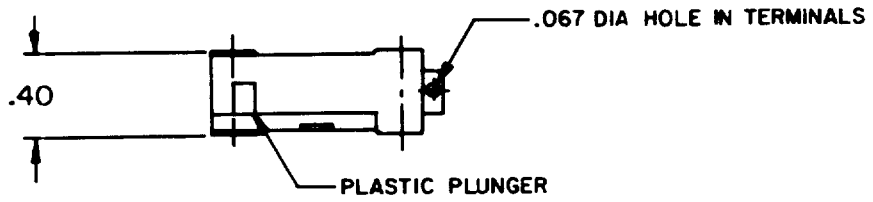
DEC 82

DEC 82

DEC 82

DEC 82

DEC 82



NOTE -  
1 - TERMINALS ARE PLATED FOR SOLDERING  
2 - PLUNGER MATERIAL WILL WITHSTAND TEMPERATURE OF 300° F

THIS DRAWING COVERS A PROPRIETARY ITEM AND IS THE PROPERTY OF MICRO SWITCH, A DIVISION OF HONEYWELL. THIS DRAWING IS NOT TO BE COPIED OR USED WITHOUT THE APPROVAL OF MICRO SWITCH.

THIRD ANGLE PROJECTION

**CHARACTERISTICS**

OPERATING FORCE — — — 150 GRAM MAX  
RELEASE FORCE — — — — 15 GRAM MIN  
DIFFERENTIAL TRAVEL — — — .001-.006  
OVERTRAVEL — — — — .050 MIN  
FREE POSITION — — — — .625 MAX  
RELEASE TRAVEL — — — — .010 MIN

**ELECTRICAL DATA**

CONTACT ARRANGEMENT  
S P D T

L83  
15.1A 1/2HP 125 OR 250 VAC  
1/2A 125 VDC, 1/4A 250 VDC  
5A 125 VAC "L"



**SCALE FULL**

DO NOT SCALE PRINT

**TOLERANCES**  
APPLY TO DESIGN UNITS. CONVERSIONS ARE ONLY FOR REFERENCE. UNLESS NOTED, TOLERANCES ARE ±

	DM.	TOL.	DM.	TOL.
	mm	mm/in	in	mm/in
NO PLACES	X	1/64	X.X	0.01/03
ONE PLACE	X.X	0.001/016	X.XX	0.001/013
TWO PLACES	X.XX	0.0001/0008	X.XXX	0.13/005
THREE PLACES	X.XXX		X.XXXX	
ANGLES				

DESIGN UNITS  METRIC  US CUSTOMARY

WEIGHT

FO-52848-A

DRAWN

J A P 21 DEC 82