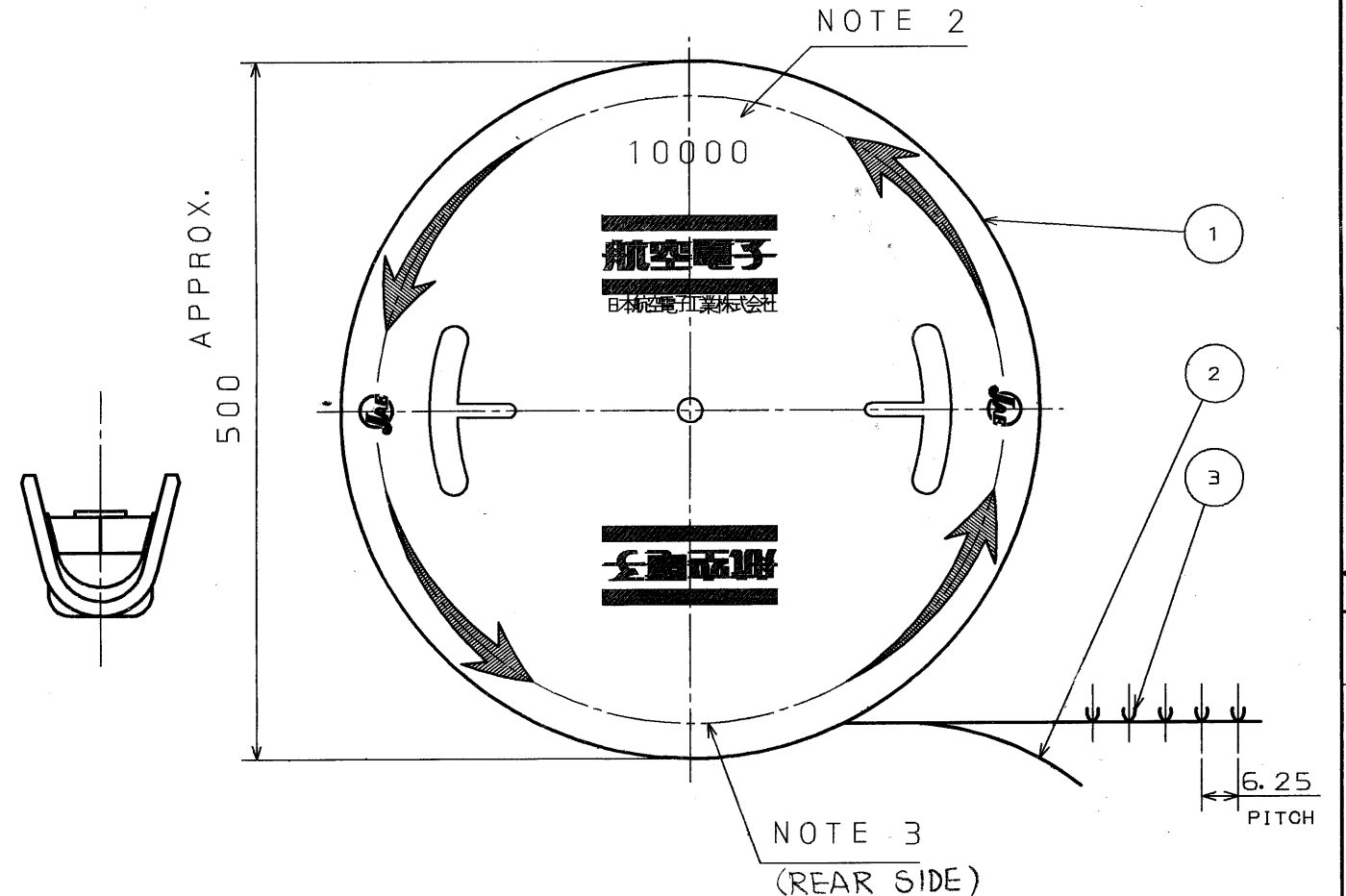
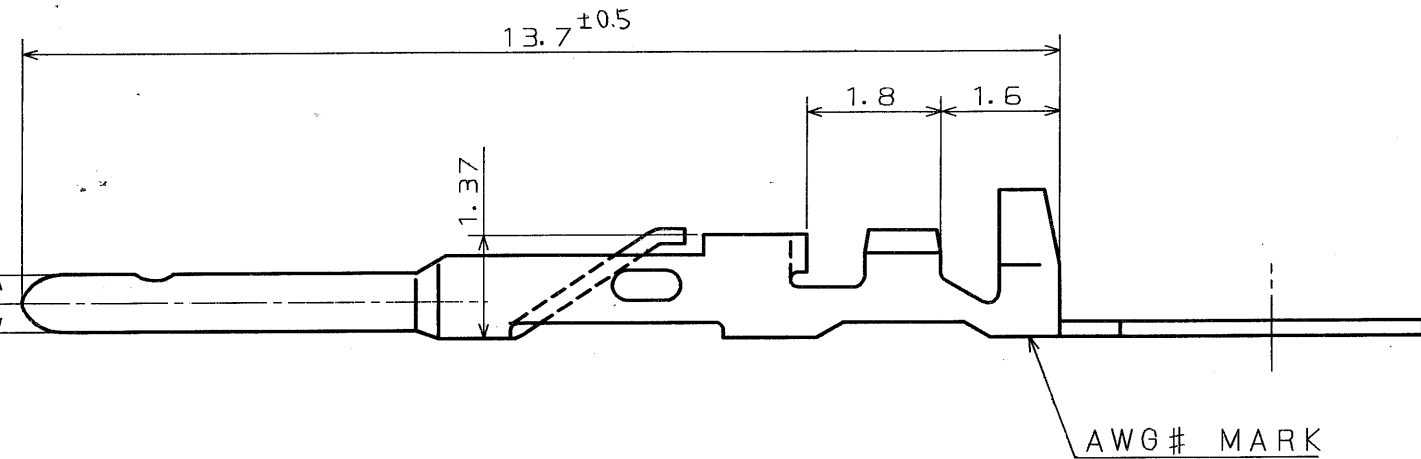
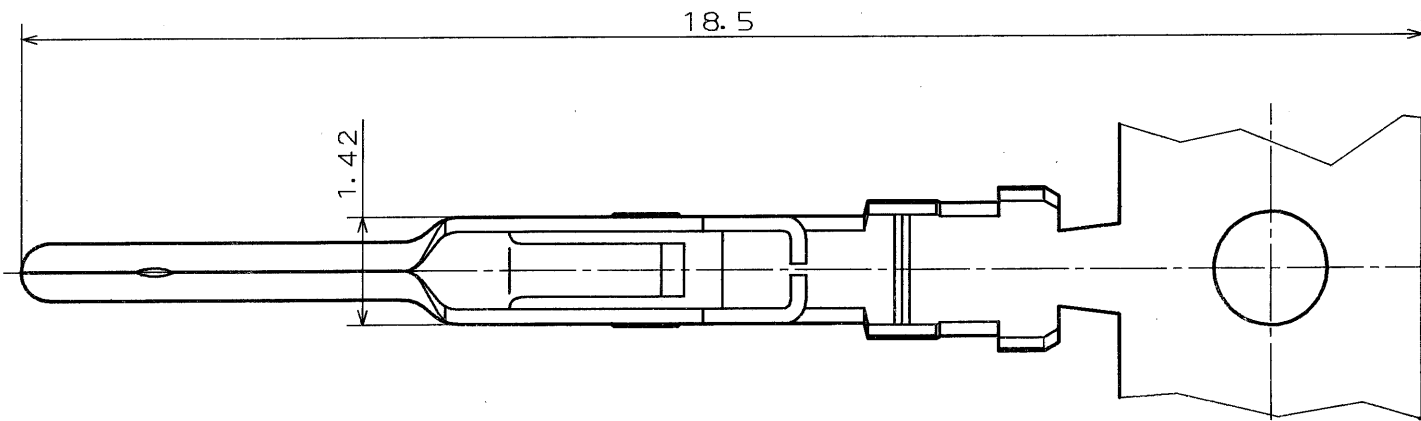


SJ021507-E

DWG. NO.

SYM	DCN NO.	DESCRIPTION	DATE	DRAWN	CHECKED	APP' D	APP' D



DESCRIPTION	APPLICABLE WIRE		AWG# MARK
	WIRE SIZE	OUTER DIA. OF INSUL.	
D02-22-22P-10000	AWG#22~24	DIA 1.3 MAX.	22
D02-22-26P-10000	AWG#26~28	DIA 1.1 MAX.	26

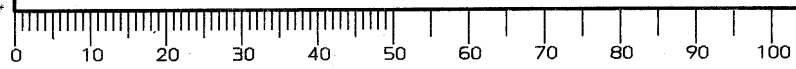
NOTE 1. CONTACT TO BE SUPPLIED IN REELED FORM.  
(10,000 CONTACT/REEL)  
2. NUMBER OF CONTACTS TO BE SHOWN ON THIS PORTION.  
3. LABEL SHOWING PART NUMBER & Q'TY TO BE PUT ON THIS PORTION.

DIMENSIONS ARE IN MILLIMETERS  
TOLERANCES ON: (INCHES)

DIMENSION	ANGLES
. ± 0.3	X° ±
.X ± 0.3	X°X' ±
.XX ±	CONCENTRICITY
.XXX ±	WITHIN T. I. R.

3	PIN CONTACT	10000	COPPER ALLOY	GOLD OVER NICKEL	
2	PAPER TAPE	1	PAPER		
1	MAGAZINE	1	PAPER		
ITEM	DESCRIPTION	Q'TY	MATERIAL	FINISH	REMARKS
REFERENCE DOCUMENT		DATE	SCALE	QTY	
JACS-3050-2		9 JUN. '87	10/1	Reference Only	
MATERIAL		DRAWN	TITLE		
		E. MURANO	D02-22-22P-10000		
TREATMENT		CHECKED	D02-22-26P-10000		
		Y. HAYASHI			
FINISH		APP' D	SERIES		
		K. Takeuchi			
		APP' D			
		S. Iwashimoto			
				JAE NAKAGAMI-CHO, AKISHIMA-SHI TOKYO, JAPAN DWG. NO. SJ021507-E	

DOF-116A



CSP-5150

SIZE A3