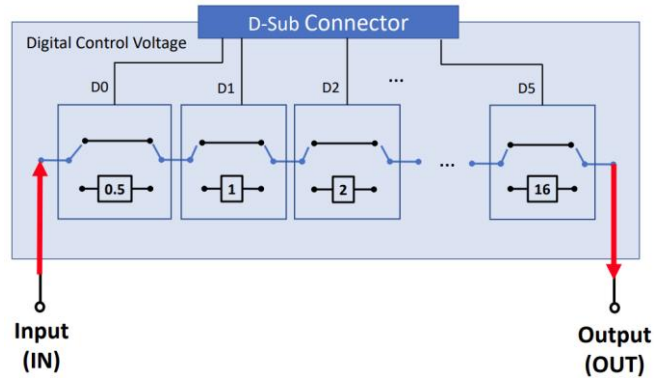




RoHS Compliant



Electrical Schematic

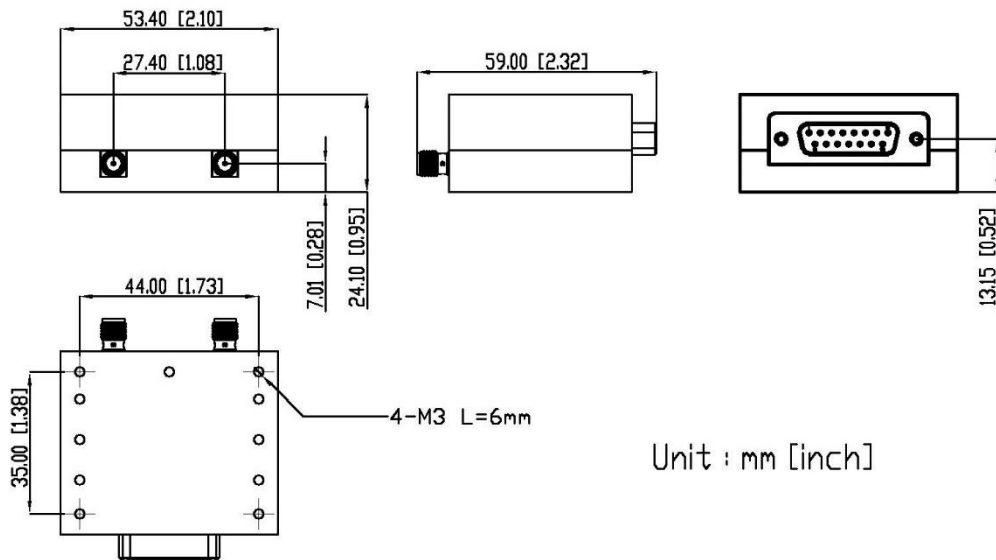
Electrical Specifications

Parameter	Unit	Frequency (MHz)	Conditions	Min.	Typ.	Max.	
Attenuation Range	dB	15 - 12000		0		31.5	
Step	dB				0.5		
Insertion Loss	dB			@ 0 dB Atn.		5.4	5.6
Attenuation Accuracy	dB			@ 0.5 dB Atn.		±0.19	±0.23
				@ 1, 2, 4 dB Atn.		±0.30	±0.33
				@ 8, 16 dB Atn.		±0.64	±0.80
				@ 31.5 dB Atn.		±1.77	±1.90
Input Operating Power (RF In and RF Out ports)	dBm						25
IP3 Input	dBm					36	
VSWR	:1		@ 0 dB Atn.	Input		1.59	1.78
				Output		1.77	
Switching Speed	us			10% to 90% RF Output		45	
				50% Control to 90% RF Output		293	
Supply Voltage Range (V _{DD})	V				4.7		5.3
Control Voltage Threshold	V		Low	0		0.4	
			High	3		5.3	

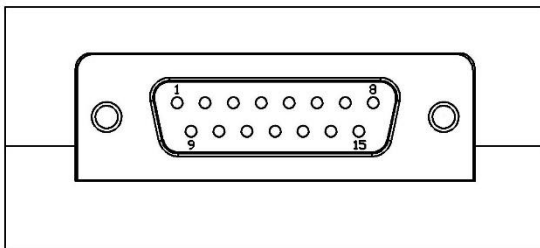
Digital Control Voltage Range	V			0		5.3
Supply Current (I_{DD})	mA				2	5

Operated in 50Ω system, 25°C environment.

Outline Drawing



Connectors: SMA Female, D-Sub Male



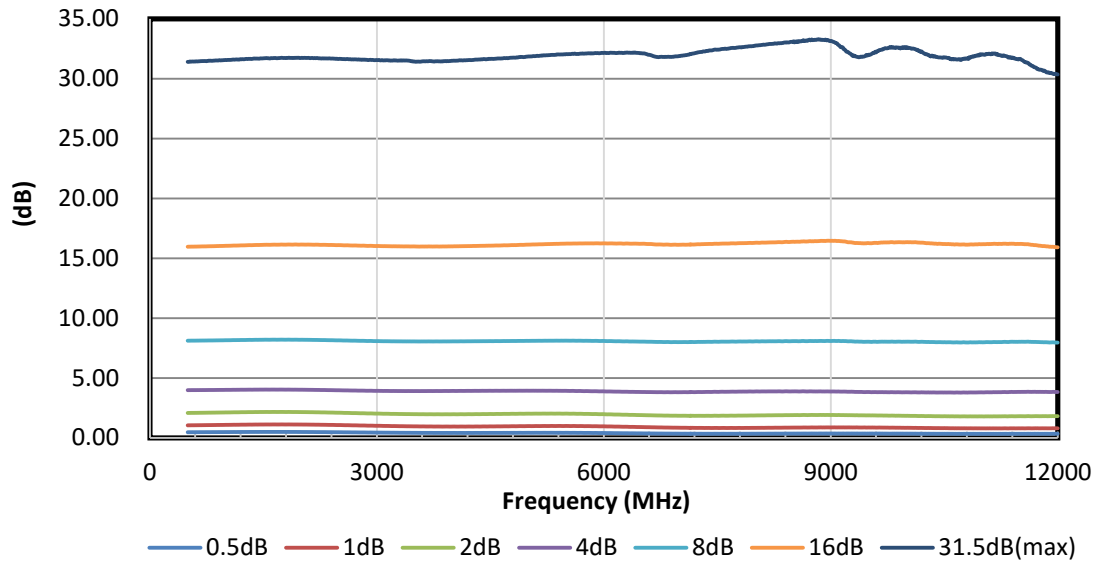
Pin Number Functions

No.	15	14	13	12	11
Func.	N/C	D5	D4	D3	D2
No.	10	9	8	7	6
Func.	D1	D0	N/C	N/C	N/C
No.	5	4	3	2	1
Func.	N/C	N/C	GND	V _{DD}	N/C

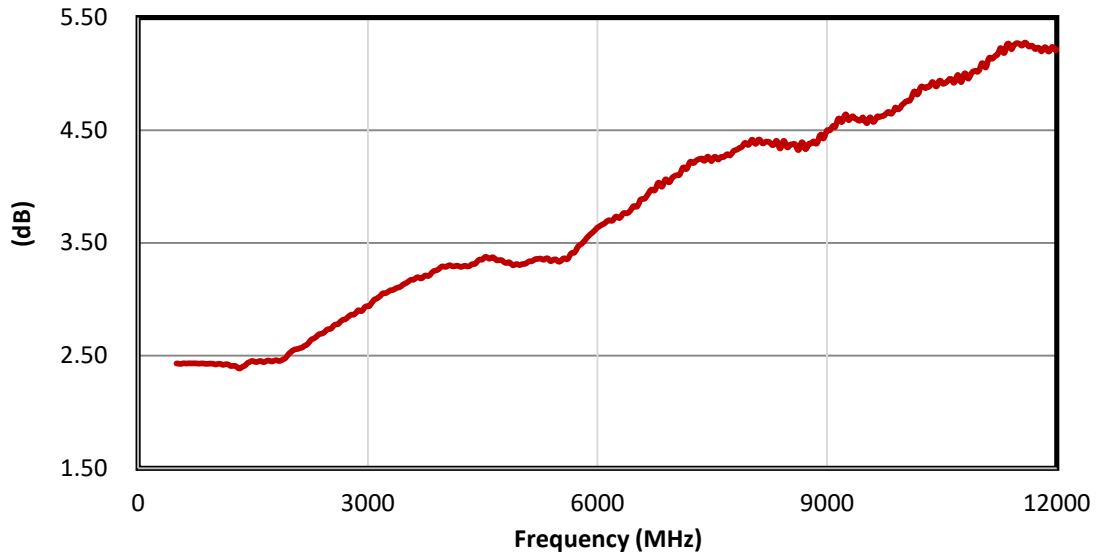
Digital Control Input						Attenuation State (dB)
D0	D1	D2	D3	D4	D5	
Low	Low	Low	Low	Low	Low	0 (reference)
High	Low	Low	Low	Low	Low	0.5
Low	High	Low	Low	Low	Low	1
Low	Low	High	Low	Low	Low	2
Low	Low	Low	High	Low	Low	4
Low	Low	Low	Low	High	Low	8
Low	Low	Low	Low	Low	High	16
High	High	High	High	High	High	31.5

Typical Performance

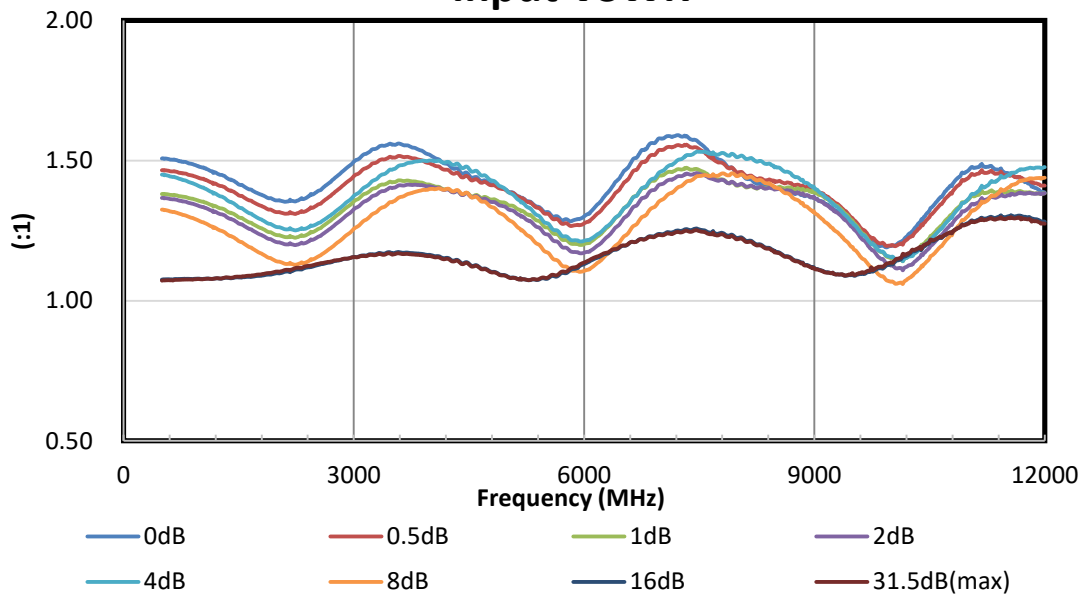
Attenuation Relative to Insertion Loss



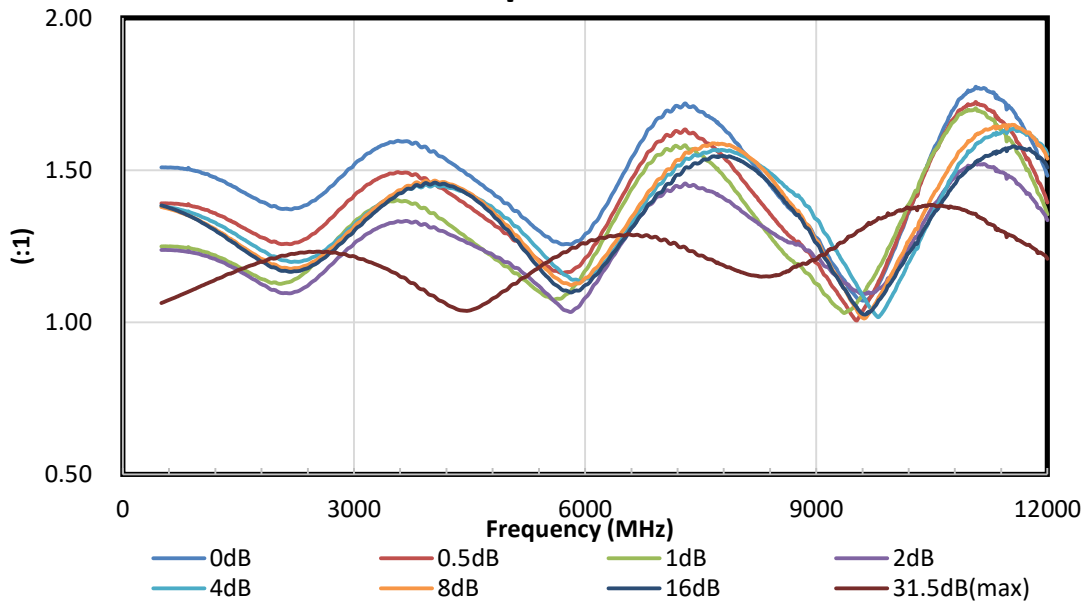
Insertion Loss



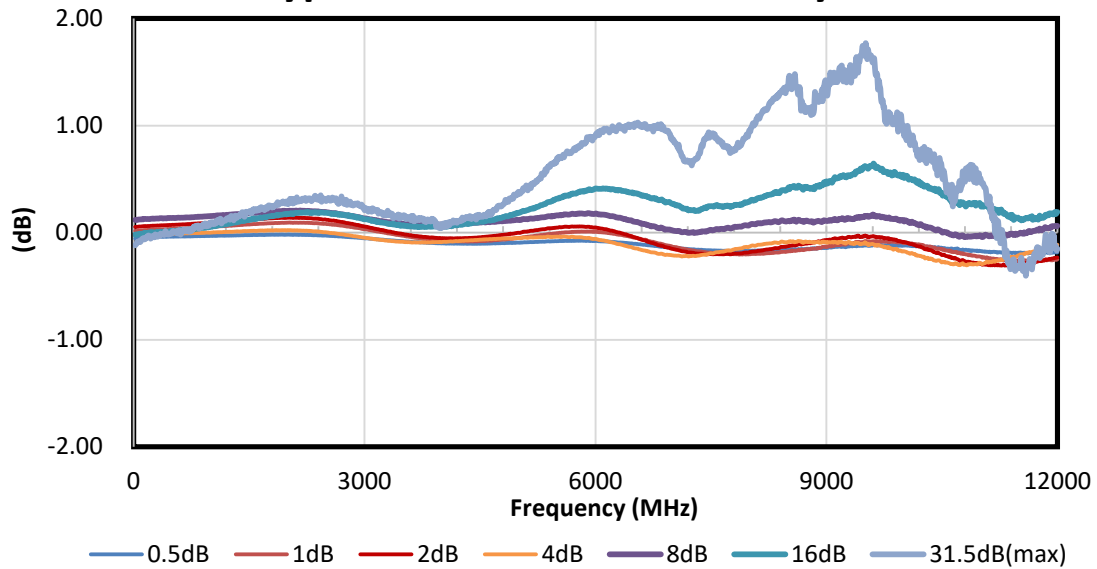
Input VSWR



Output VSWR



Typical Attenuation Accuracy



Typical performance S-parameter file: <https://www.amtery.com/en/goods-81>

For each S/N S-parameter file, go to <https://www.amtery.com/en/downloads>

Note: Specifications are subject to change without notice.