

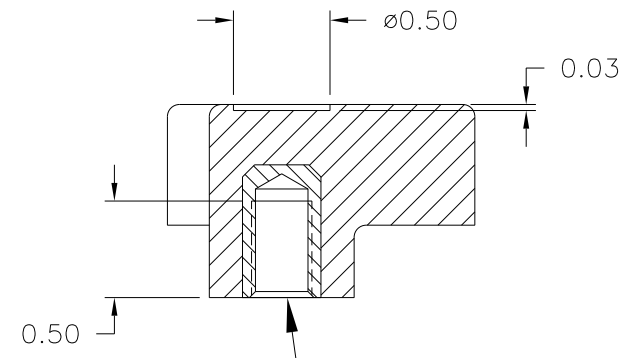
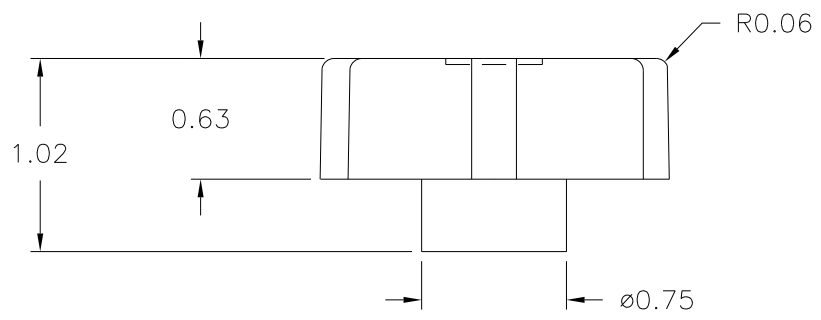
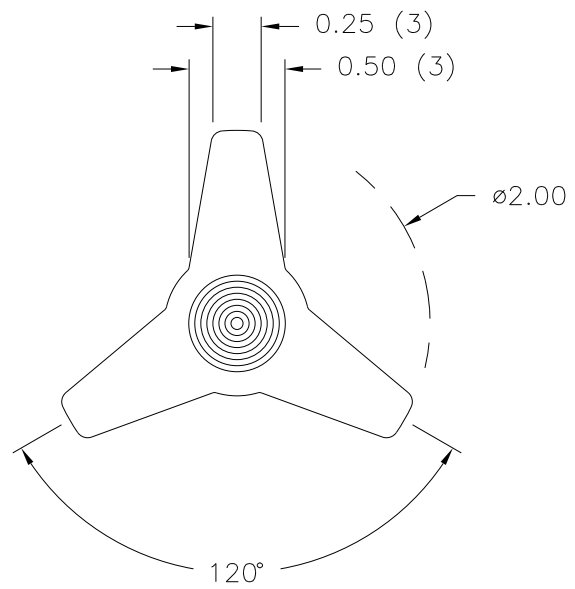
PART NAME: KNOB SCALE: 1:1 DATE: 8/24/65 DR. BY MS

THIS DRAWING IS THE PROPERTY OF DAVIES MOLDING COMPANY, IS SUBMITTED SOLELY AS A DESIGN OR ENGINEERING PROJECT. WE ACCEPT NO RESPONSIBILITY WHATSOEVER FOR THE PRACTICAL APPLICATION OF THE PIECES MADE TO THIS DESIGN.



DESIGNERS & MANUFACTURERS OF KNOBS, HANDLES, CASES & CUSTOM PLASTIC COMPONENTS

P/N	3040-M
M <sup>NO.</sup>	3040
CAVITY	3040
PLUNGER	3040
PLUNGER PIN	3040-B
SHIM	2 1/4+1/4
PIN	3040-E+AC
INSERT	I0528



5/16-18 UNC-2B THREADED I0528, H.H. BRASS

ⓑ  
Ⓐ

MATERIAL: #4311 PLENCO PHENOLIC (B41)  
COLOR: BLACK

TOLERANCES: UNLESS OTHERWISE SPECIFIED	DO NOT SCALE DRAWING	-	RE-DID REDRAW	TL	8/30/99
		-	CAD REDRAW	HD	1/11/94
DECIMALS: X.XXX ± .005 X.XX ± .015	MM: X.XX ± 0.15MM X.X ± 0.4MM	B	ADDED	HD	12/13/66
		A	ADDED	HD	5/10/65
FRACTIONS ± 1/64	ANG. ± 1°	CHANGES			