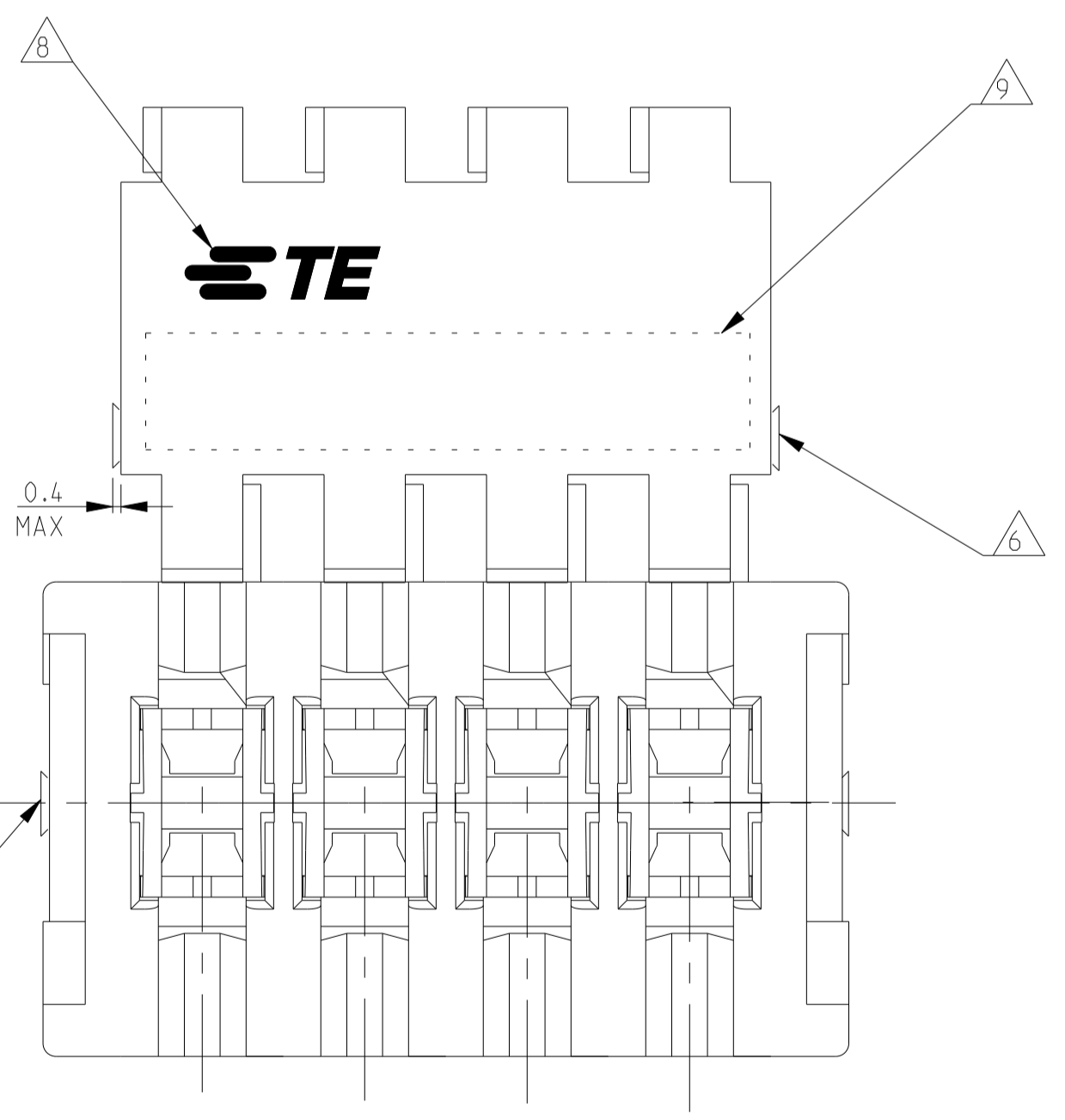
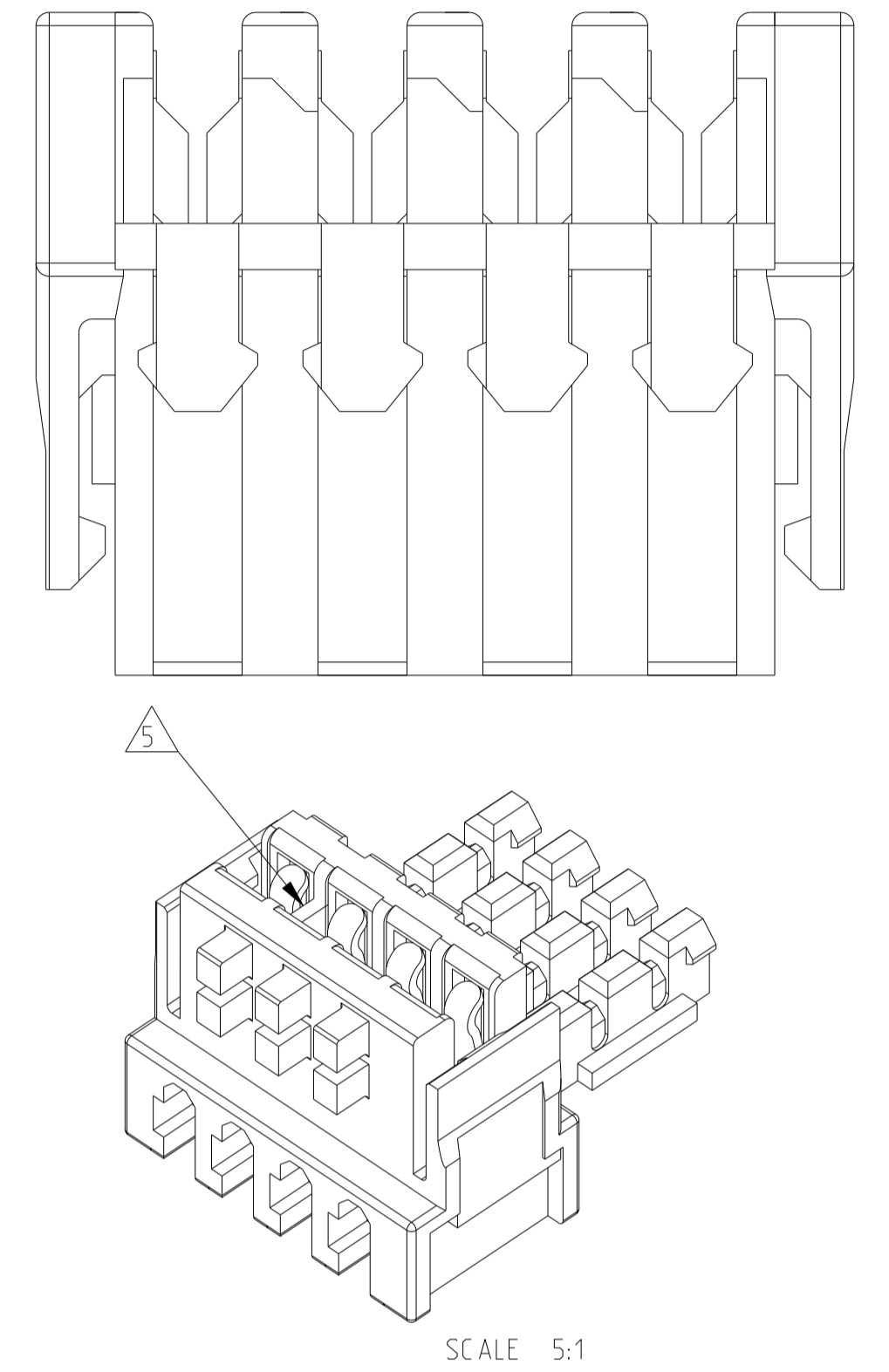
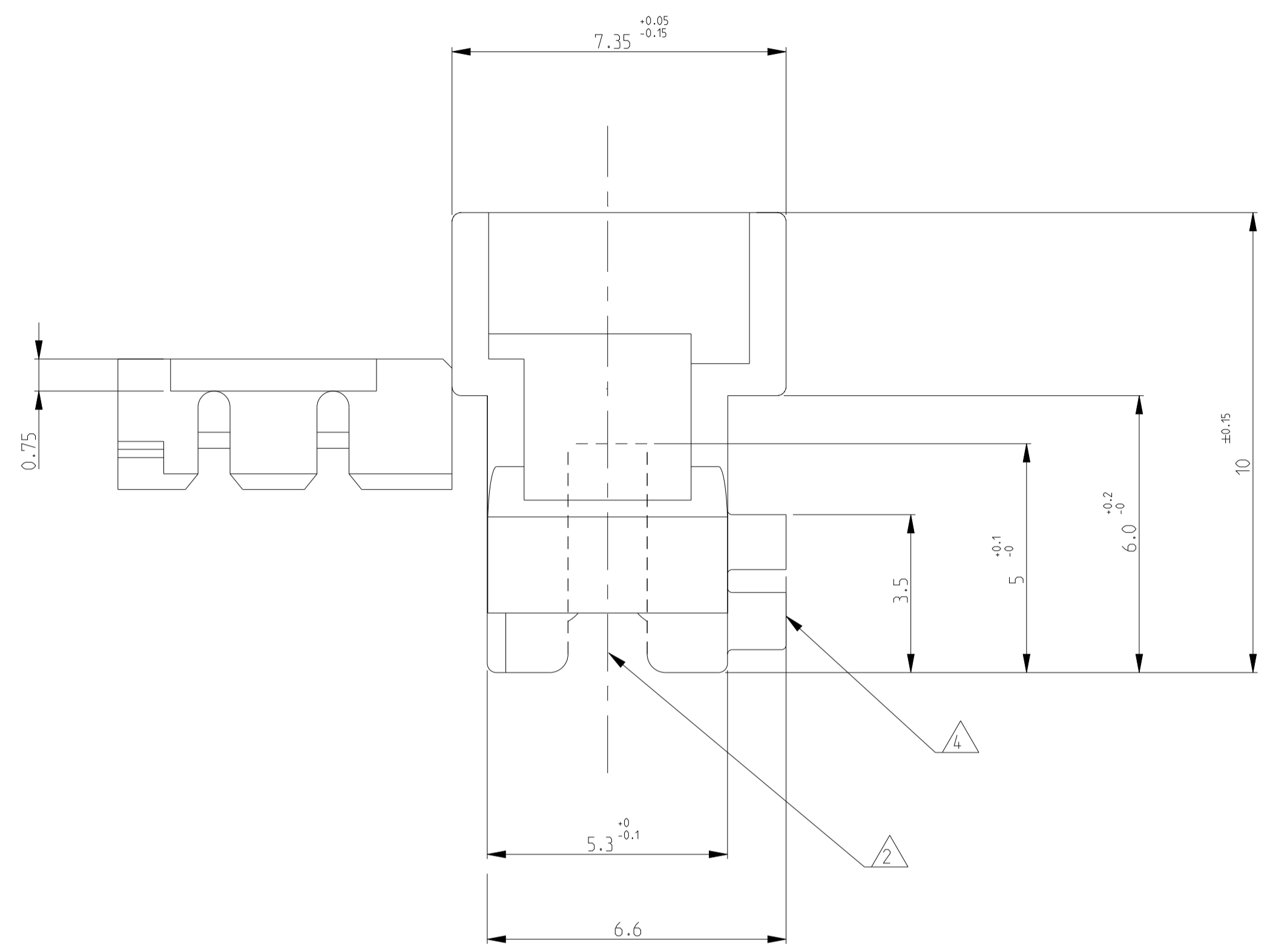
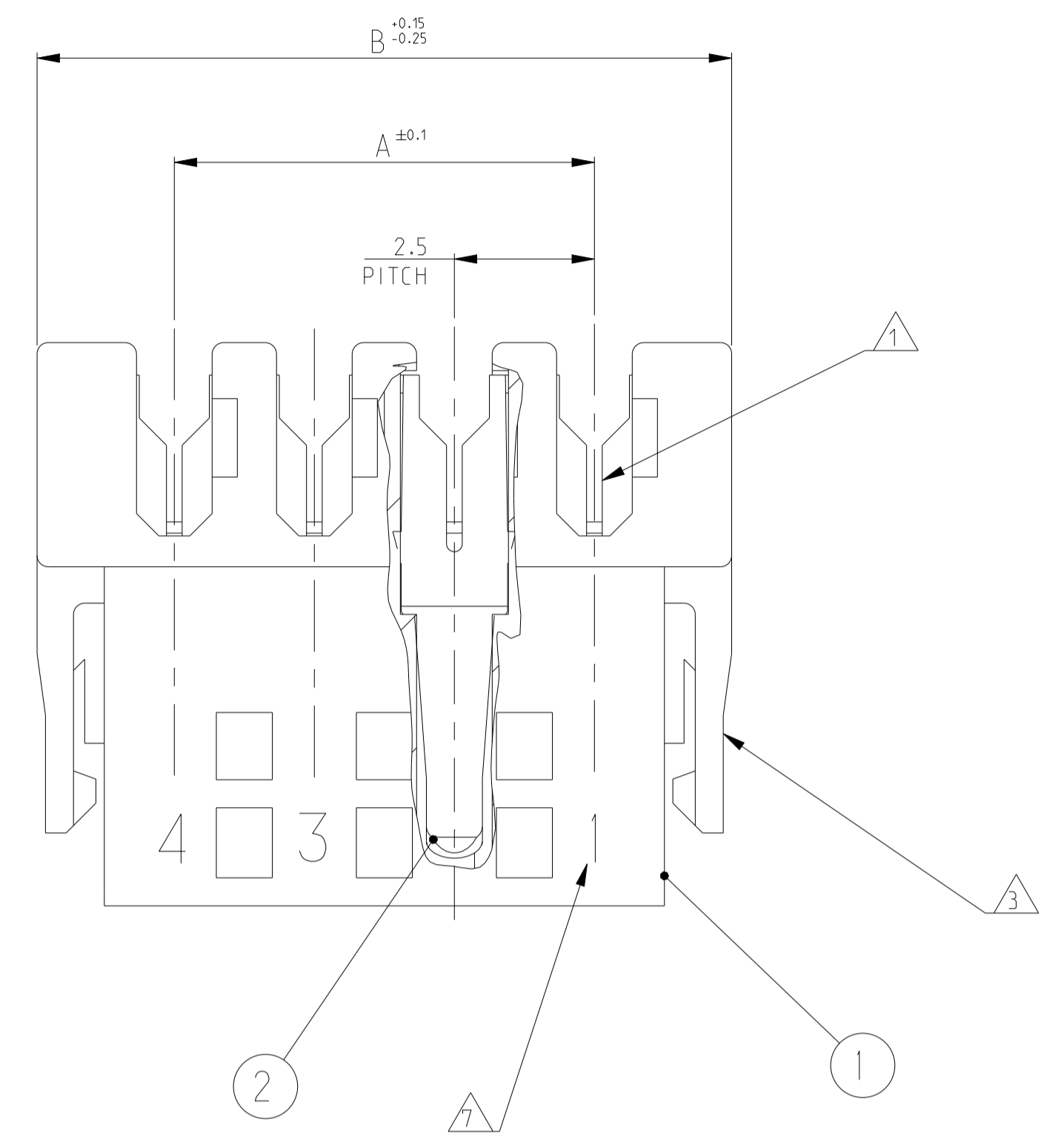


REVISONS		DATE	DWN	APVD
B4	ECR-22-126910	24 JAN 2022	DC	FL
C	ECR-22-128794	10 FEB 2022	DC	FL
C1	ECR-22-134224	04 APR 2022	DC	FL
C2	ECR-22-162225	13 JAN 2023	DC	FL



- 1 WIRE RANGE : STRANDED 0.22-0.35 mm² (INS. DIA. 1.30 \pm 0.1)
- 2 MATING PART: P.C.B. EDGE, DOUBLE SIDE, THK 1.5 (COPPER CLADDING INCLUDED)
- 3 SIDE LOCKING DEVICE
- 4 KEYING RIBS TO BE REMOVED BY TERMINATION MACHINE
- 5 POLARIZATION RIBS BETWEEN CAVITIES
- 6 CUT OFF DIMENSION DUE TO PRODUCTION PROCESS
- 7 CIRCUIT No. IDENTIFICATION
- 8 TE TRADEMARK (OPTIONAL POSITION)
- 9 TAMPOGRAPHIC COLOUR CODE AREA (P/Ns IDENTIFICATION BEFORE CRIMPING AREA)
- 10 FOR PCB LAYOUT, SEE PAGES 2-3
FOR CONNECTION VIEW LAYOUT, SEE PAGE 3
- 11 PRELIMINARY PART, NOT YET RELEASED FOR PRODUCTION
- 12 NOT DEFINED DURING PRELIMINARY STATUS
- 13 PBT GF
- 14 PA GF, UL94-V0 & GWPT 750 NO-FLAME, NATURAL
- 15 ALTERNATIVE RESIN PBT GF
- 16 PART RELEASED WITHOUT EXTENSIVE TERMINATION TESTS

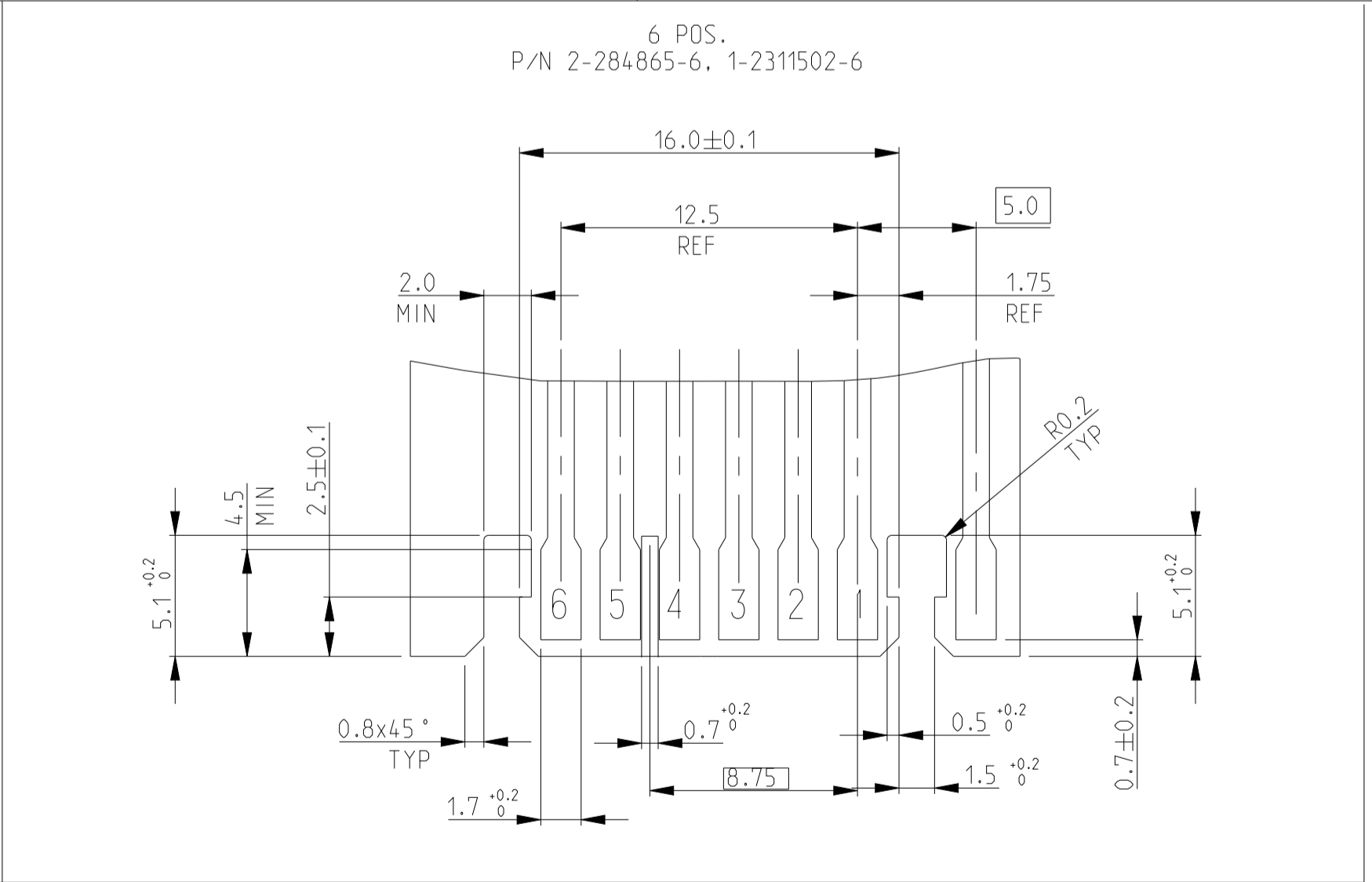
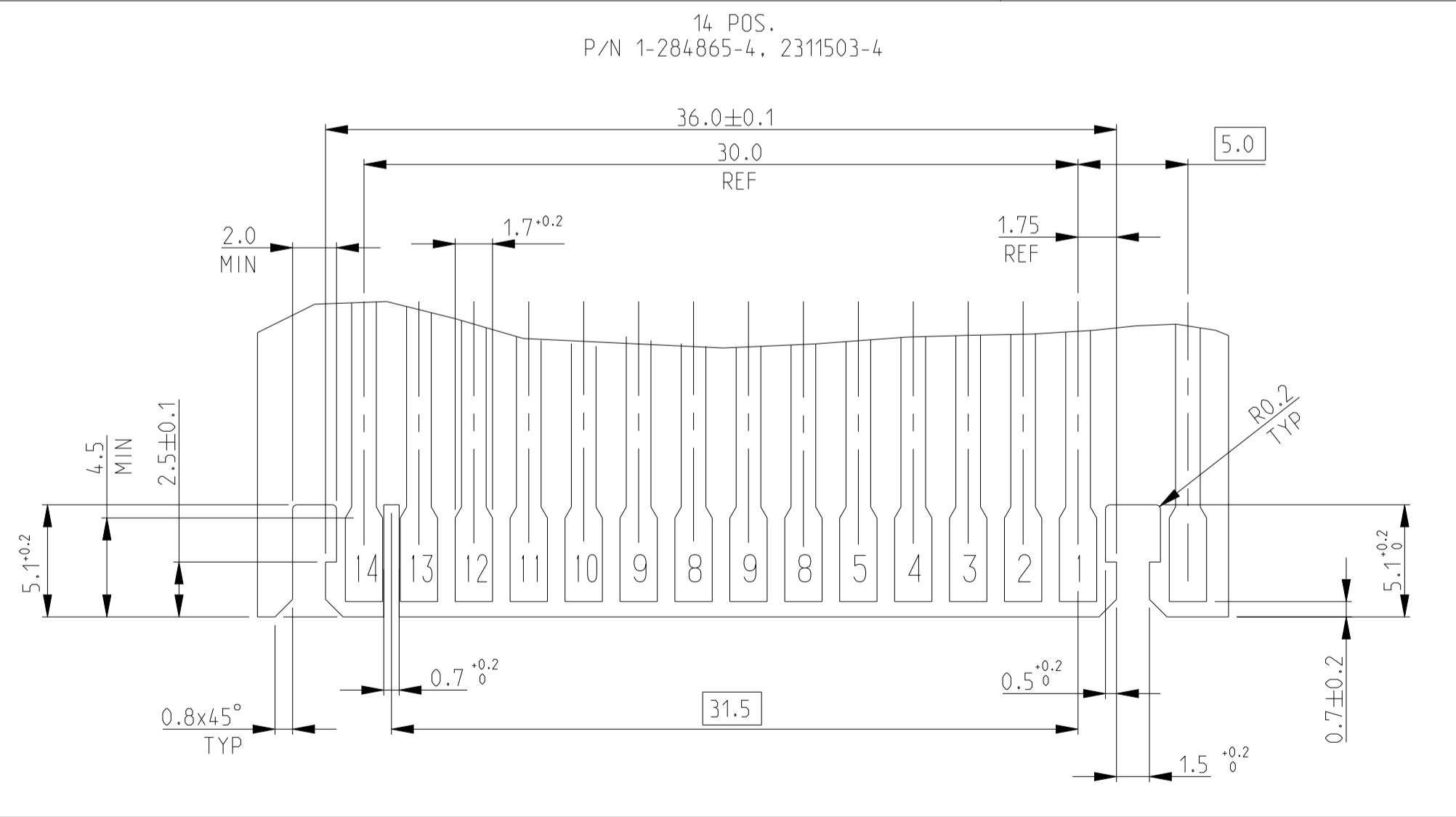
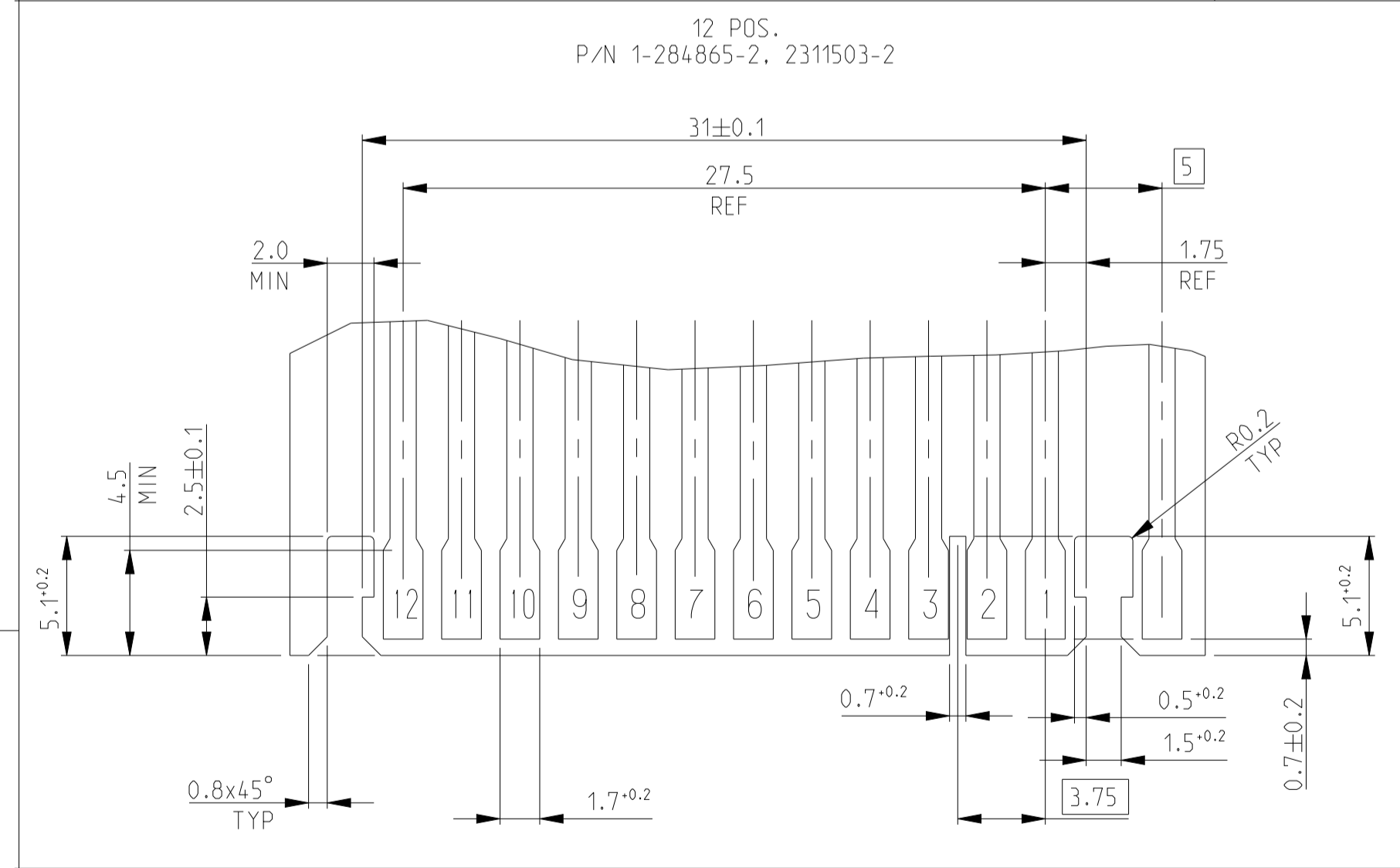
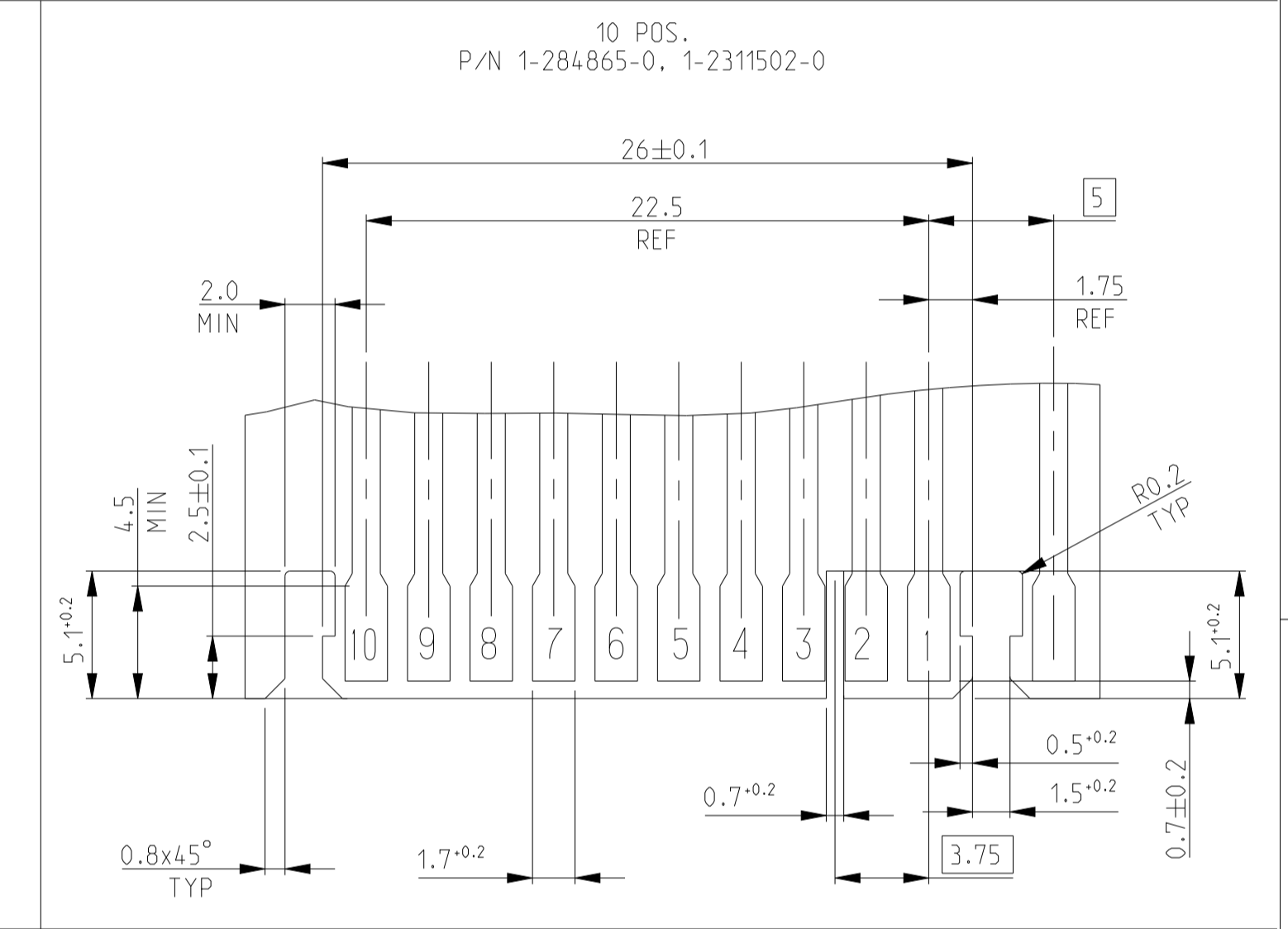
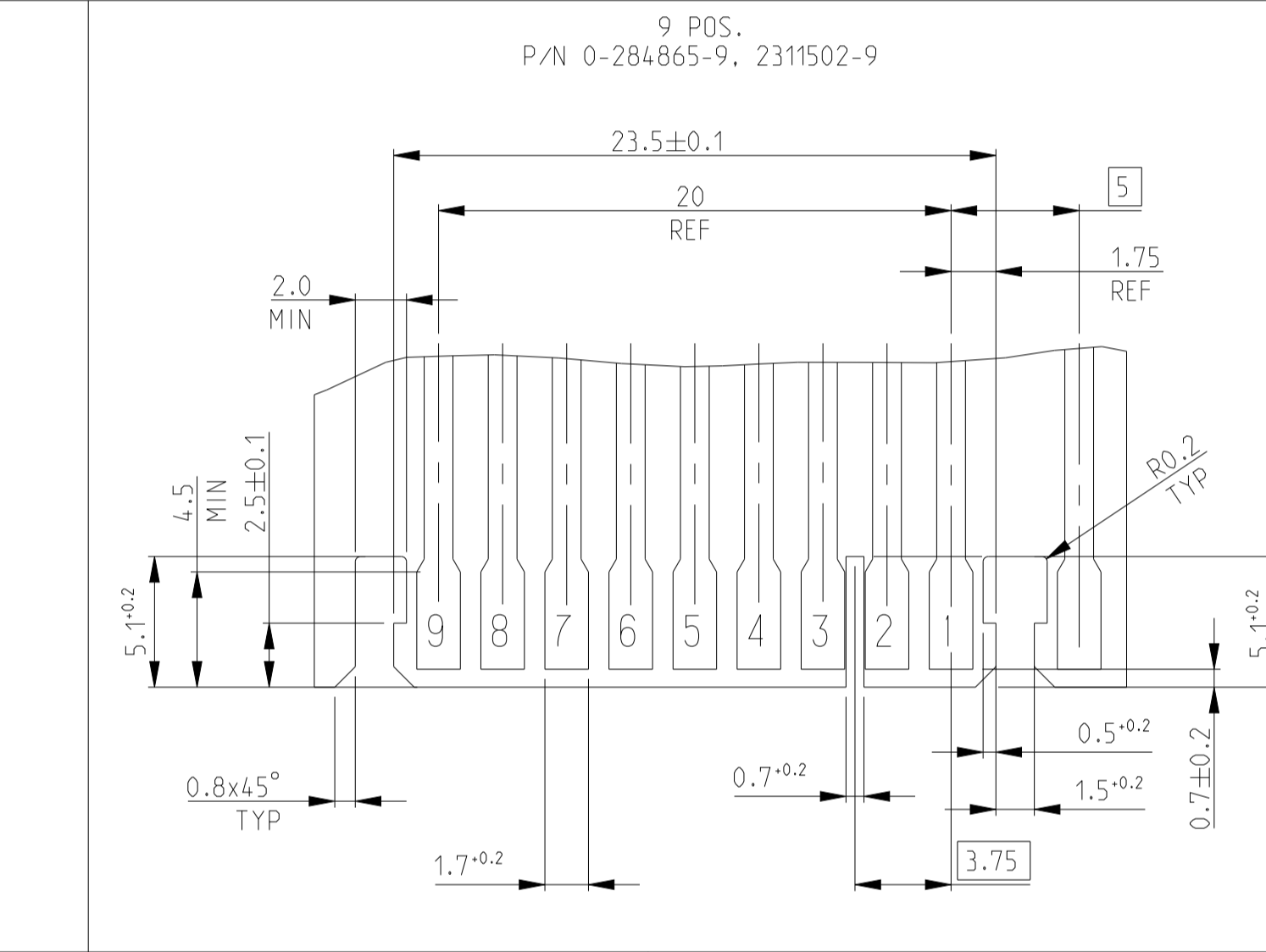
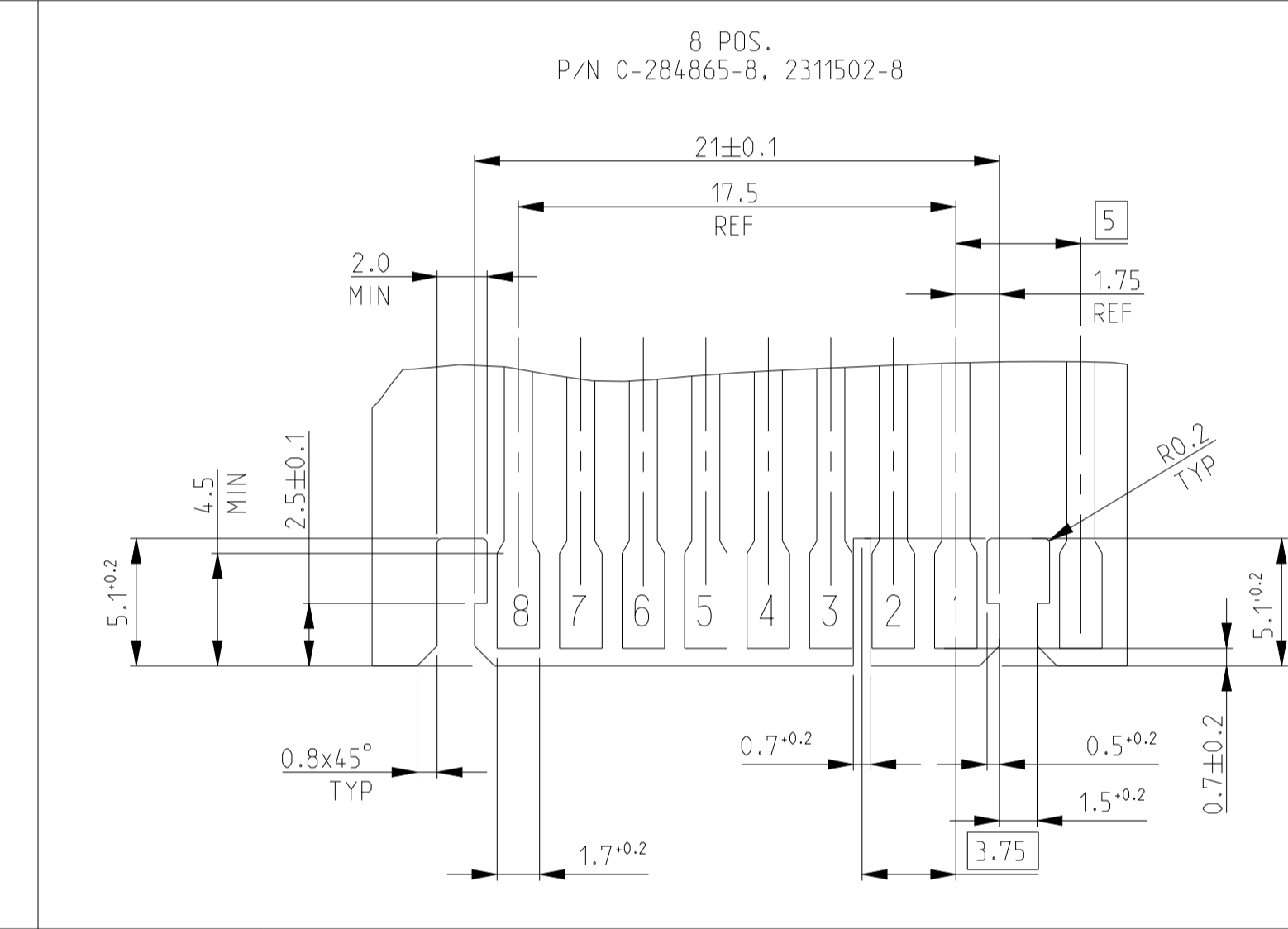
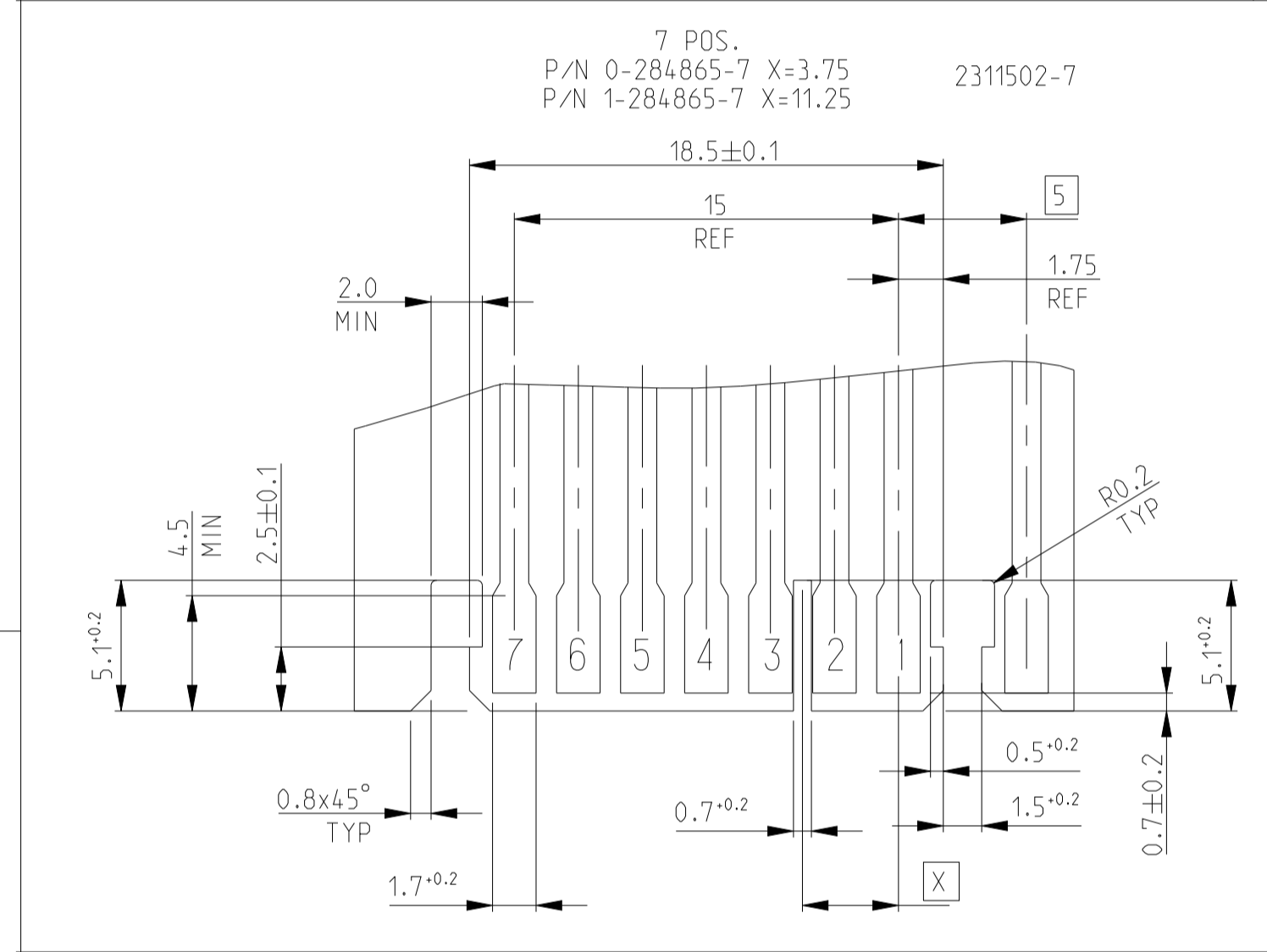
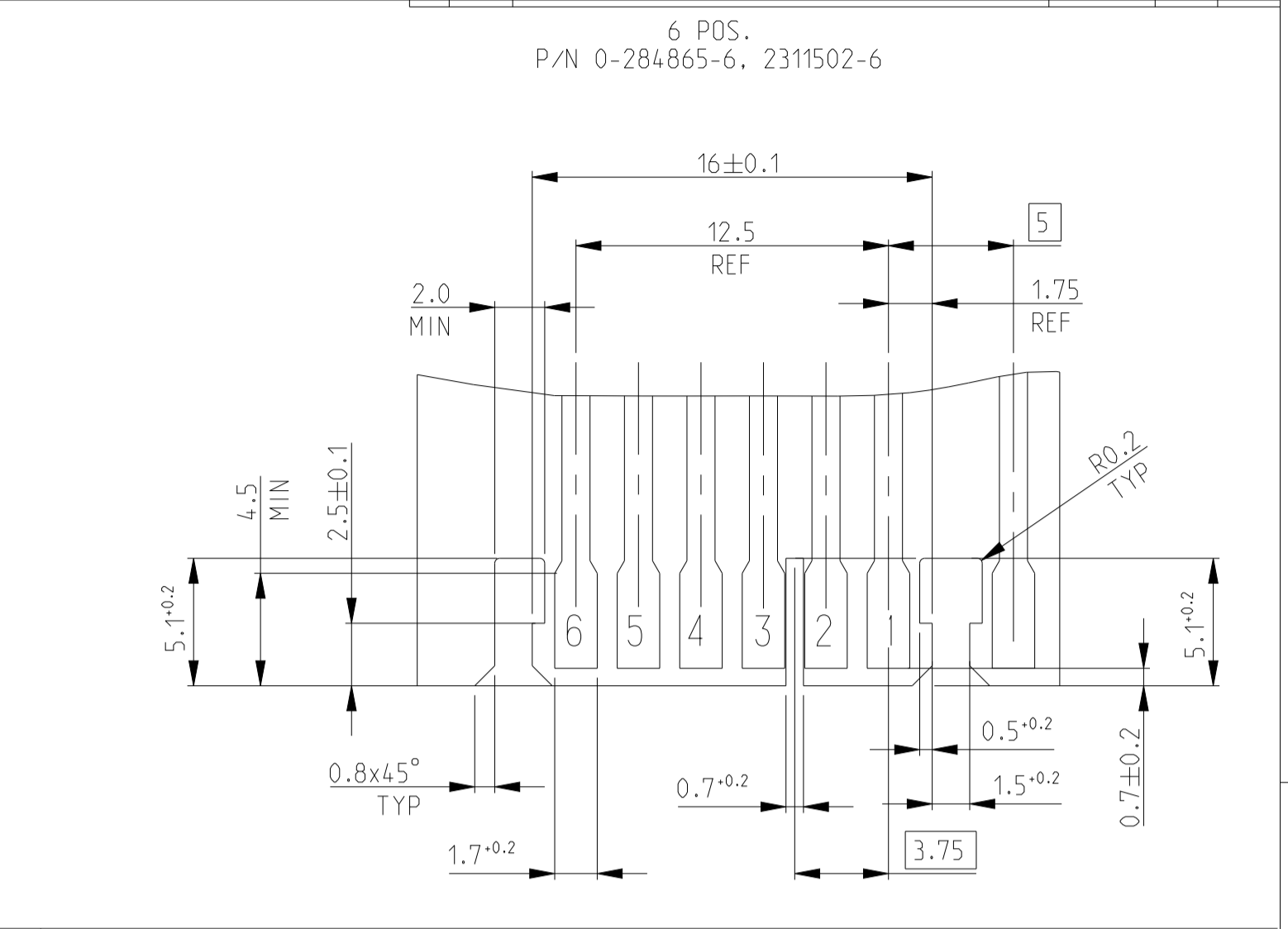
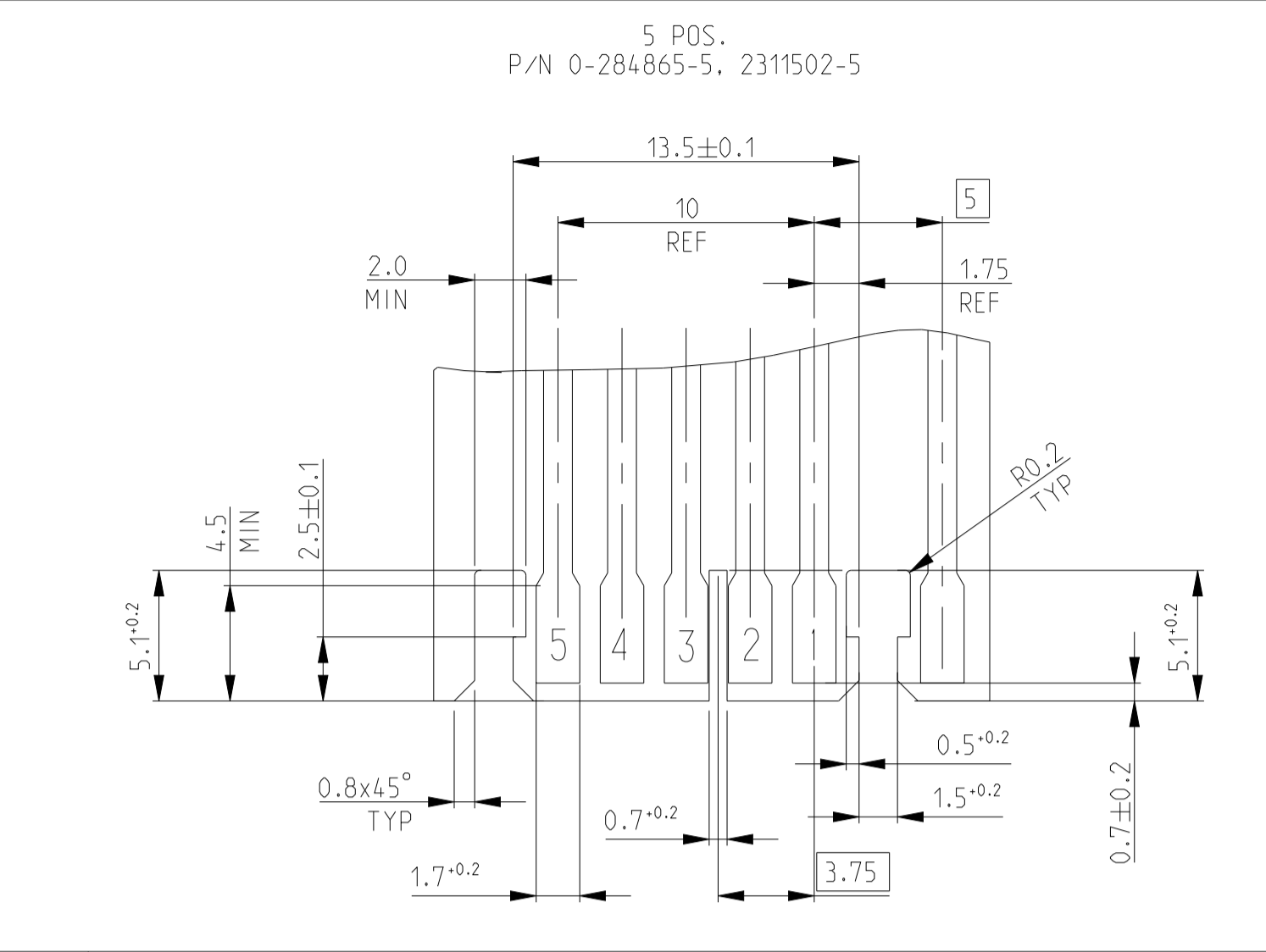
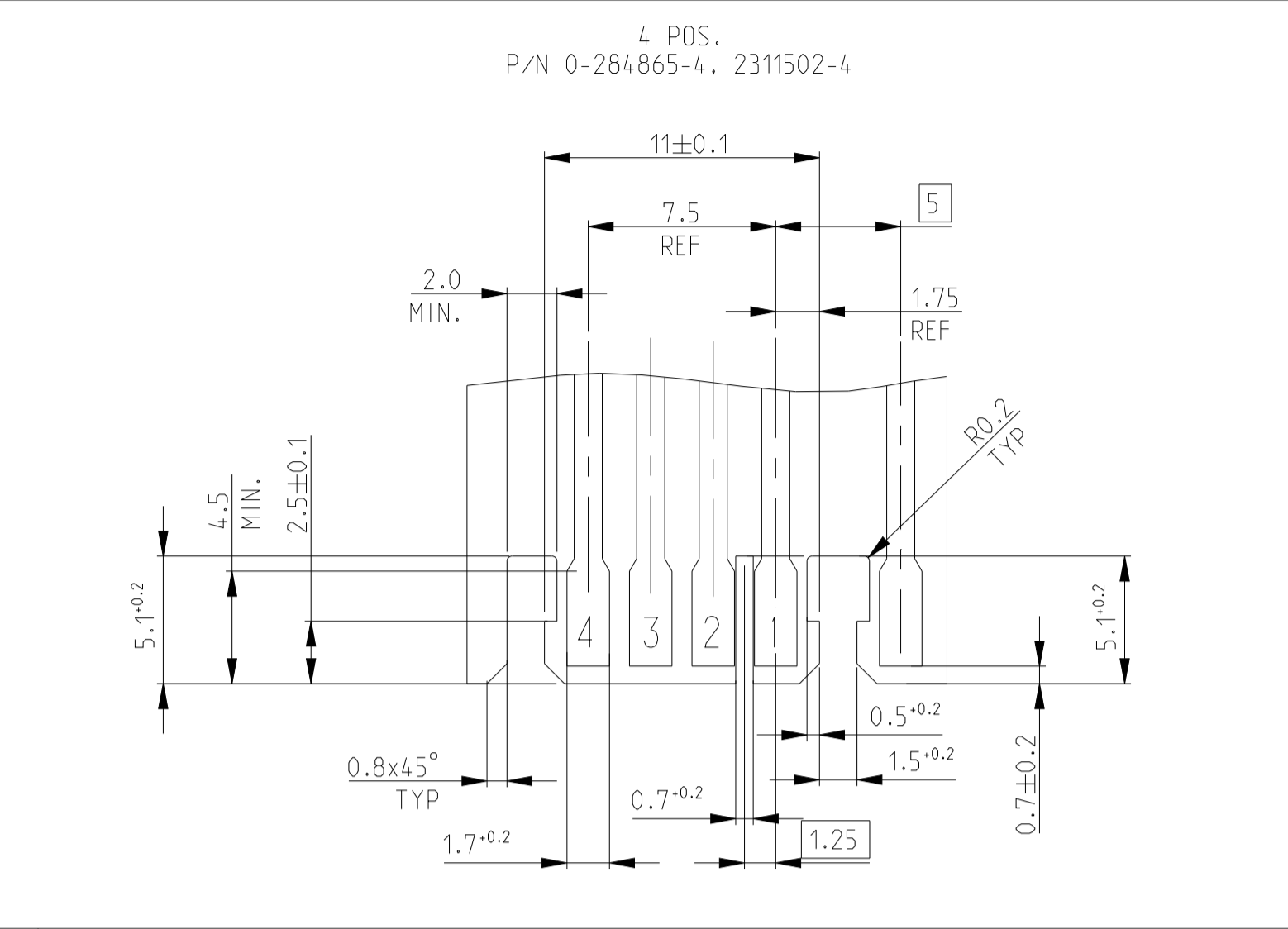
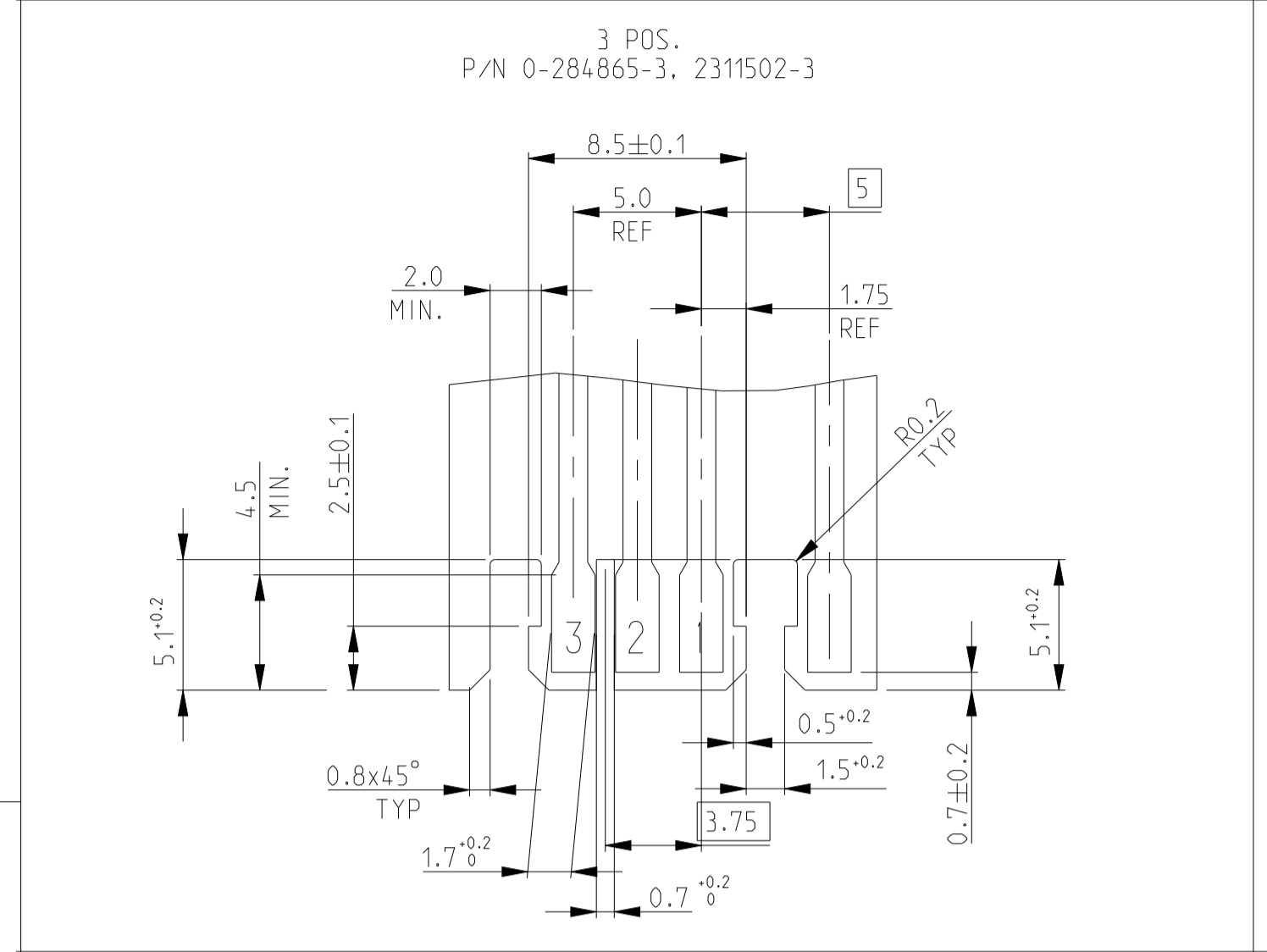
COLOUR CODE	POLARIZ. RIB POS.	HSG POS.	DIM.A	DIM.B	TE P/N	TE P/N	TE P/N
BLACK	13/14	14	32.5	37.4	1-284865-4	2311503-4	1-2402731-4
RED	11/12	12	27.5	32.4	2-284865-2	1-2311503-2	2-2402731-2
BLACK	2/3	10	22.5	27.4	1-284865-2	2311503-2	1-2402731-2
RED	9/10	8	17.5	22.4	2-284865-0	2-2311502-0	2-2402731-0
BLACK	2/3	9	20.0	24.9	1-284865-0	1-2311502-0	1-2402731-0
BLACK	2/3	9	20.0	24.9	0-284865-9	2311502-9	2402731-9
RED	3/4	8	17.5	22.4	2-284865-8	1-2311502-8	2-2402731-8
BLACK	2/3	7	15.0	19.9	0-284865-8	2311502-8	2402731-8
-	5/6	7	15.0	19.9	1-284865-7	2311502-7	1-2402731-7
BLACK	2/3	7	15.0	19.9	0-284865-7	2311502-7	2402731-7
-	3/4	5	10.0	14.9	5-284865-6	4-2311502-6	5-2402731-6
ORANGE	5/6	5	10.0	14.9	4-284865-6	3-2311502-6	4-2402731-6
OBSOLETE	BLUE	1/2	6	12.5	3-284865-6	-	-
RED	4/5	6	12.5	17.4	2-284865-6	1-2311502-6	2-2402731-6
BLACK	2/3	6	12.5	17.4	0-284865-6	2311502-6	2402731-6
GREY	1/2	5	10.0	14.9	3-284865-5	2-2311502-5	3-2402731-5
RED	3/4	5	10.0	14.9	2-284865-5	1-2311502-5	2-2402731-5
BLACK	2/3	5	10.0	14.9	0-284865-5	2311502-5	2402731-5
RED	3/4	4	7.5	12.4	3-284865-4	1-2311502-4	3-2402731-4
OBSOLETE	RED	N/A	-	-	2-284865-4	-	-
BLACK	1/2	4	7.5	12.4	0-284865-4	2311502-4	2402731-4
RED	1/2	3	5.0	9.9	2-284865-3	1-2311502-3	2-2402731-3
BLACK	2/3	3	5.0	9.9	0-284865-3	2311502-3	2402731-3

THIS DRAWING IS A CONTROLLED DOCUMENT.				DWN R. FABRIS 03 JUL 2002	
SEE TABLE	PH. BRONZE, TIN PLATED	IDC RECEPTACLE CONTACT	2	DIMENSIONS: mm	
Q.TY	PBT GLASS FIBER FILLED	FEMALE HOUSING	1	TOLERANCES UNLESS OTHERWISE SPECIFIED:	
1	MATERIAL	DESCRIPTION	ITEM	0 PLC ± 0.2	1 PLC ± 0.1
REVISIONE DELL'ASSEMBLATO (REVISION OF EACH ASSY NO)				2 PLC ± 0.1	3 PLC ± 0.1
ELENCO DEI COMPONENTI (PARTS LIST)				4 PLC ± 0.1	ANGLES $\pm 1^\circ$
MATERIAL SEE TABLE				FINISH SEE TABLE	
Customer Drawing				Customer Drawing	

P/N 0-284865-4 AS SHOWN

PCB LAYOUT -Soldering side-
 (SCALE 4:1)

LOC		DIST		REVISIONS			
P	LTN	DATE	OWN	APVD	DESCRIPTION		
-	-	-	-	-	SEE SHEET 1		



THIS DRAWING IS A CONTROLLED DOCUMENT. OWN R. FABRIS 03JUL2002
 DIMENSIONS: mm
 TOLERANCES UNLESS OTHERWISE SPECIFIED:
 0 PLC # # # # #
 1 PLC # # # # #
 2 PLC # # # # #
 3 PLC # # # # #
 4 PLC # # # # #
 ANGLES # # # # #
 MATERIAL SEE TABLE
 FINISH SEE TABLE

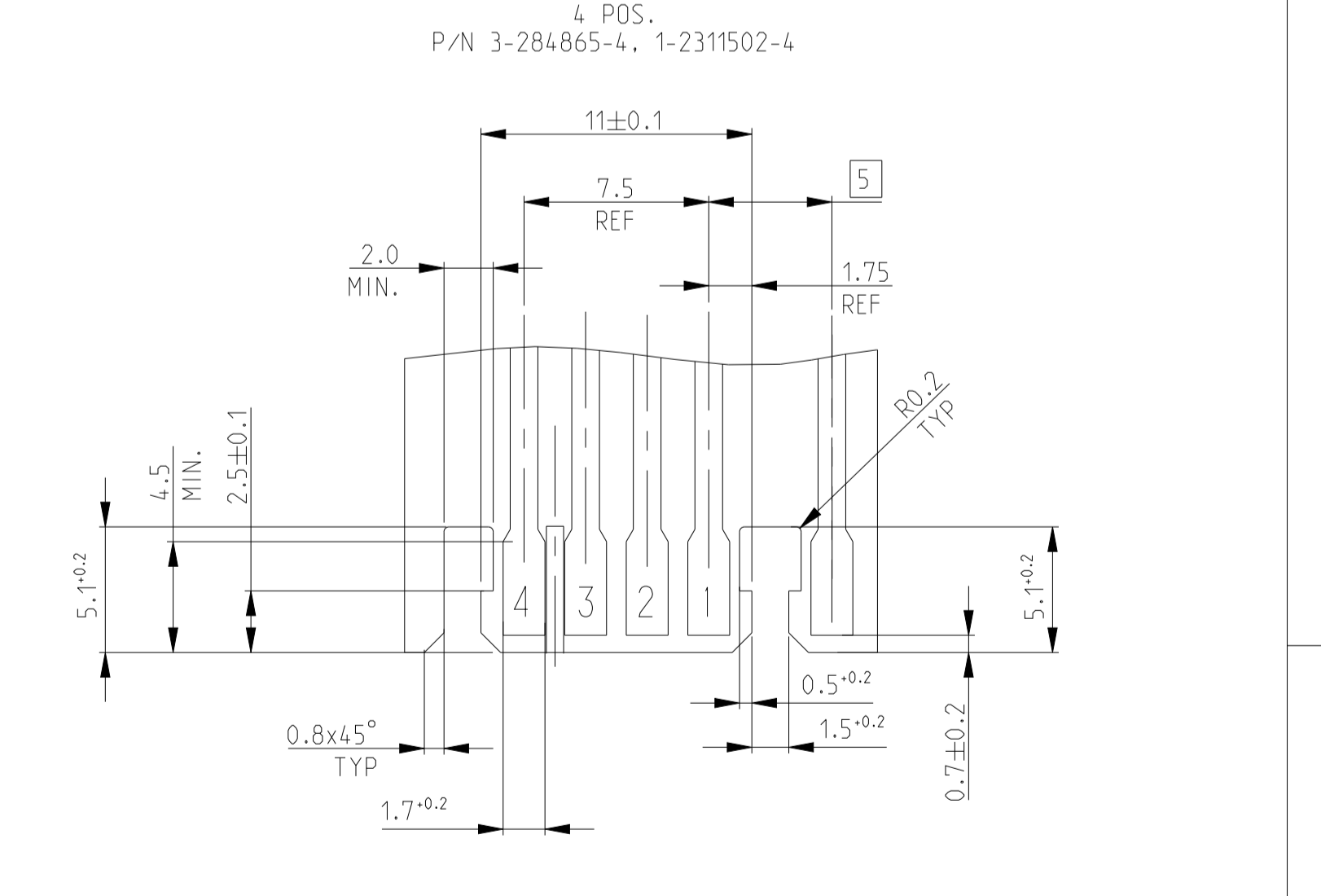
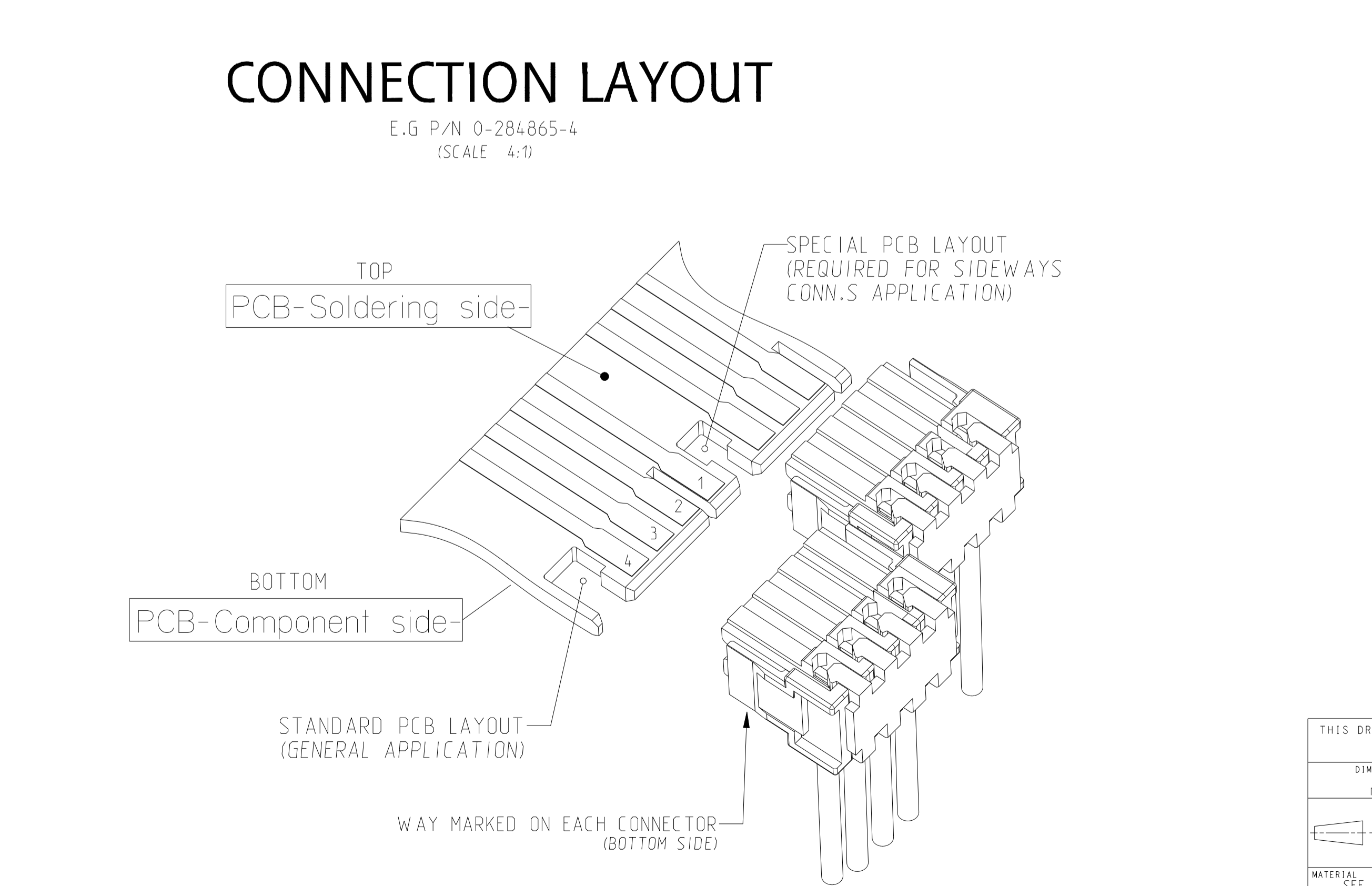
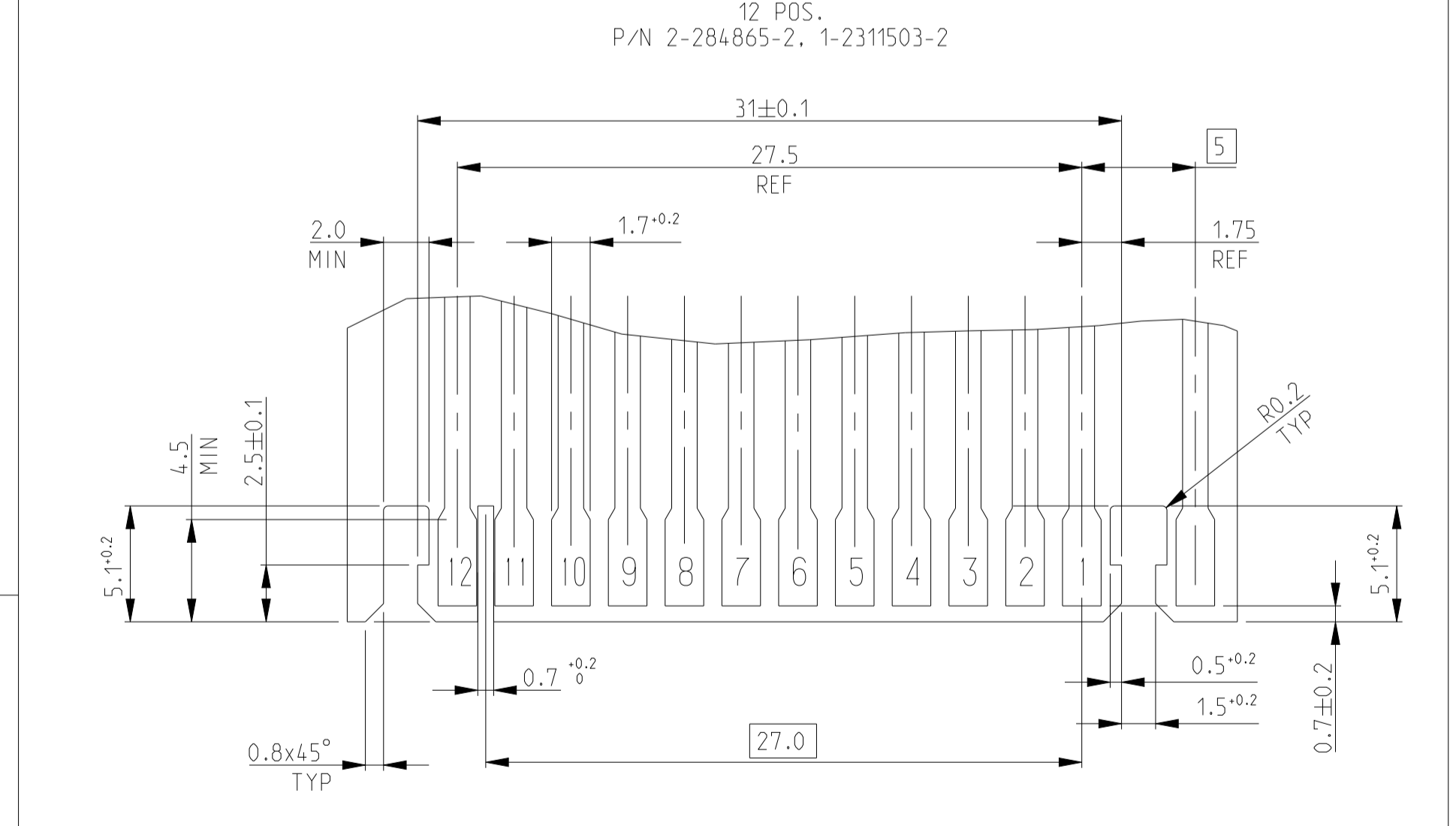
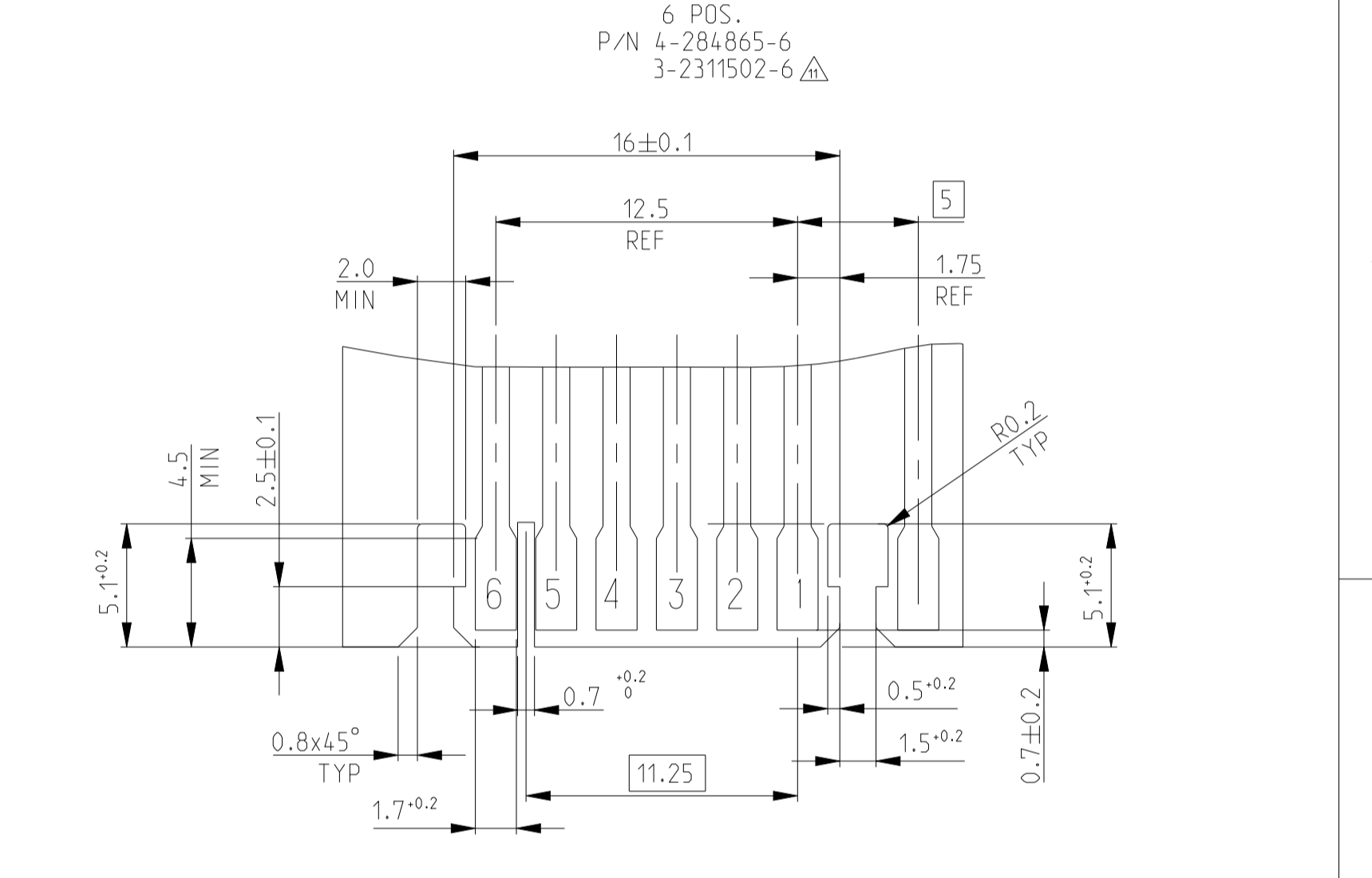
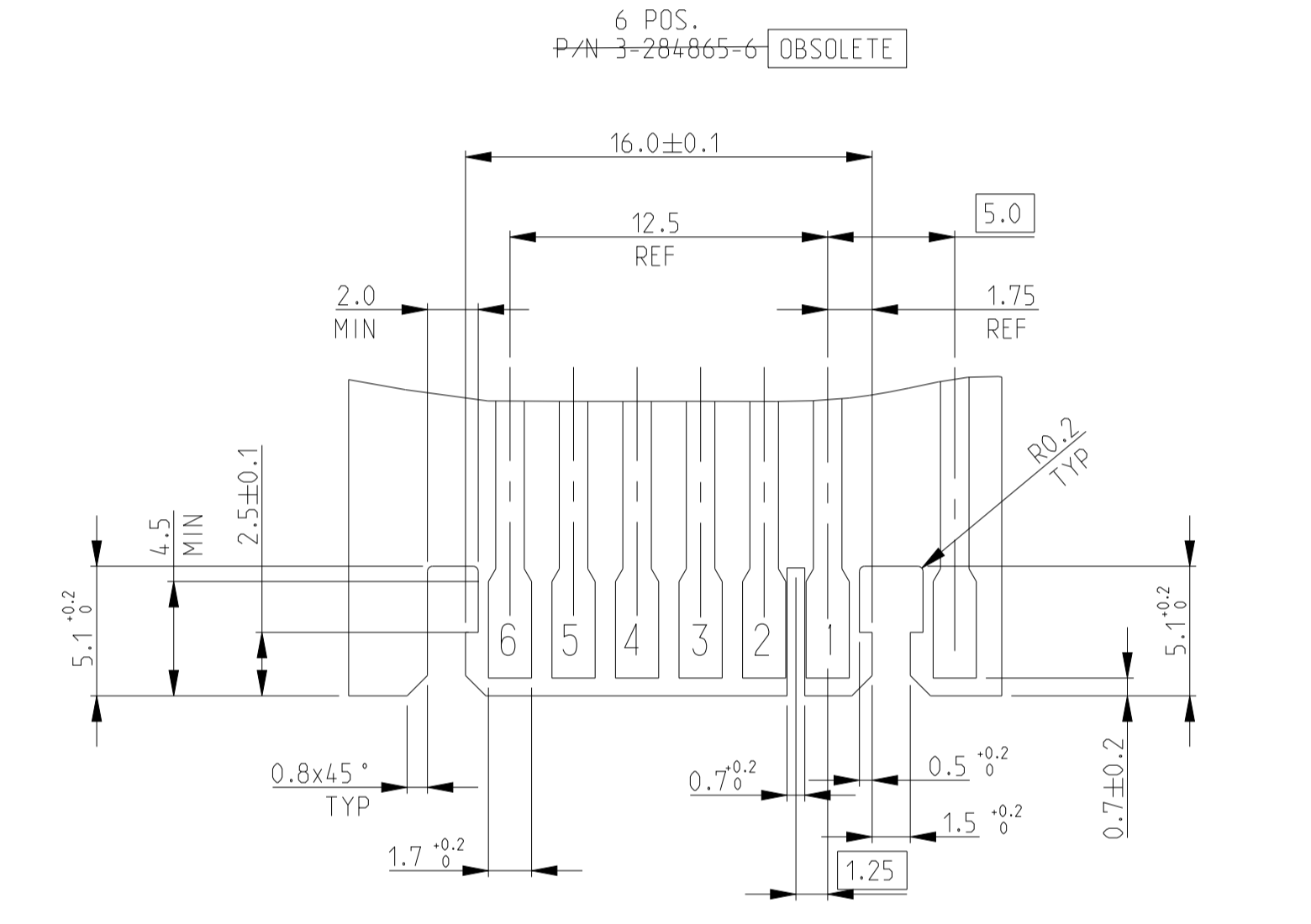
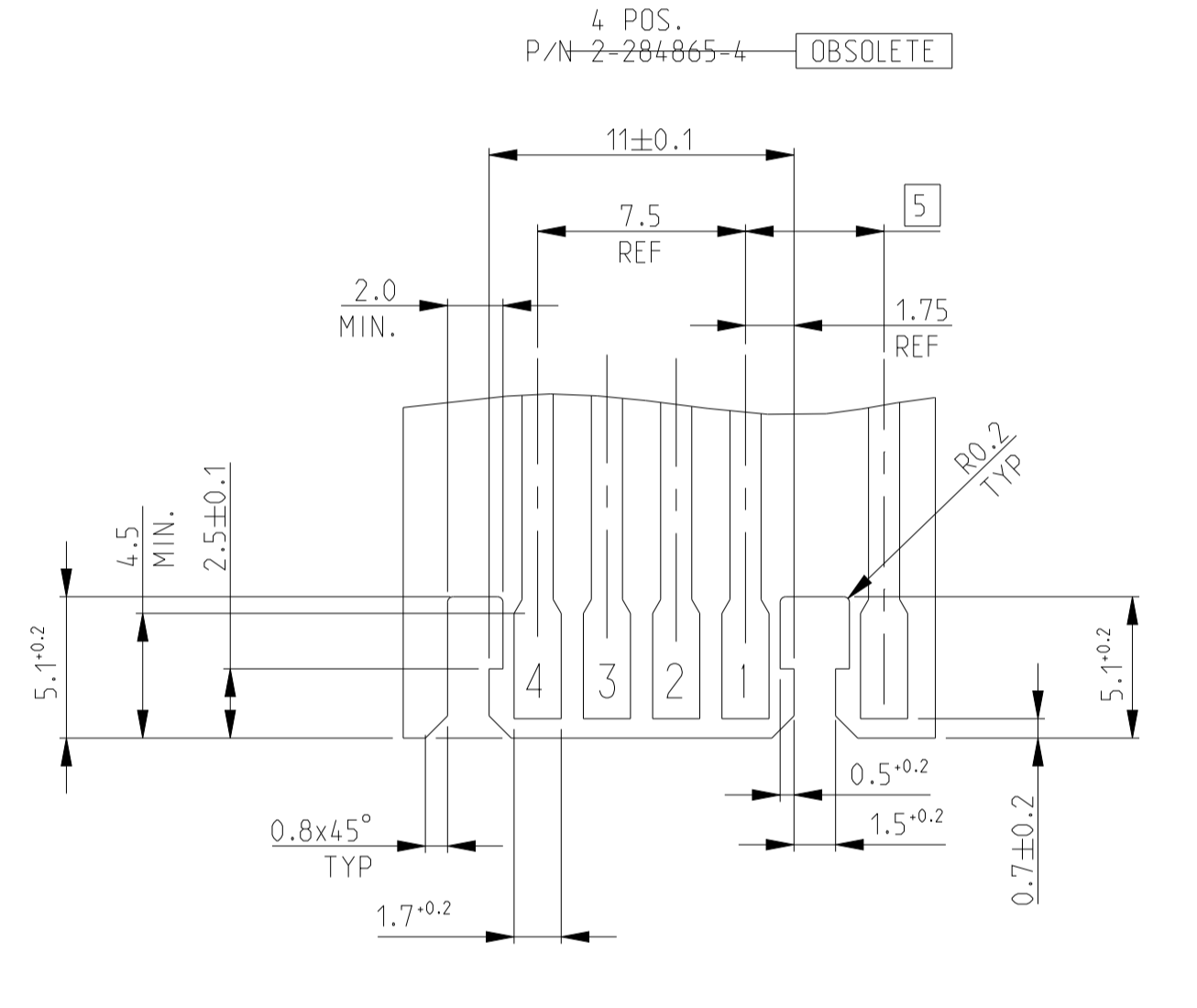
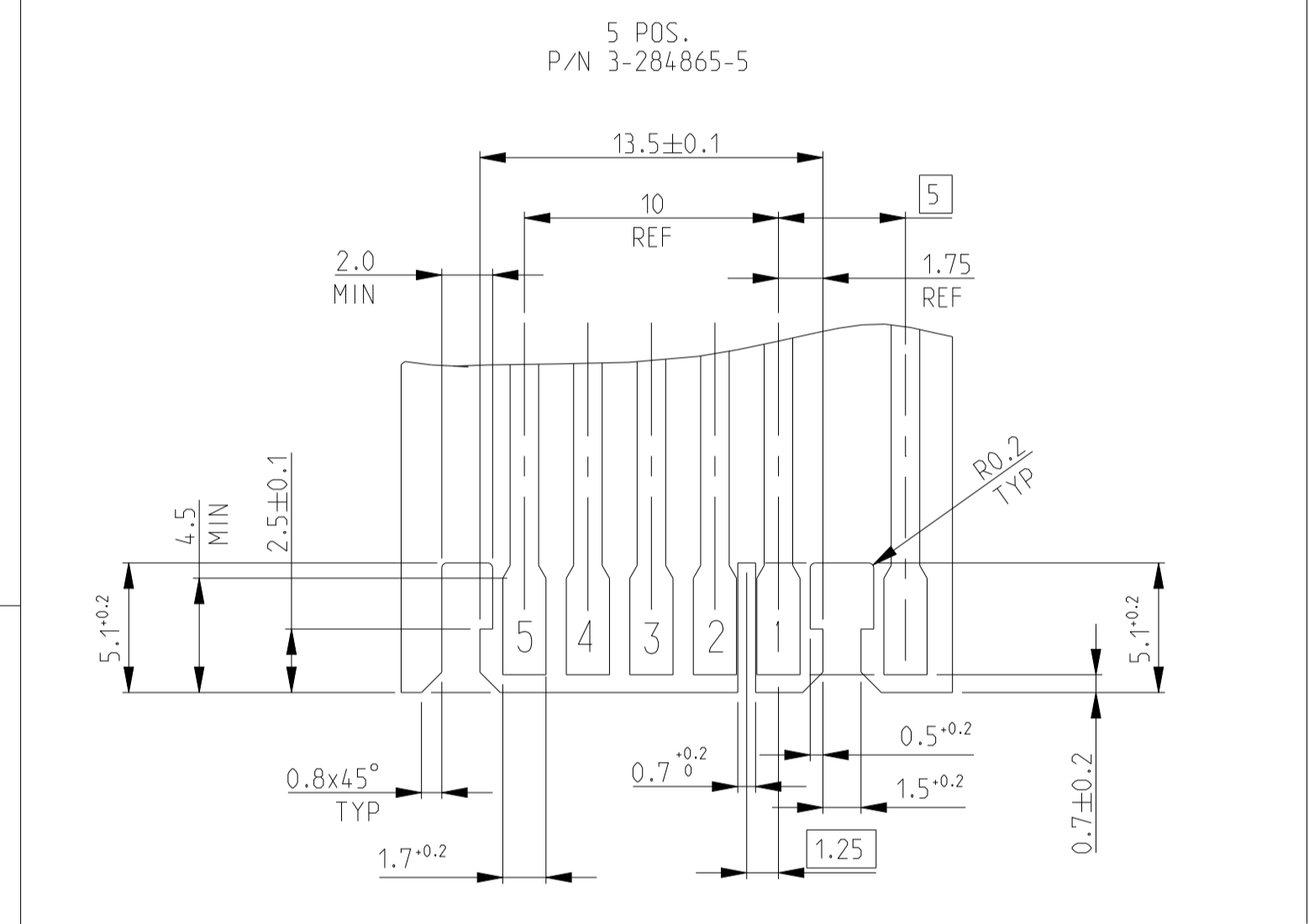
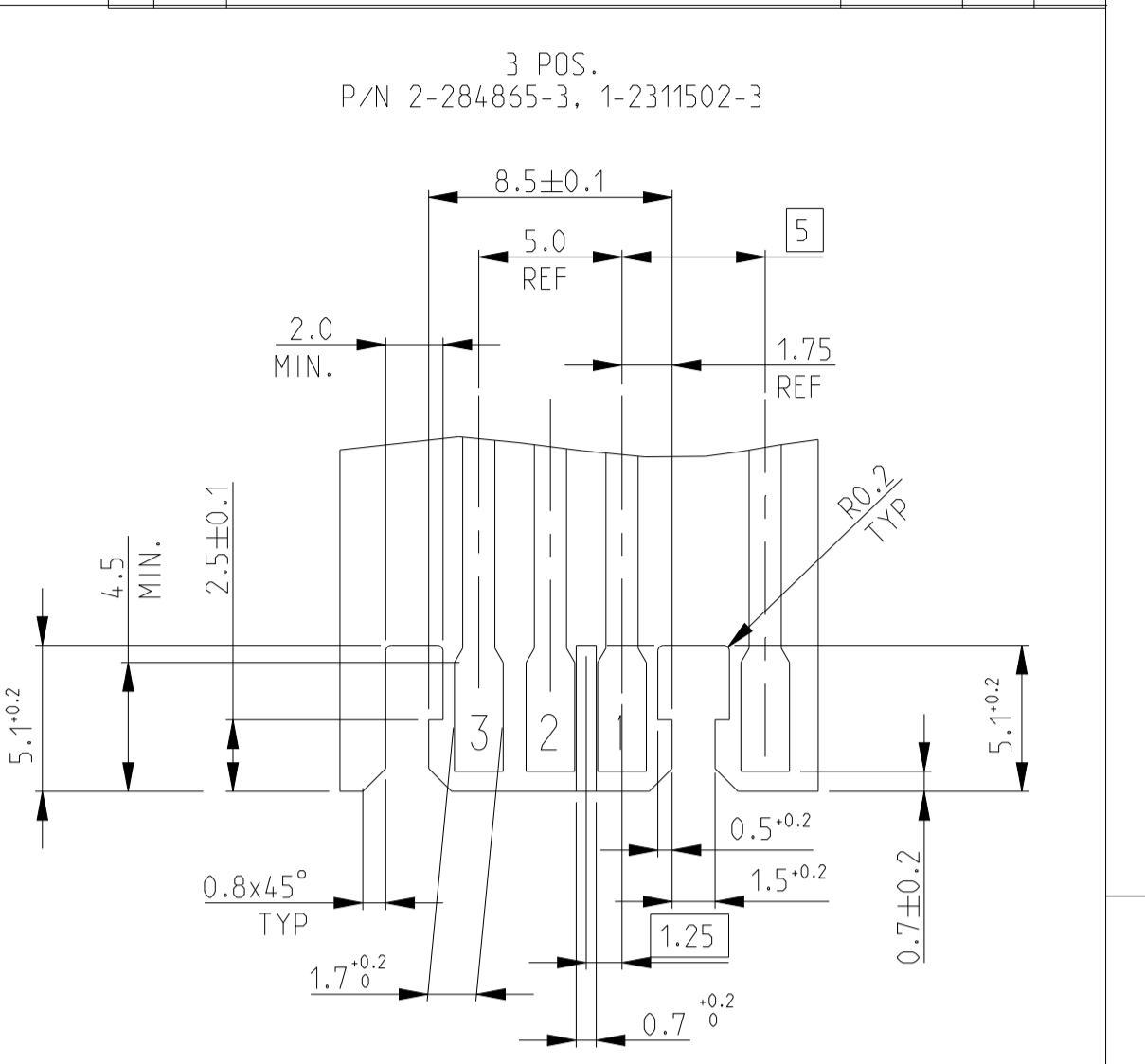
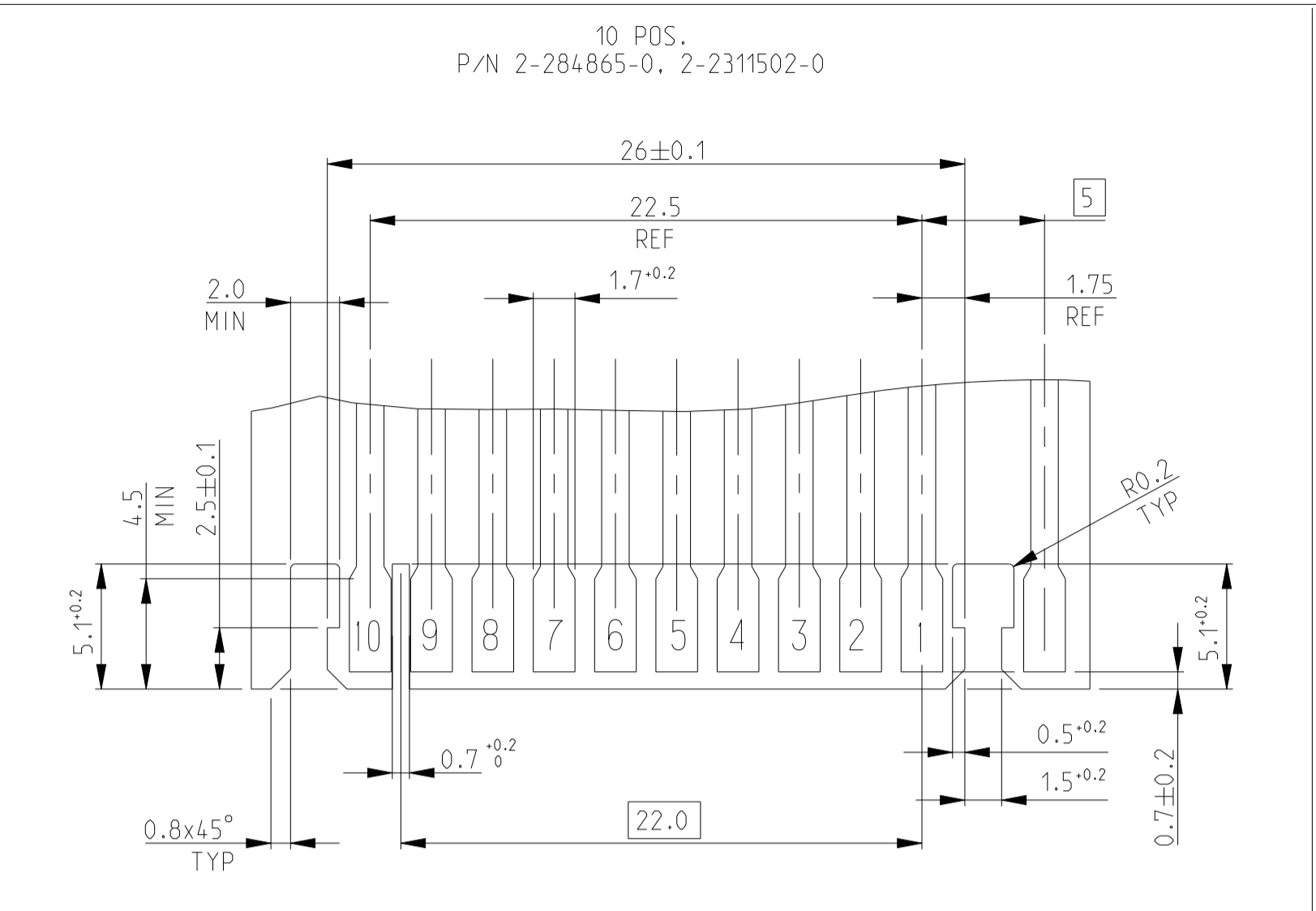
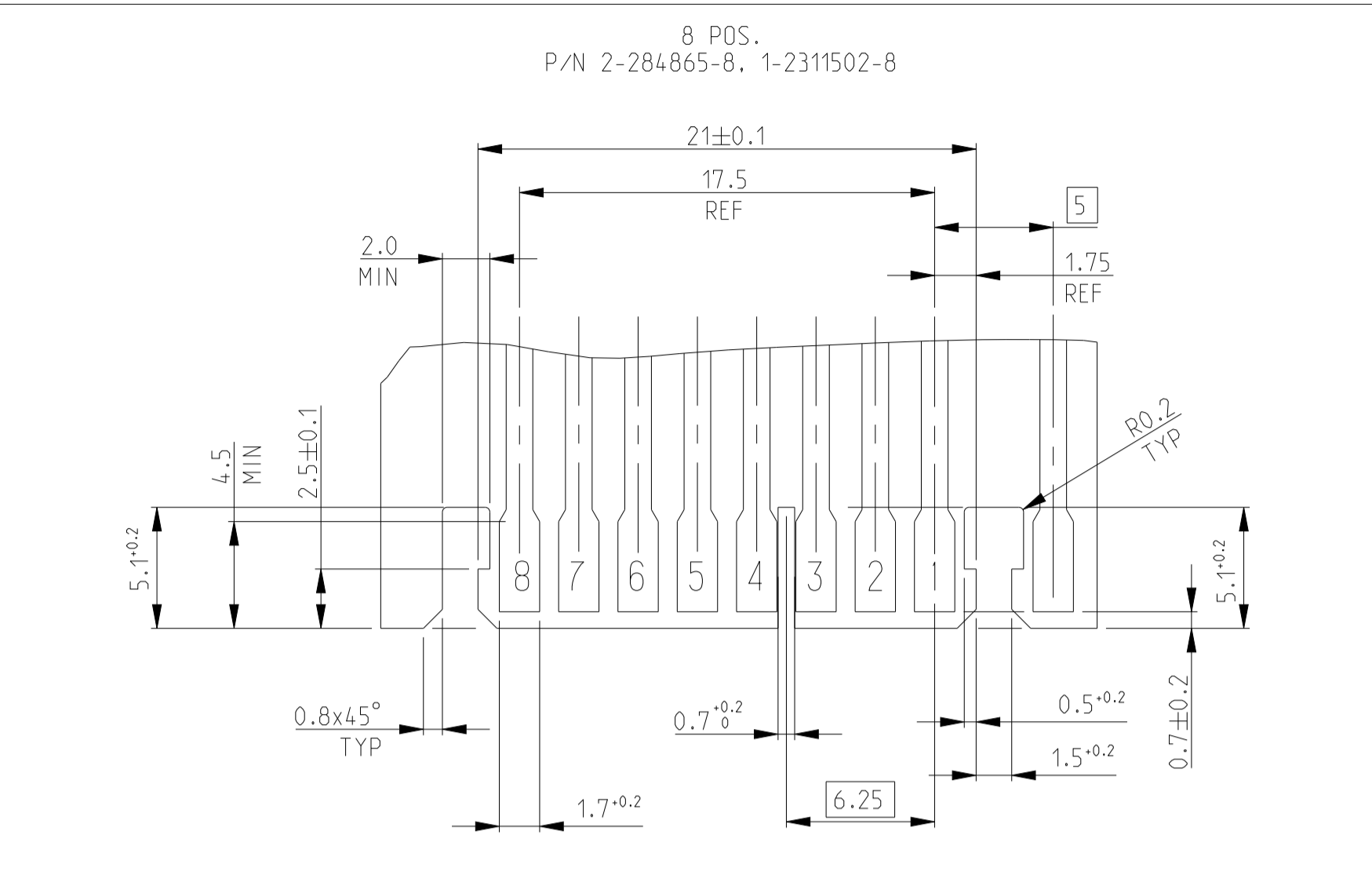
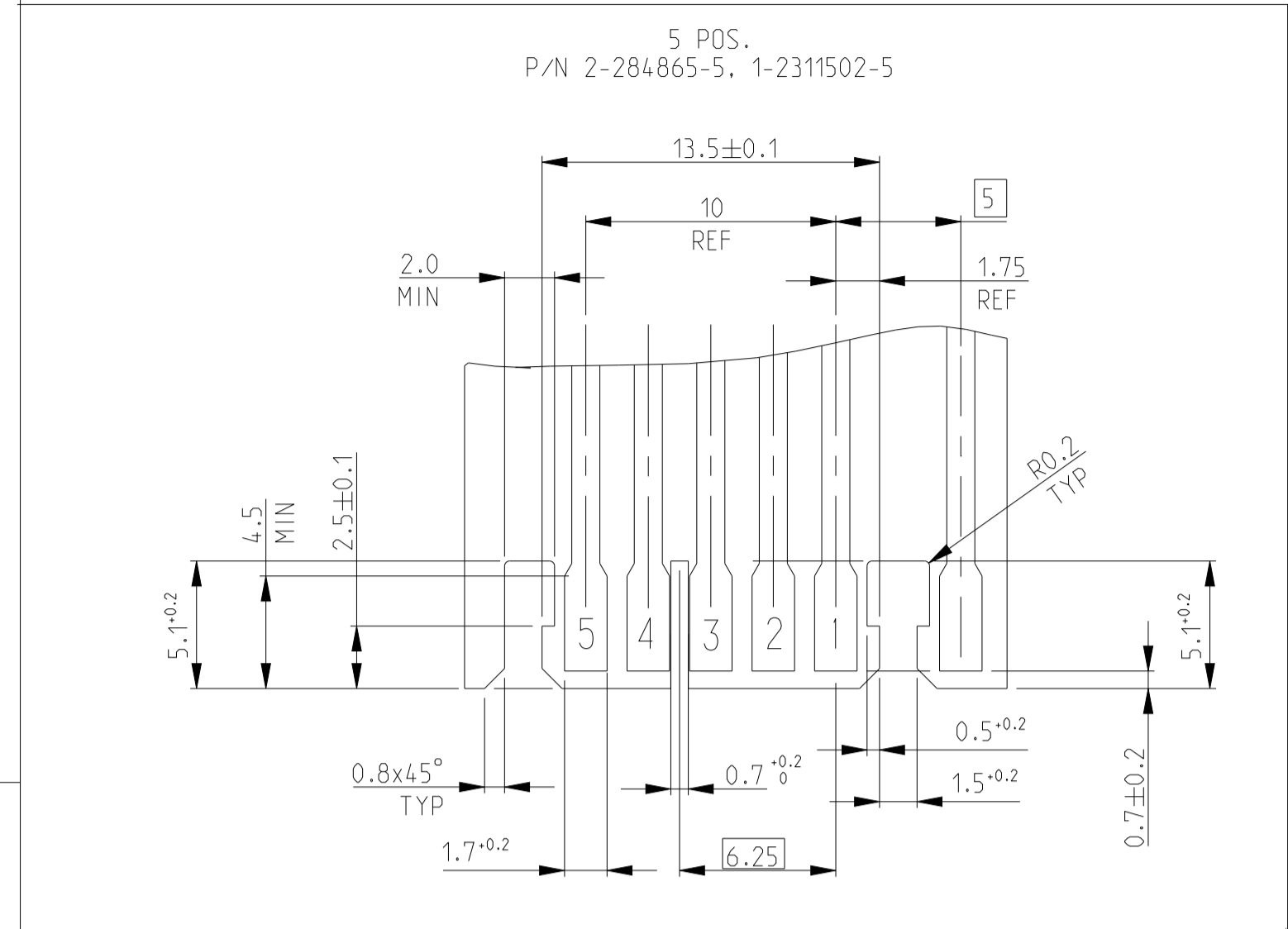
APVD	ES TURCO	NAME	DUOPLUG 2.5 FEMALE CONN., SIDE LOCKING KEYED (FULLY LOADED)
PRODUCT SPEC	108-20238	SIZE	A1
APPLICATION SPEC	116-18049-1	CAGE CODE	00779
WEIGHT	-	DRAWING NO	284865
Customer Drawing	SCALE 10:1	SHEET 2 OF 4	REV C 2

STE TE Connectivity

LOC		DIST		REVISIONS			
P	LTN	DESCRIPTION	DATE	OWN	APPV		
-	-	SEE SHEET 1	-	-	-		

PCB LAYOUT -Soldering side-

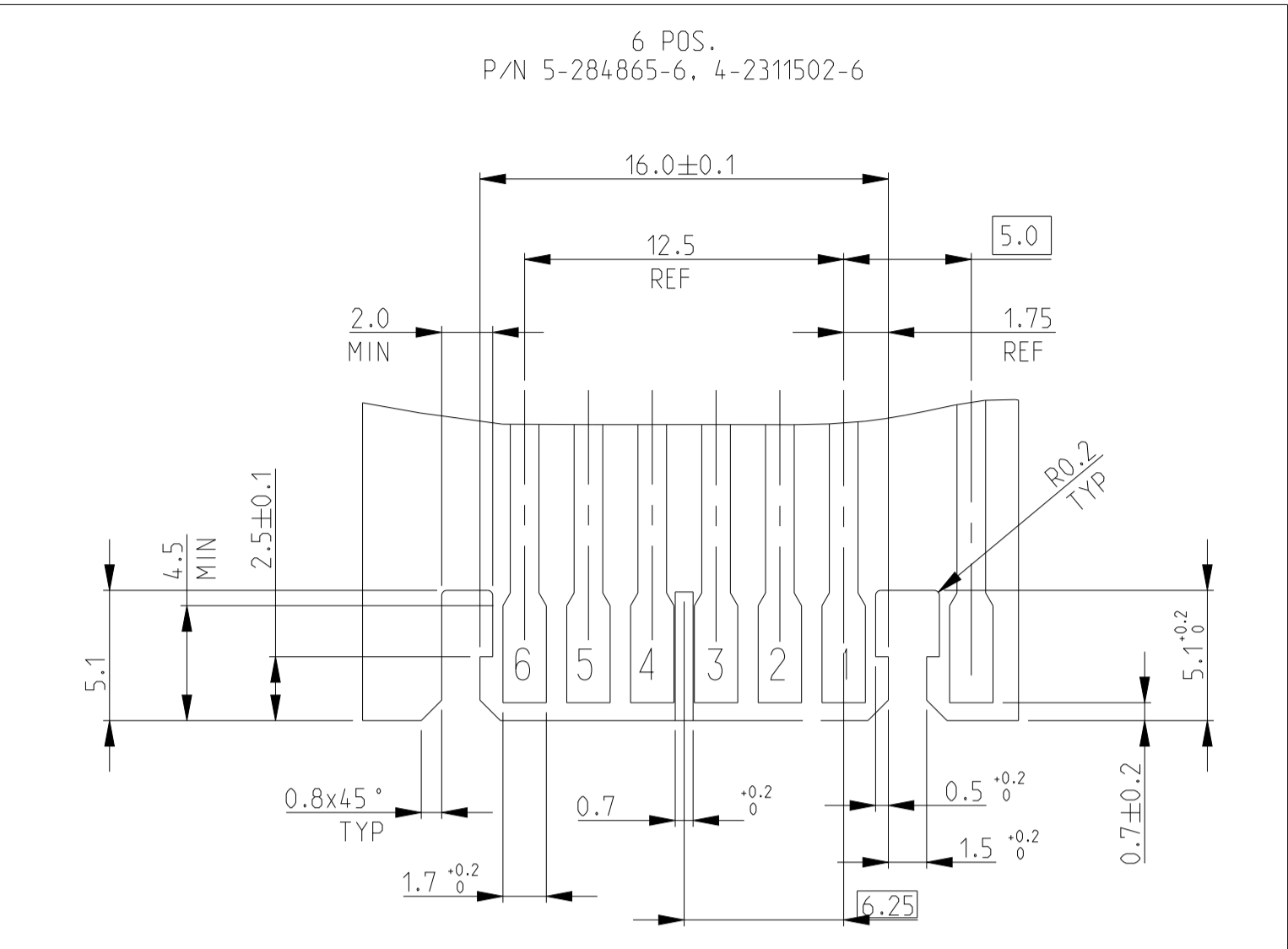
(SCALE 4:1)



THIS DRAWING IS A CONTROLLED DOCUMENT.		OWN R. FABRIS	03JUL2002	TE Connectivity	
DIMENSIONS: mm		CHK -	APV -		
TOLERANCES UNLESS OTHERWISE SPECIFIED:		0 PLC # # # # 1 PLC # # # # 2 PLC # # # # 3 PLC # # # # 4 PLC # # # # ANGLES # # # # °		DUOPLUG 2.5 FEMALE CONN., SIDE LOCKING KEYED (FULLY LOADED)	RESTRICTED TO
MATERIAL SEE TABLE		FINISH SEE TABLE		SIZE CAGE CODE DRAWING NO A1 00779 C=284865	SHEET 3 OF 4 REV C 2
		WEIGHT -		Customer Drawing	SCALE 10:1

PCB LAYOUT -Soldering side-

(SCALE 4:1)



LOC		DIST		REVISIONS			
		P	LTN	DESCRIPTION	DATE	DWN	APVD
		-		SEE SHEET 1	-	-	-

THIS DRAWING IS A CONTROLLED DOCUMENT. DWN R. FABRIS 03JUL2002
 CHK -

DIMENSIONS:	TOLERANCES UNLESS OTHERWISE SPECIFIED:	APVD - G. TURCO	NAME
mm	0 PLC ± 1 PLC ± 2 PLC ± 3 PLC ± 4 PLC ±	PRODUCT SPEC	DUOPLUG 2.5 FEMALE CONN., SIDE LOCKING KEYED (FULLY LOADED)
	ANGLES ±° FINISH	APPLICATION SPEC	
MATERIAL SEE TABLE	SEE TABLE	116-18049-1	SIZE CAGE CODE DRAWING NO
		WEIGHT -	A1 00779 C=284865
		Customer Drawing	RESTRICTED TO

SCALE 10:1 SHEET 4 OF 4 REV. 2