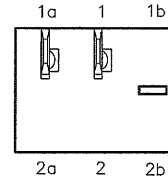
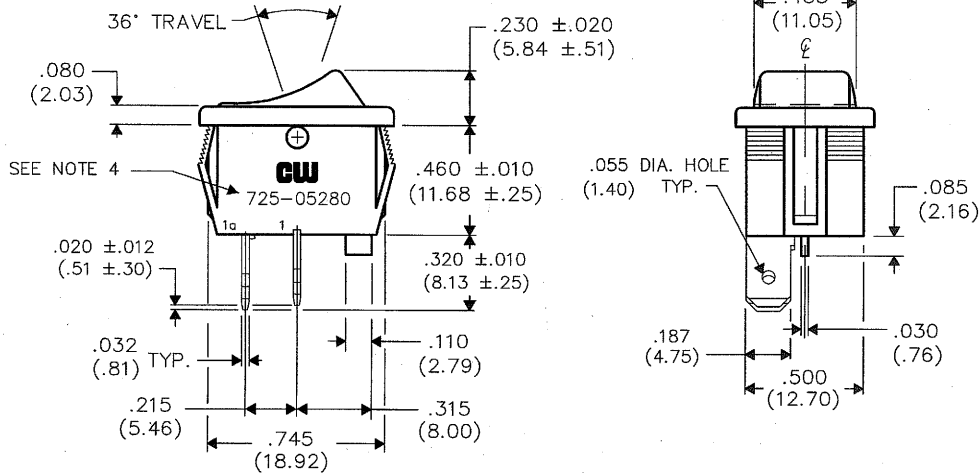


**PANEL PIERCING**



**BOTTOM VIEW  
(RELOCATED)**



**NOTES:**

1. TERMINAL/MOVING CONTACT MATERIAL - CU ALLOY (MICROFINISHED)
2. HOUSING MATERIAL - NYLON 6/6  
COLOR - BLACK
3. BUTTON MATERIAL - NYLON 6/6 15% GF  
COLOR - CRAFTSMAN RED RD4E065
4. CUSTOMER PART NUMBER LOCATION AS SHOWN ON DRAWING

**UL/CSA ELECTRICAL RATING:**

- 13A. 125V.A.C. 10A. 250V.A.C.  
1/2 H.P. 125-250V.A.C. 5A. 14V L

1 2 3 4 5 6 7 8 9 10

B-FORMAT 2002	<b>REVISIONS</b>
	0
	NEW RELEASE EJP 09-21-2010
	SEP 21 2010

ATTENTION

THIS DRAWING AND ITS ATTACHMENTS, IF ANY, ARE PROPRIETARY TO CW INDUSTRIES AND DESCRIBE DESIGNS THAT ARE CONFIDENTIAL AND MUST NOT BE DISCLOSED UNLESS AUTHORIZED, IN WRITING, BY AN OFFICER OF CW INDUSTRIES.....

PDF FILE MADE	<b>CW INDUSTRIES</b> Southampton, Pa. 18966	Title: <b>MINI SWITCH SNAP - IN S.P.- S.T. MOMENTARY</b>
	TOLERANCES UNLESS OTHERWISE SPECIFIED	
	2 Place Decimal ±.010 METRIC 3 Place Decimal ±.005 1 Place Dec. ±.25mm Angles ..... ±1' 2 Place Dec. ±.13mm	
	Made for: CW IND.	Division: <b>SWITCH</b>
Drawn by: EJP 09-21-2010		Dwg. No.
Checked by: <i>G. Gold 9-21-10</i>		<b>GRS-4011B-0037</b>
Approval: <i>Grand &amp; ... 9/21/10</i>		

MASTER