

MATERIALS AND FINISHES

BODY: BRASS
PLATED: NICKEL

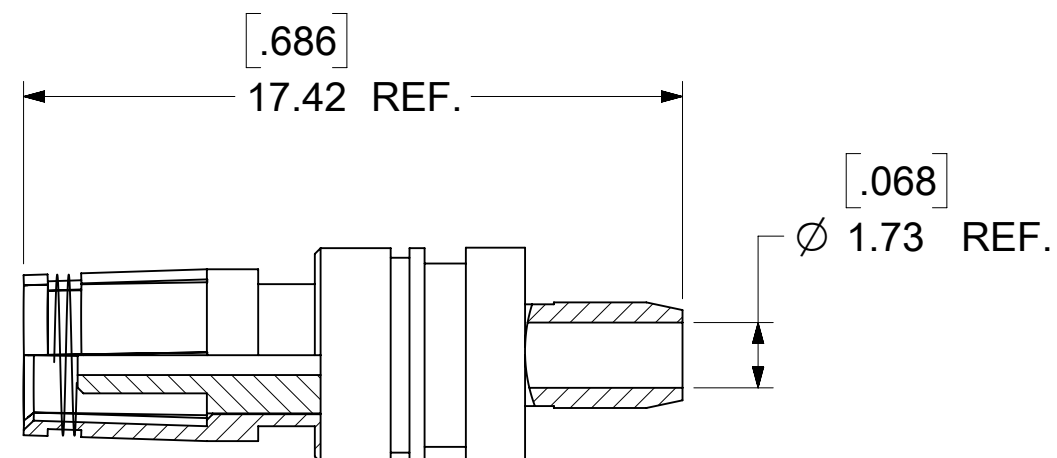
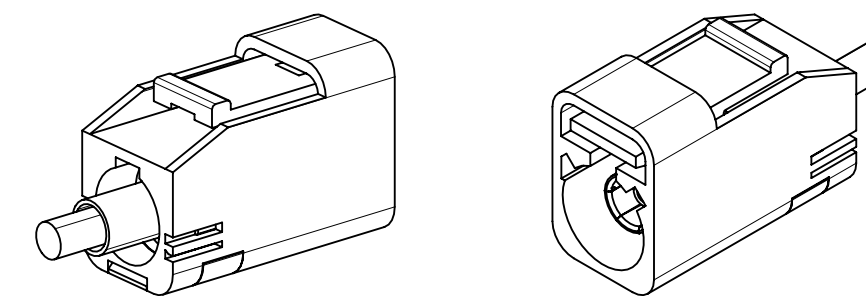
CENTER CONTACT: PHOSPOR BRONZE
PLATED: GOLD

CRIMP TUBE: BRASS
PLATED: NICKEL

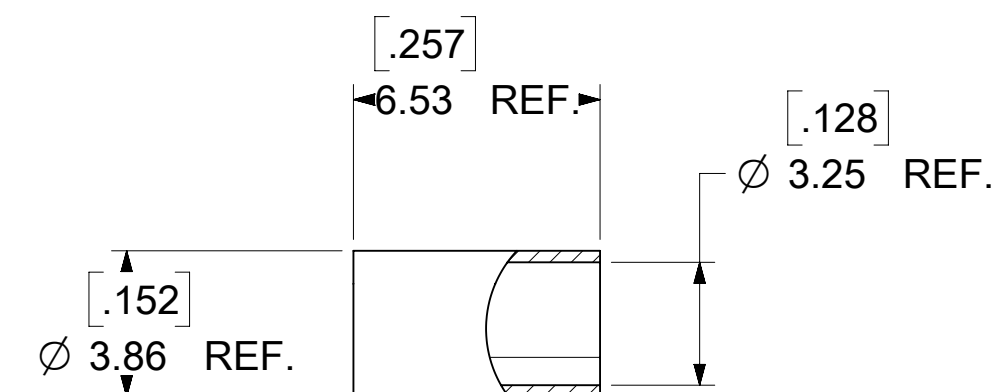
OUTER CASING: NYLON 66 OR EQUIVALENT
KEYING: SEE TABLE
COLOR: SEE TABLE

INSULATOR: PP

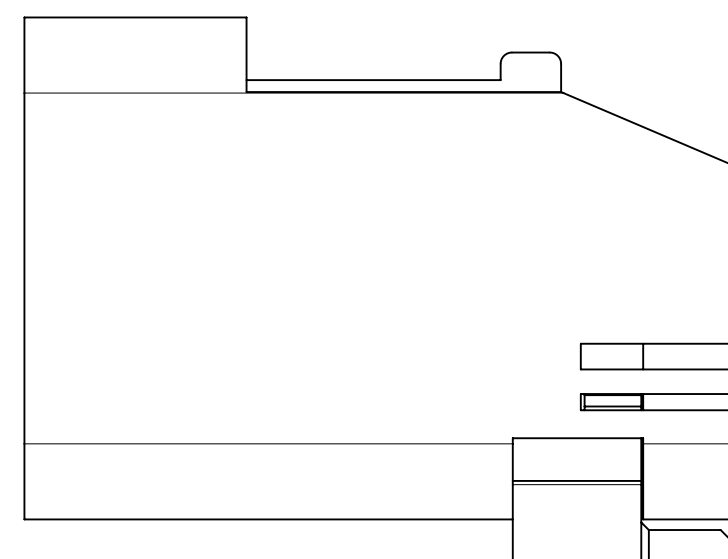
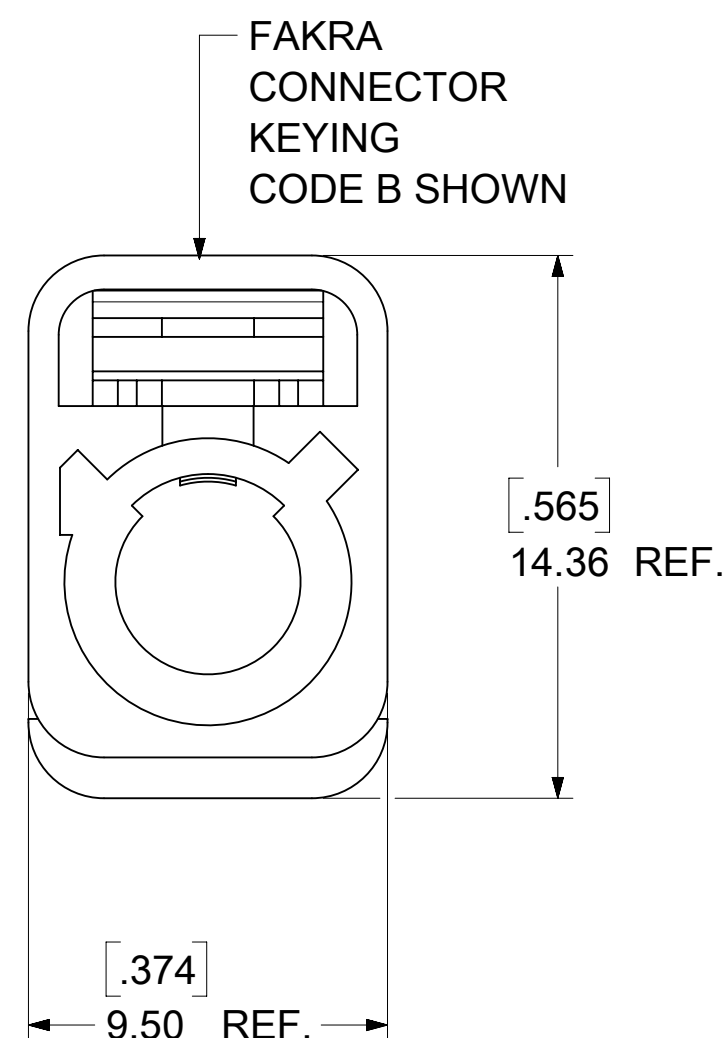
PACKAGING BY SINGLE BAG



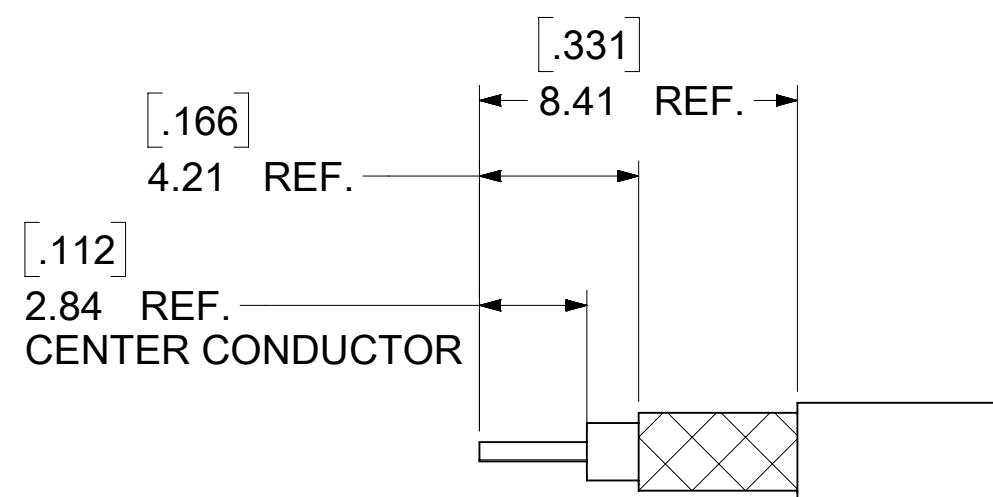
CENTER CONTACT
PART NO.: 89538-0781



CRIMP TUBE
PART NO.: 89613-1792




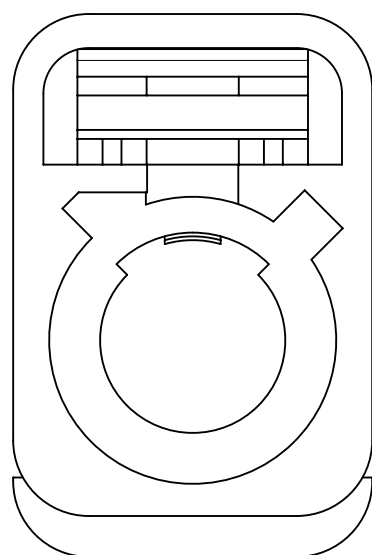
SECONDARY LOCK
(TPA)



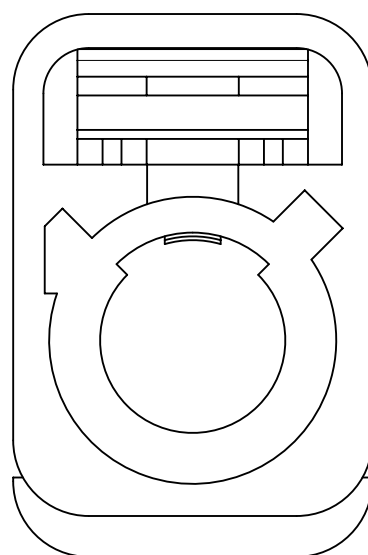
RECOMMENDED CABLE STRIP DIM.

AS-73597-045	ASSEMBLY INSTYUCTION
PS-89675-331	PRODUCT SPECIFICATION
DIN 72594-1	INTERFACE SPECIFICATION
SPECIFICATION	DESCRIPTION

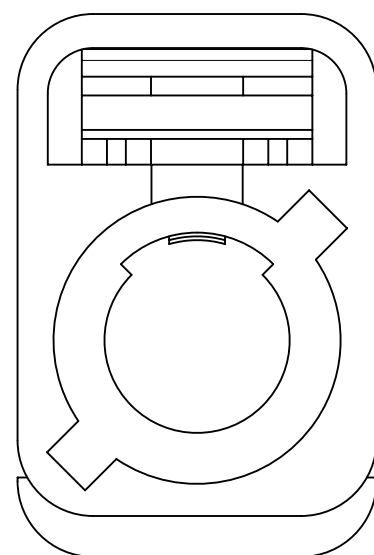
FUNCTIONAL SYMBOLS										THIS DRAWING CONTAINS INFORMATION THAT IS PROPRIETARY TO MOLEX ELECTRONIC TECHNOLOGIES, LLC AND SHOULD NOT BE USED WITHOUT WRITTEN PERMISSION									
FA = 0		HYBRID		SCALE		NTS		CURRENT REV DESC: ADDED NOTE PER EWR #		 <p>SMB PLUG FAKRA STR. 50 OHMS FOR RG316 FAKRA -PC</p> <p>PRODUCT CUSTOMER DRAWING</p> <p>DOCUMENT NUMBER: SD-73403-626</p> <p>DOC TYPE: PSD</p> <p>DOC PART: 001</p> <p>REVISION: A3</p> <p>SHEET NUMBER: 1 OF 3</p>									
FC = 0		GENERAL TOLERANCES (UNLESS SPECIFIED)		4 PLACES		±		EC NO: 744129											
FP = 0		ANGULAR TOL ± 2.0°		3 PLACES		±		DRWN: ELIN											
DIVISIONAL SYMBOLS		2 PLACES		±		1 PLACE		±		CHK'D: YCHENG		2023/03/31		APPR: YCHENG		2023/03/31			
0 PLACES		±		DRAFT WHERE APPLICABLE MUST REMAIN WITHIN DIMENSIONS		THIRD ANGLE PROJECTION		DRAWING		SERIES		MATERIAL NUMBER		CUSTOMER		SHEET NUMBER			
						C-SIZE		73403		SEE TABLE		GENERAL MARKET		1 OF 3					



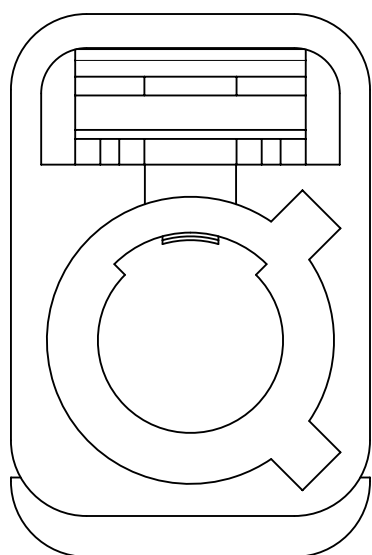
CODE A



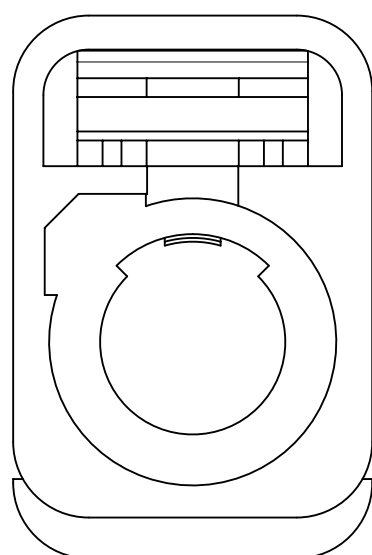
CODE B



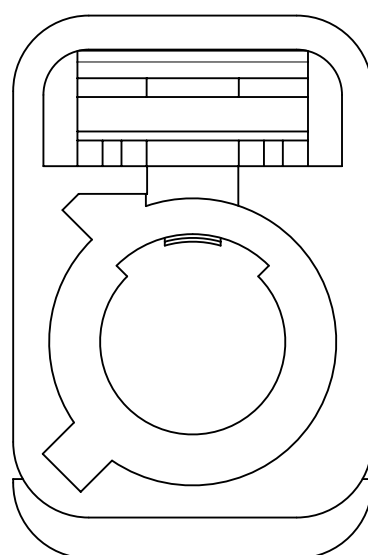
CODE C



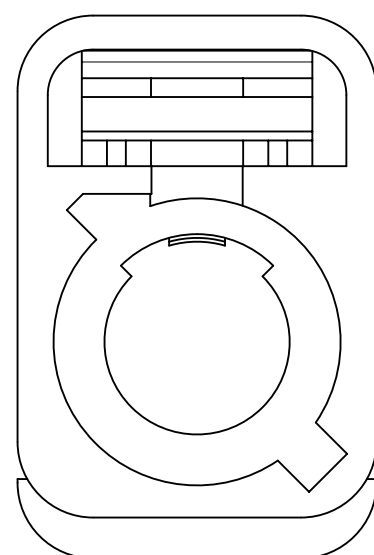
CODE D



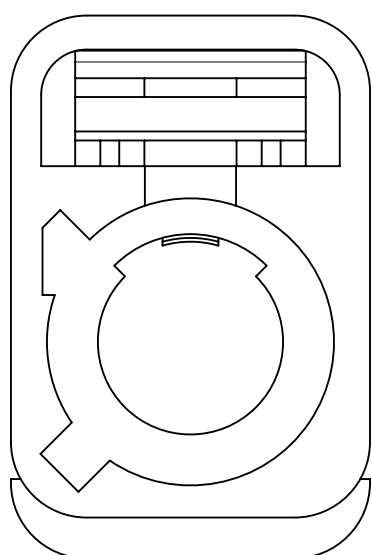
CODE E



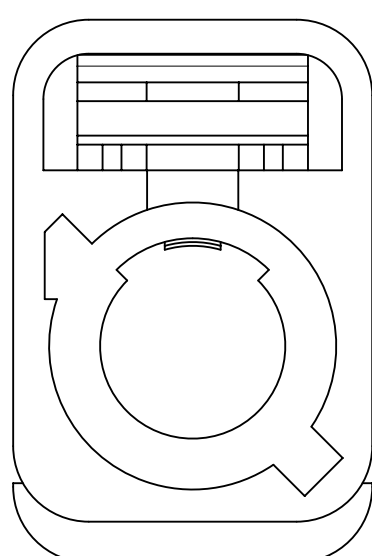
CODE F



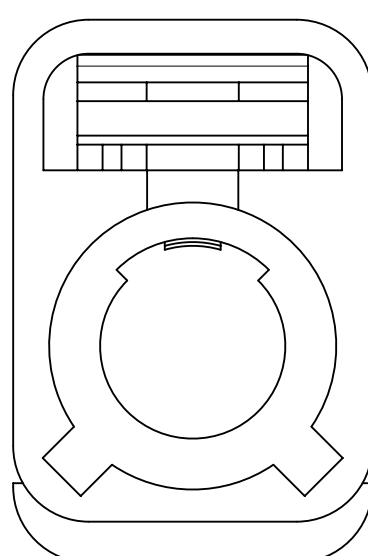
CODE G



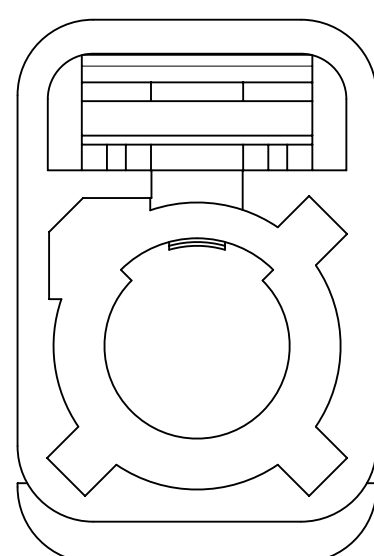
CODE H



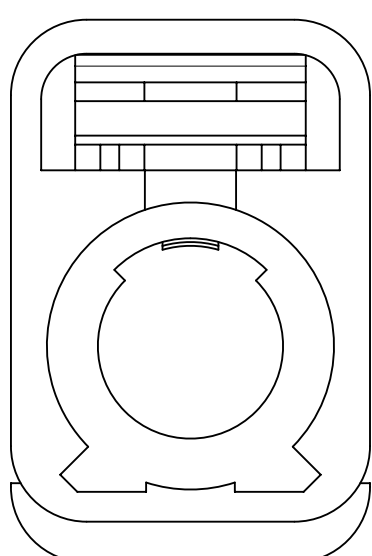
CODE I



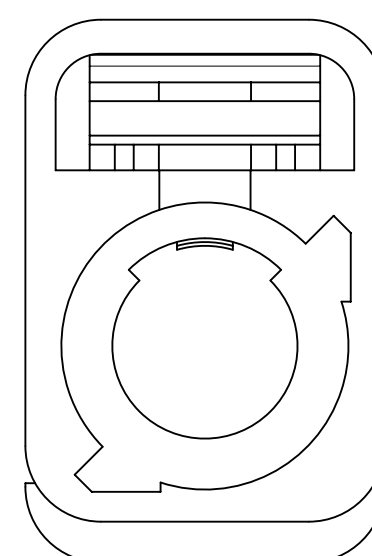
CODE K



CODE Z



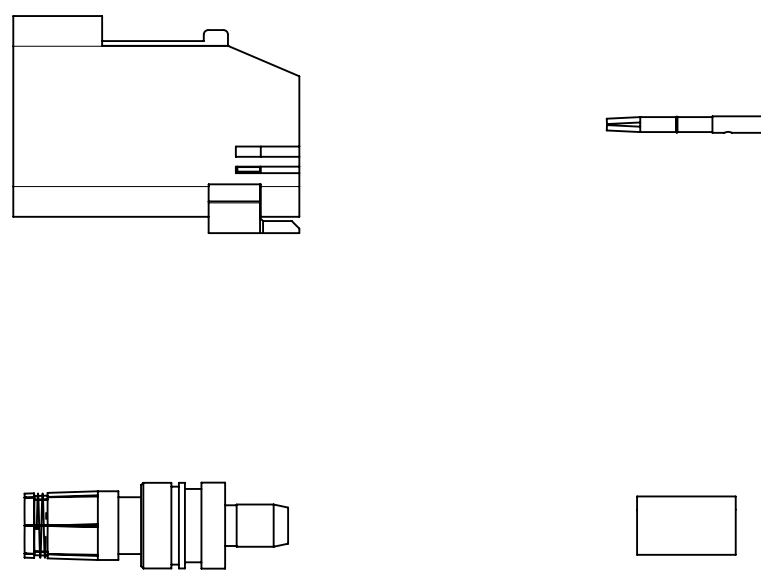
CODE M
CODE L



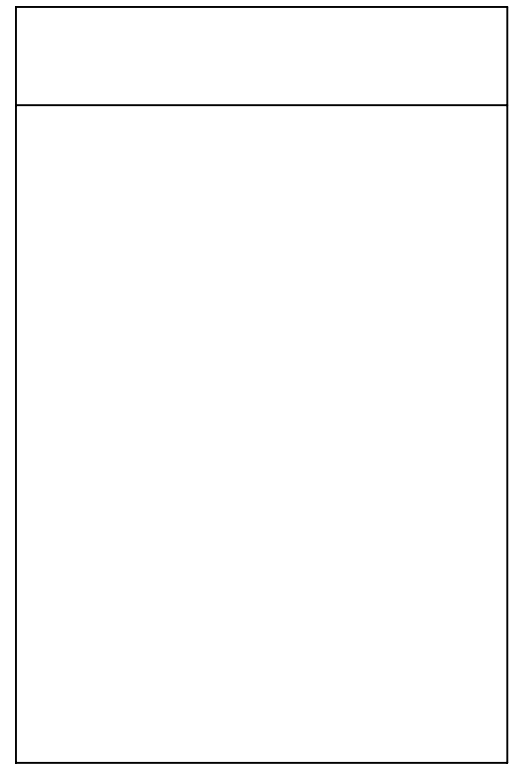
CODE N

N	PASTEL GREEN	73403-6273	SINGLE BAG	73403-8973	BULK PACK
M	PASTEL ORANGE	73403-6272		73403-8982	
L	CARMINE RED	73403-6271		73403-8981	
Z	WATER BLUE	73403-6270		73403-8980	
K	CURRY YELLOW	73403-6269		73403-8979	
I	BEIGE	73403-6268		73403-8978	
H	VIOLET	73403-6267		73403-8977	
G	GRAY	73403-6266		73403-8976	
F	BROWN	73403-6265		73403-8975	
E	GREEN	73403-6264		73403-8974	
D	BORDEAUXVIOLET	73403-6263		73403-8973	
C	BLUE	73403-6262		73403-8972	
B	SINGLE WHITE	73403-6261		73403-8971	
A	BLACK	73403-6260	73403-8970		
KEYING CODE	COLOR	PART NO.	PACKAGE	PART NO.	PACKAGE

FUNCTIONAL SYMBOLS										THIS DRAWING CONTAINS INFORMATION THAT IS PROPRIETARY TO MOLEX ELECTRONIC TECHNOLOGIES, LLC AND SHOULD NOT BE USED WITHOUT WRITTEN PERMISSION									
DIMENSION UNITS		SCALE		CURRENT REV DESC: ADDED NOTE PER EWR # 15738-A															
HYBRID		NTS		<p>molex</p> <p>SMB PLUG FAKRA STR. 50 OHMS FOR RG316 FAKRA -PC</p> <p>PRODUCT CUSTOMER DRAWING</p>															
GENERAL TOLERANCES (UNLESS SPECIFIED)																			
ANGULAR TOL ± 2.0°																			
DIVISIONAL SYMBOLS		4 PLACES ±		EC NO: 744129		2023/03/23		DRWN: ELIN		2023/03/31		CHK'D: YCHENG		2023/03/31		APPR: YCHENG		2023/03/31	
		3 PLACES ±		INITIAL REVISION:				DRWN: ELIN		2012/12/05		APPR: MHUANG		2013/07/10		DOCUMENT NUMBER		DOC TYPE DOC PART REVISION	
		2 PLACES ±		SD-73403-626				PSD		001		A3							
		1 PLACE ±		DRAFT WHERE APPLICABLE		THIRD ANGLE PROJECTION		DRAWING		SERIES		MATERIAL NUMBER		CUSTOMER		SHEET NUMBER			
		0 PLACES ±		MUST REMAIN WITHIN DIMENSIONS		C-SIZE		73403		SEE TABLE		GENERAL MARKET		2 OF 3					



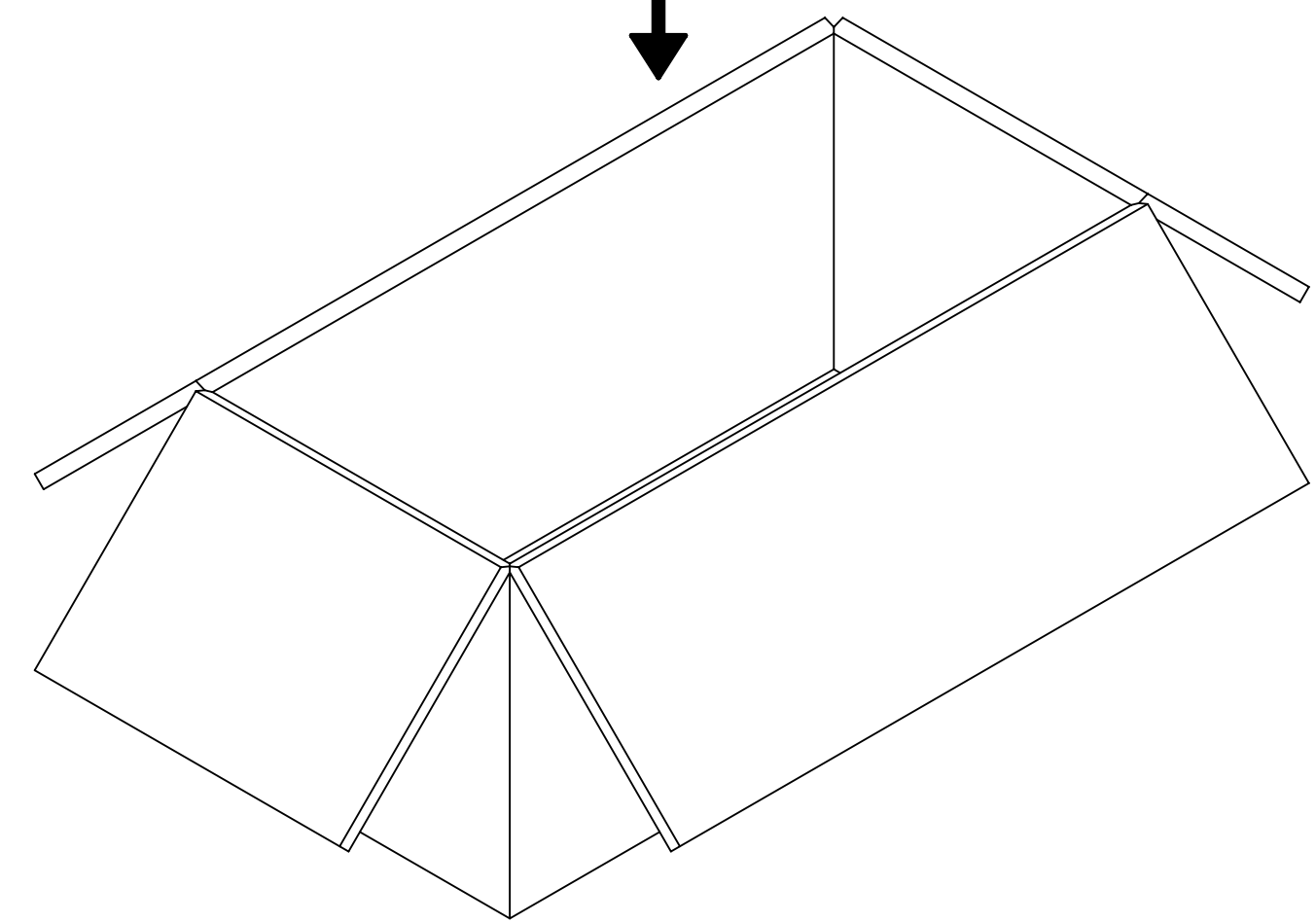
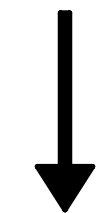
SHROUD WITH TPA x1
 CRIMP TUBE x1
 SMB SUB ASSY x1
 CENTER CONTACT x1



1 SET PER BAG
 BAG P/N: 89707-0317



50 SET PER BAG
 BAG P/N: 89707-0174
 6" x 12"



500 SET PER CARTON BOX
 P/N: 96707-0002
 367*176*188mm

THIS DRAWING CONTAINS INFORMATION THAT IS PROPRIETARY TO MOLEX ELECTRONIC TECHNOLOGIES, LLC AND SHOULD NOT BE USED WITHOUT WRITTEN PERMISSION																																				
FUNCTIONAL SYMBOLS	THIS DRAWING CONTAINS INFORMATION THAT IS PROPRIETARY TO MOLEX ELECTRONIC TECHNOLOGIES, LLC AND SHOULD NOT BE USED WITHOUT WRITTEN PERMISSION	SCALE		CURRENT REV DESC: ADDED NOTE PER EWR # 15738-A																																
	<table border="1"> <tr> <td>FA = 0</td> <td>HYBRID</td> <td>NTS</td> </tr> <tr> <td>FC = 0</td> <td colspan="2">GENERAL TOLERANCES (UNLESS SPECIFIED)</td> </tr> <tr> <td>FD = 0</td> <td colspan="2">ANGULAR TOL ± 2.0°</td> </tr> <tr> <td colspan="3">DIVISIONAL SYMBOLS</td> </tr> <tr> <td></td> <td>4 PLACES</td> <td>±</td> </tr> <tr> <td></td> <td>3 PLACES</td> <td>±</td> </tr> <tr> <td></td> <td>2 PLACES</td> <td>±</td> </tr> <tr> <td></td> <td>1 PLACE</td> <td>±</td> </tr> <tr> <td></td> <td>0 PLACES</td> <td>±</td> </tr> </table>	FA = 0	HYBRID	NTS	FC = 0	GENERAL TOLERANCES (UNLESS SPECIFIED)		FD = 0	ANGULAR TOL ± 2.0°		DIVISIONAL SYMBOLS				4 PLACES	±		3 PLACES	±		2 PLACES	±		1 PLACE	±		0 PLACES	±	EC NO: 744129	2023/03/23	<div style="text-align: center;">molex</div> <p>SMB PLUG FAKRA STR. 50 OHMS FOR RG316 FAKRA -PC</p> <p>PRODUCT CUSTOMER DRAWING</p>					
FA = 0	HYBRID	NTS																																		
FC = 0	GENERAL TOLERANCES (UNLESS SPECIFIED)																																			
FD = 0	ANGULAR TOL ± 2.0°																																			
DIVISIONAL SYMBOLS																																				
	4 PLACES	±																																		
	3 PLACES	±																																		
	2 PLACES	±																																		
	1 PLACE	±																																		
	0 PLACES	±																																		
DRAFT WHERE APPLICABLE MUST REMAIN WITHIN DIMENSIONS		DRWN: ELIN	2023/03/31																																	
THIRD ANGLE PROJECTION		CHK'D: YCHENG	2023/03/31	INITIAL REVISION:		DOCUMENT NUMBER	DOC TYPE	DOC PART	REVISION	SD-73403-626 PSD 001 A3																										
		APPR: YCHENG	2023/03/31	DRWN: ELIN 2012/12/05 APPR: MHUANG 2013/07/10		MATERIAL NUMBER	CUSTOMER	SHEET NUMBER																												
				C-SIZE	SERIES	73403	SEE TABLE	GENERAL MARKET	3 OF 3																											