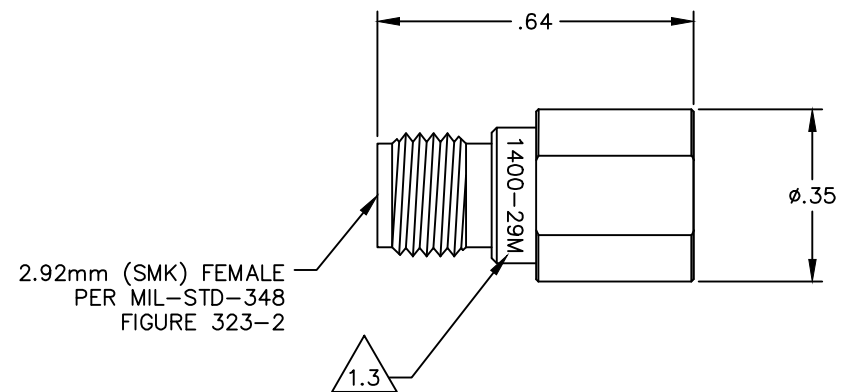


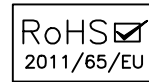
MODEL NUMBER  
CGT-1400-F0-29M-02

NOTES:

1. MATERIAL & FINISH:
  - 1.1 HOUSING & COUPLING NUT: PASSIVATED STAINLESS STEEL
  - 1.2 CENTER CONTACT: GOLD PLATED BERYLLIUM COPPER
  - 1.3 MARKING: LASER MARK ON SURFACE AS SHOWN, LOCATION AND SIZE OPTIONAL.
  - 1.4 PACKAGING: 1 PER BAG
2. ELECTRICAL:
  - 2.1 FREQUENCY RANGE: DC TO 40 GHz
  - 2.2 IMPEDANCE: 50 OHMS NOMINAL
  - 2.3 VSWR (MAX): 1.22:1
  - 2.4 INPUT POWER (MAX): 1/4 WATT (CW) AT +25°C
3. MECHANICAL:
  - 3.1 MATING TORQUE: 7-10 INCH POUNDS
  - 3.2 DURABILITY: 500 CYCLES MIN
4. ENVIRONMENTAL:
  - 4.1 OPERATING TEMPERATURE: -55°C TO +125°C
  - 4.2 THERMAL SHOCK: MIL-STD-202, METHOD 107, CONDITION B.
  - 4.3 SHOCK: MIL-STD-202, METHOD 213, CONDITION I
  - 4.4 VIBRATION: MIL-STD-202, METHOD 204, CONDITION D
  - 4.5 MOISTURE RESISTANCE: MIL-STD-202, METHOD 106
  - 4.6 SALT SPRAY: MIL-STD-202, METHOD 101, CONDITION B




REV.	DESCRIPTION	DATE
001	ECO TBD	2/18/20



NOTICE: The information contained in this drawing is proprietary and must not be used without the permission of Cinch Connectivity Solutions.

UNLESS OTHERWISE NOTED DIMENSIONS ARE IN INCHES AND TOLERANCES ARE:  
 3 PLACE DECIMALS ±.005  
 2 PLACE DECIMALS ±.02  
 FRACTIONS ±1/64  
 PARALLELITY: T.I.R. \_\_\_\_\_  
 FLATNESS: T.I.R. \_\_\_\_\_  
 CONCENTRICITY: T.I.R. \_\_\_\_\_  
 ANGLES AND PERPENDICULARITY: ±2'

CAGE CODE <b>34078</b>		<b>MIDWEST MICROWAVE</b>	
		TITLE FEMALE TERMINATION 2.92mm, 50 OHMS	
		DRAWING NUMBER CGT-1400-F0-29M-02-01	REV. 001
DRAWN/DATE J. KEREKES 1/13/20	ENG./DATE T. URBANEK 1/16/20	CHECKED/DATE M. DVORAK 1/16/20	SCALE: NTS SHEET 1 of 1