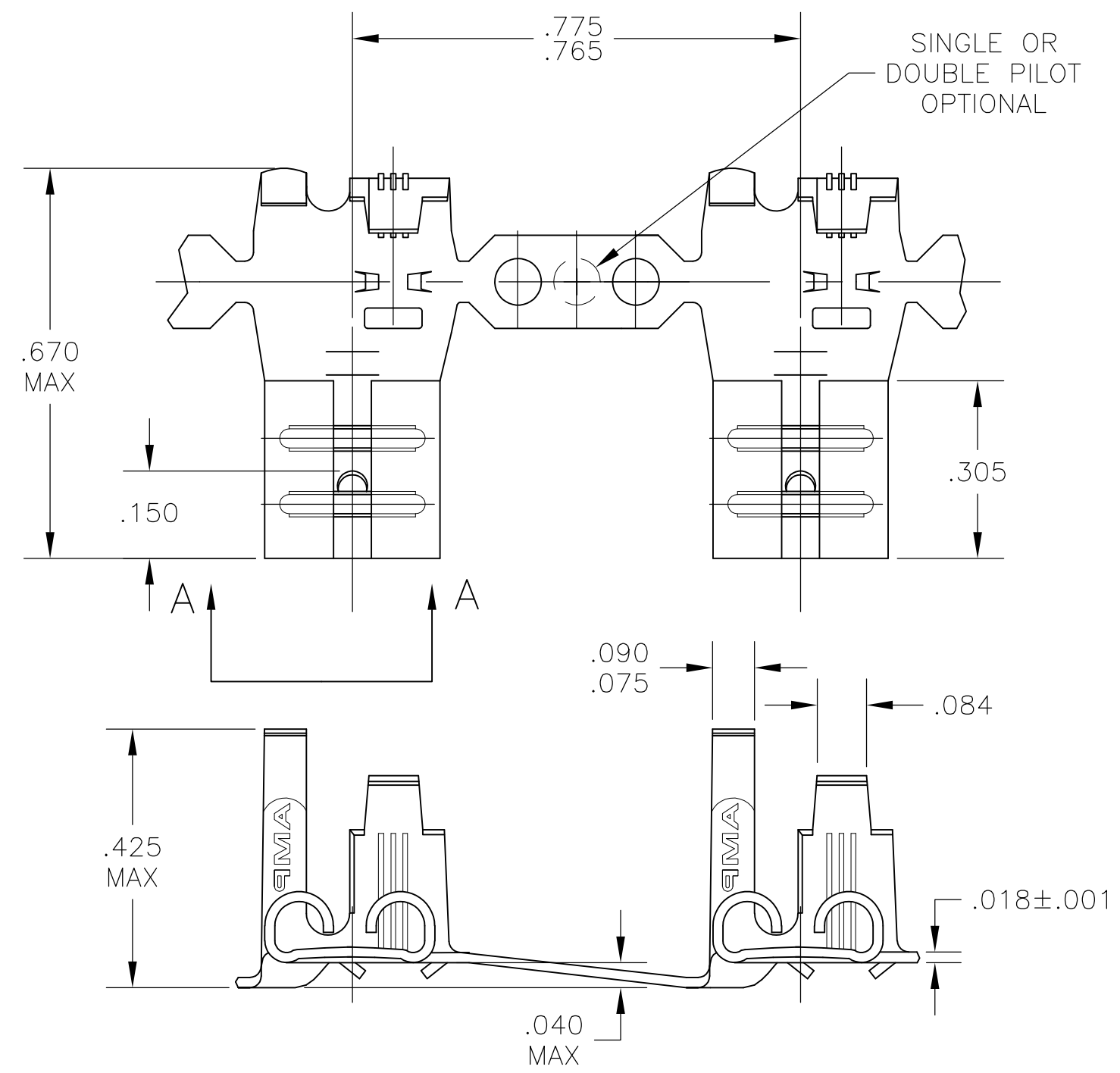


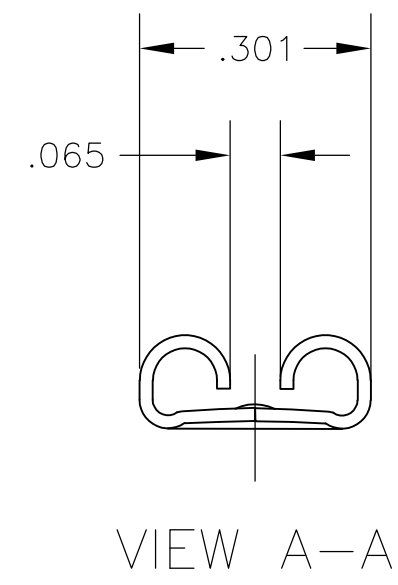
THIS DRAWING IS UNPUBLISHED.      RELEASED FOR PUBLICATION  
 © COPYRIGHT - By -      ALL RIGHTS RESERVED.

LOC	DIST	REVISIONS					
AF	50	P	LTR	DESCRIPTION	DATE	DWN	APVD
		E		REVISED PER ECR-12-013459	29NOV2012	KH	PD



SINGLE OR  
DOUBLE PILOT  
OPTIONAL

- 1 CONTINUOUS STRIP ON REELS
- 2 MATING TAB THK IS .032±.001.
- 3 WIRE SIZE IS #18-#12 AWG
- 4 INSULATION RANGE IS .110-.210 DIA.



61156-1  
PART NO.

THIS DRAWING IS A CONTROLLED DOCUMENT.		DWN	JR RUTH	18OCT02	<b>STE</b> TE Connectivity					
DIMENSIONS: INCHES 		CHK	P DESANTIS	18OCT02						
		APVD	P DESANTIS	18OCT02						
TOLERANCES UNLESS OTHERWISE SPECIFIED: 0 PLC ± - 1 PLC ± - 2 PLC ± - 3 PLC ± .015 4 PLC ± - ANGLES ± -		PRODUCT SPEC	NAME			RECEPTACLE, FLAG, FASTON, .250 SERIES				
MATERIAL		APPLICATION SPEC	SIZE		CAGE CODE	DRAWING NO	RESTRICTED TO			
BRASS		FINISH	SILVER		—	A300779	C-61156	—		
CUSTOMER DRAWING					SCALE	4:1	SHEET	1 OF 1	REV	E