

SPECIFICATIONS:

MATERIALS:

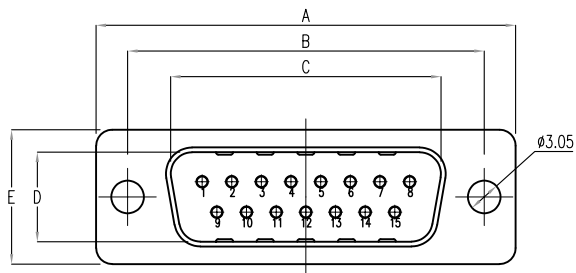
INSULATOR: GLASS-FILLED NYLON THERMOPLASTIC, UL94 V-0
 PROCESS TEMP: 260°C
 CONTACTS: GOLD PLATED BRASS
 SHELL: NICKEL PLATED STEEL
 SEALING MATERIAL: F08 FLEXIBLE ADHESIVE

ELECTRICAL:

RATED CURRENT: 5A
 WORKING VOLTAGE: 250VAC
 INSULATION RESISTANCE: 1000 MOhms MIN.
 CONTACT RESISTANCE: 15 mOhms MAX.

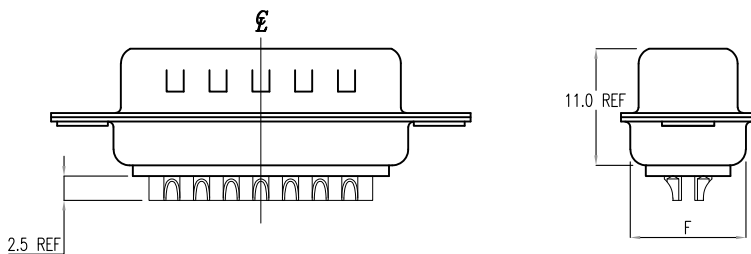
ENVIRONMENT:

OPERATING TEMPERATURE: -55°C TO +125°C

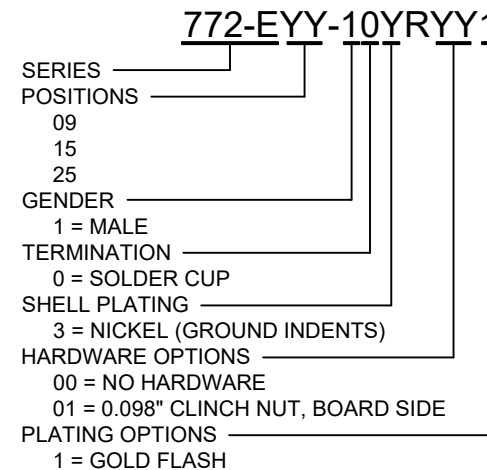


**WILL ACCEPT
26-20 AWG WIRE**

MEETS IP67 STANDARDS
(SEE PAGE 2 FOR SEALING DETAILS)



DIMENSIONS(mm)						
SIZE	A ^{+0.39} _{-0.39}	B ^{+0.25} _{-0.25}	C ^{+0.25} _{-0.25}	D ^{+0.25} _{-0.34}	E ^{+0.38} _{-0.38}	F ^{+0.25} _{-0.25}
9	30.81	24.99	16.92	8.36	12.55	10.80
15	39.19	33.32	25.25	8.36	12.55	10.80
25	53.04	47.04	38.96	8.36	12.55	10.80
37	69.32	63.50	55.42	8.36	12.55	10.80
50	67.00	61.10	52.80	11.26	15.40	13.30



RoHS COMPLIANT

UNITS = mm

DO NOT SCALE FROM DRAWING



THESE DRAWINGS AND SPECIFICATIONS ARE THE PROPERTY OF NorComp AND SHALL NOT BE REPRODUCED, COPIED OR USED AS THE BASIS FOR THE MANUFACTURE OR SALE OF APPARATUS WITHOUT WRITTEN PERMISSION.

DRAWN:

C. SMITH

DATE:

03/26/2009

NorComp

SCALE:
NTS

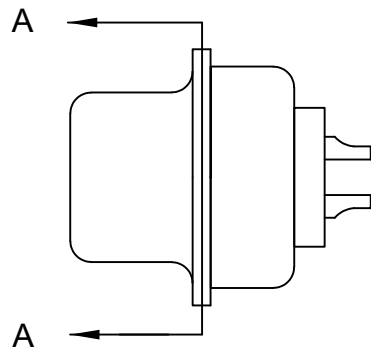
SHEET 1 OF 2

REV 8

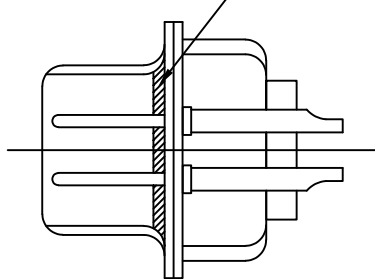
DWG NO.

772-EYY-10YRYY1

SEALING PROCESS



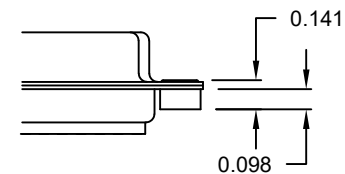
FRONT SEAL APPLIED OVER INSULATOR AND BETWEEN FRONT & REAR SHELLS



DETAIL A-A

HARDWARE OPTION

01X 0.098" (BOARD SIDE)



RoHS COMPLIANT



THESE DRAWINGS AND SPECIFICATIONS ARE THE PROPERTY OF NorComp AND SHALL NOT BE REPRODUCED, COPIED OR USED AS THE BASIS FOR THE MANUFACTURE OR SALE OF APPARATUS WITHOUT WRITTEN PERMISSION.

DRAWN:

C. SMITH

DATE:

03/26/2009

UNITS = inch

DO NOT SCALE FROM DRAWING

NorComp

SCALE:

NTS

SHEET

OF

2

2

REV

8

DWG NO.

772-EYY-10YRY1