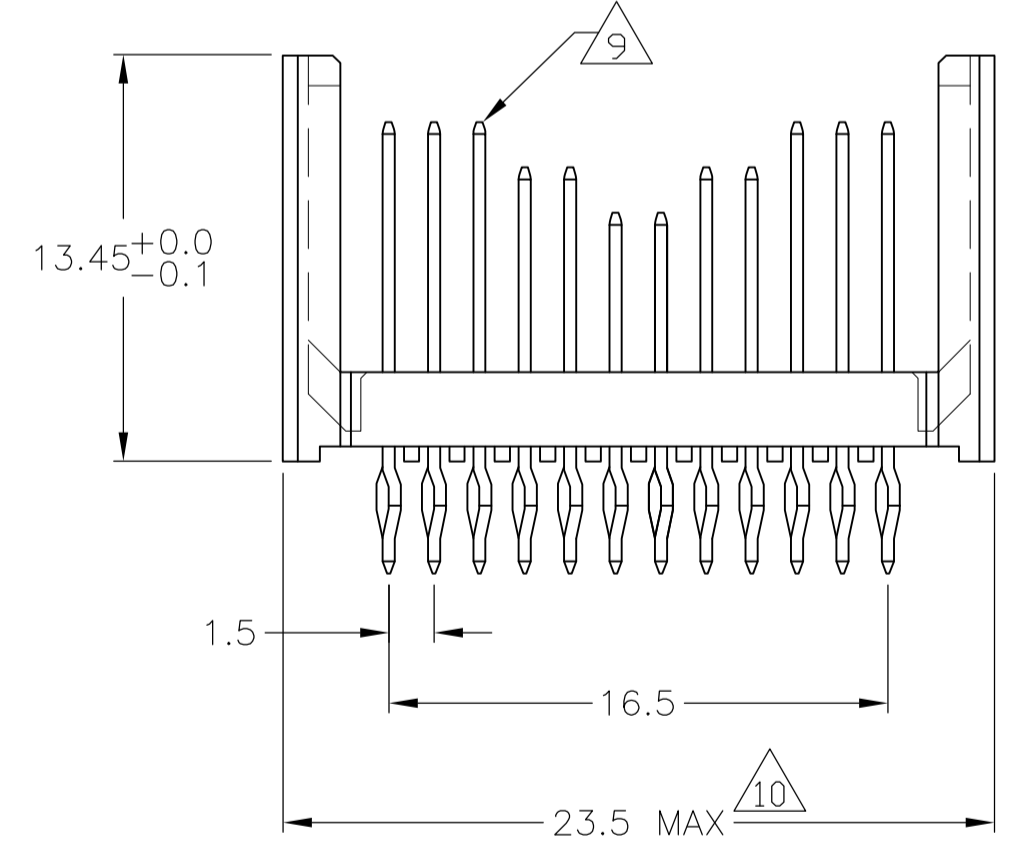
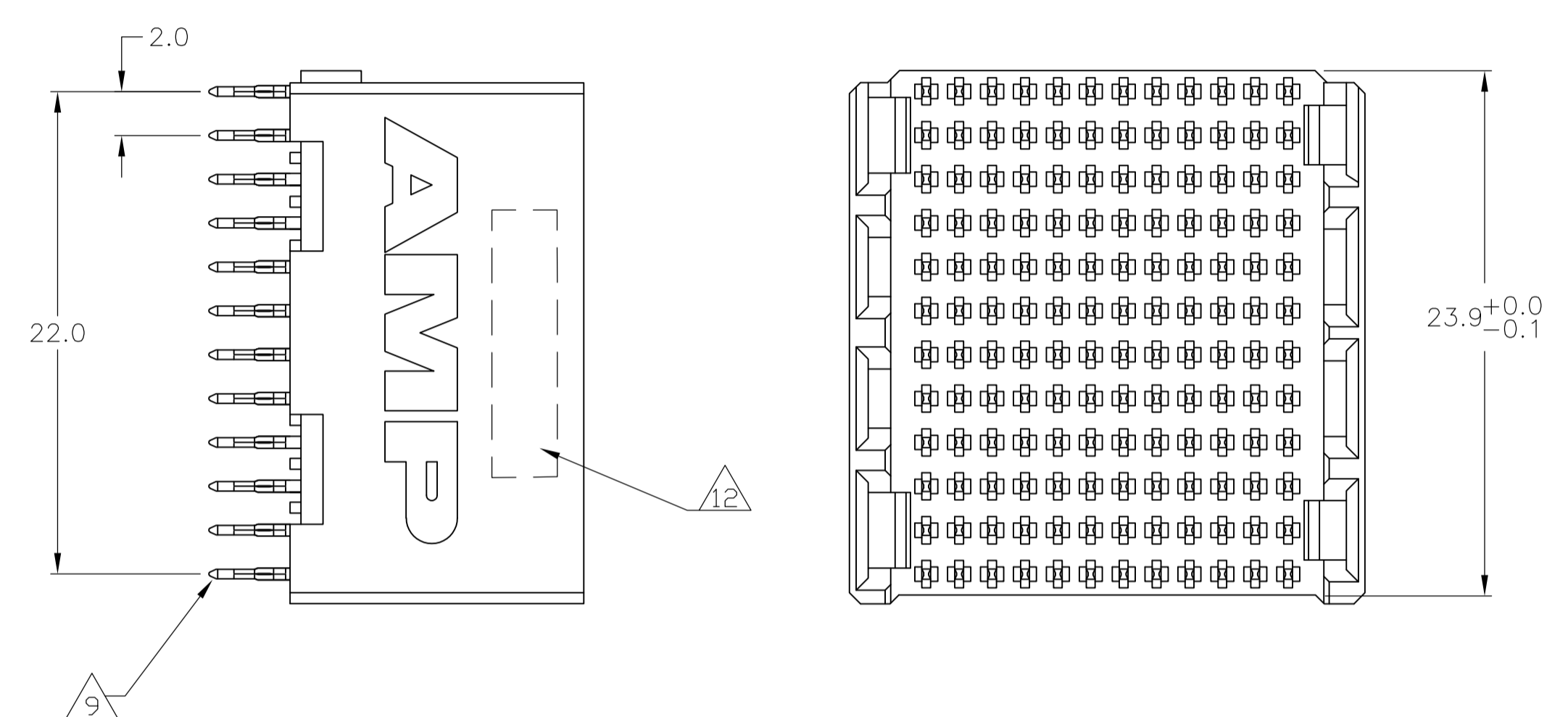
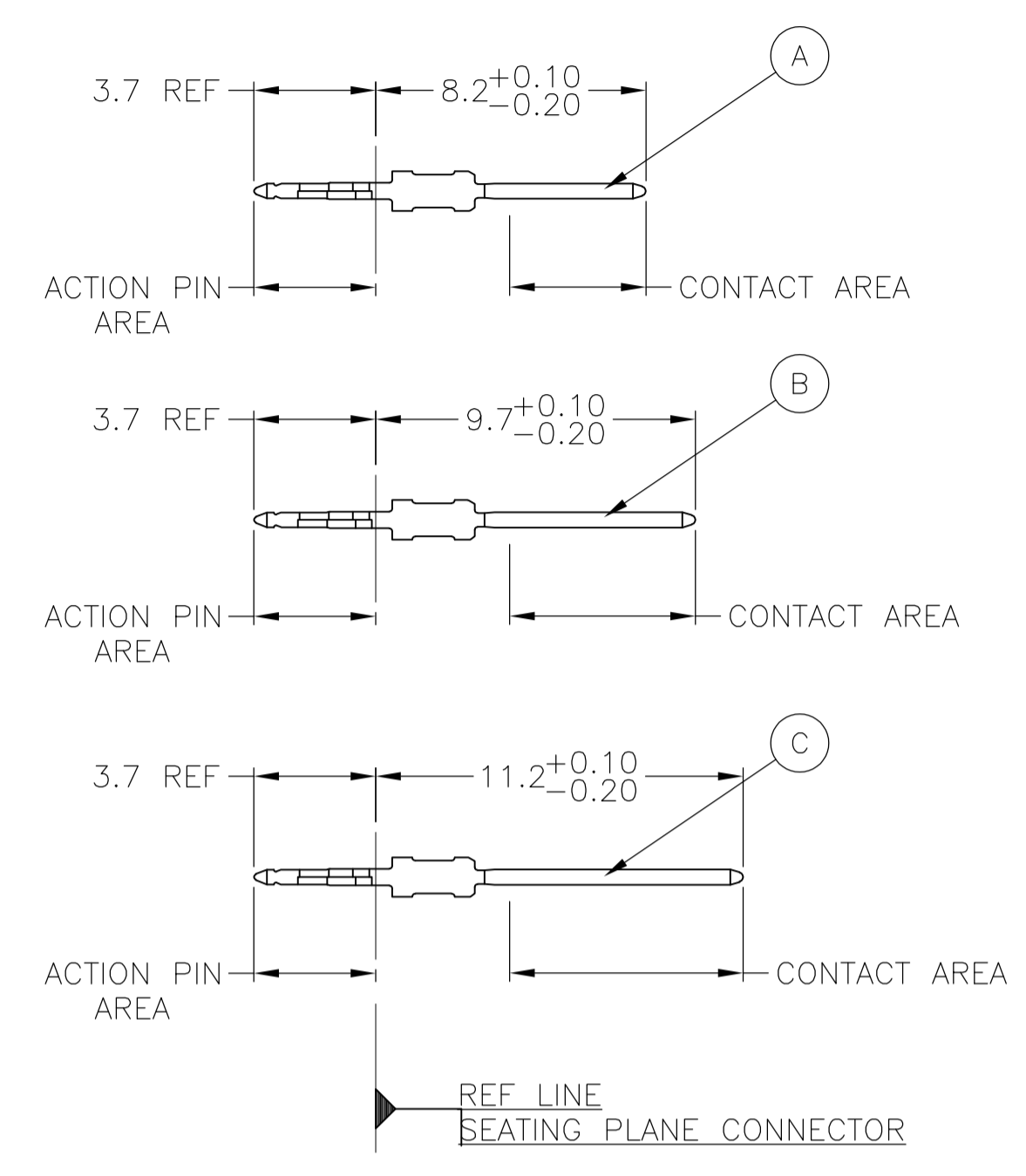


LOC		DIST		REVISIONS			
P	LTR	DESCRIPTION	DATE	DMN	APVD	RC	CW
A		INITIAL RELEASE	29MAR11				

CONNECTOR ASSEMBLY EXAMPLARY LOADED 8



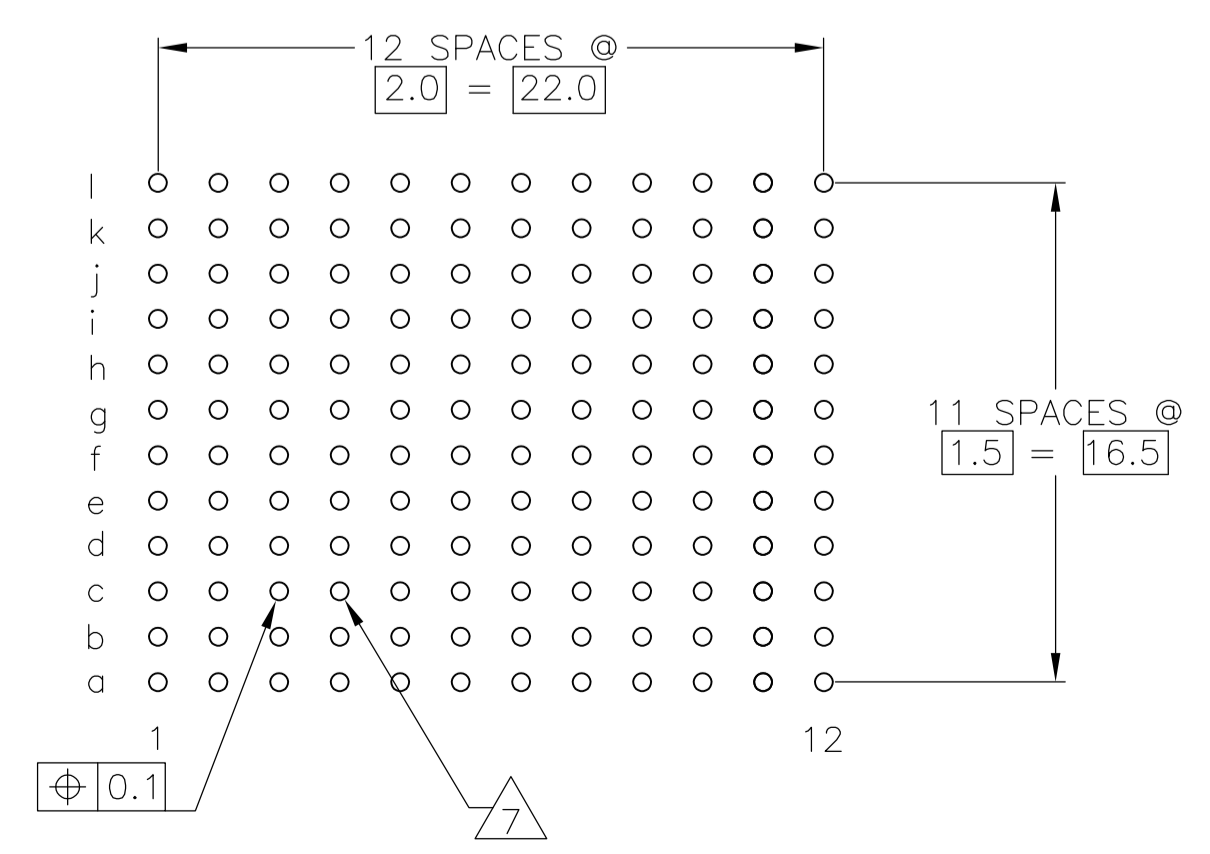
CONTACT DIMENSIONS SCALE 5:1



CONTACT LAYOUT

	a	b	c	d	e	f	g	h	i	j	k	l
1	C	C	C	B	B	A	A	B	B	C	C	C
2	C	C	C	B	B	A	A	B	B	C	C	C
3	C	C	C	B	B	A	A	B	B	C	C	C
4	C	C	C	B	B	A	A	B	B	C	C	C
5	C	C	C	B	B	A	A	B	B	C	C	C
6	C	C	C	B	B	A	A	B	B	C	C	C
7	C	C	C	B	B	A	A	B	B	C	C	C
8	C	C	C	B	B	A	A	B	B	C	C	C
9	C	C	C	B	B	A	A	B	B	C	C	C
10	C	C	C	B	B	A	A	B	B	C	C	C
11	C	C	C	B	B	A	A	B	B	C	C	C
12	C	C	C	B	B	A	A	B	B	C	C	C

RECOMMENDED PCB-HOLE LAYOUT COMPONENT SIDE SHOWN




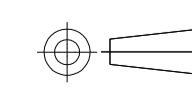
PLATED THRU HOLES PARAMETERS REFERENCE APPLICATION SPECIFICATION

2/3	1645560-1
FINISH	PART NUMBER

THIS DRAWING IS A CONTROLLED DOCUMENT.		DIN RAYMOND CAO 29MAR11		1645560-1	
DIMENSIONS: mm		CHK SANDERS YAN 29MAR11		NAME	
TOLERANCES UNLESS OTHERWISE SPECIFIED:		APPD MANQIAN WANG 29MAR11		PRODUCT SPEC	
0-PLC ±		NAME		MALE ASSEMBLY, Z-PACK 2mm HM, TYPE B, 12 ROW	
1-PLC ± 0.1		APPLICATION SPEC		108-1738	
2-PLC ±		WEIGHT		114-1132	
3-PLC ±		MATERIAL		SIZE CAGE CODE DRAWING NO	
4-PLC ±		FINISH		A1 00779 C=1645560	
ANGLES		SEE TABLE		RESTRICTED TO	
		CUSTOMER DRAWING		SCALE 4:1 SHEET 1 OF 2 REV A	

LOC	DIST	REVISIONS			
P	LTR	DESCRIPTION	DATE	DN	APVO
-	-	SEE SHEET 1	-	-	-

- 1 MATERIAL:
CONTACT: PHOSPHOR BRONZE.
HOUSING: GLASS-FILLED POLYESTER.
- 2 GENERAL PLATING SPECIFICATION: UNDERPLATING
(ENTIRE CONTACT): 1.27µm MIN NICKEL AND ACTION
PIN: 0.5µm MIN TIN.
FOR PLATING OF MATING SURFACES SEE APPLICABLE
SPECIFICATION REFERENCE FOR EACH DASH NUMBER.
- 3 CONFORMS TO ALL TESTING ACCORDING TO IEC 61076-4-101
PERFORMANCE LEVEL 2.
- 4 CONFORMS TO ALL TESTING ACCORDING TO IEC 61076-4-101
PERFORMANCE LEVEL 1.
- 5 CONNECTOR TESTED AND QUALIFIED AGAINST TELCORDIA GR-1217-CORE QUALITY LEVEL 3,
CENTRAL OFFICE APPLICATIONS.
- 6 CONNECTOR TESTED AND QUALIFIED AGAINST TELCORDIA GR-1217-CORE QUALITY LEVEL 3,
UNCONTROLLED ENVIROMENT APPLICATIONS.
- 7 PLATED-THROUGH HOLES AT 2x1.5mm SQUARE GRID
PATTERN DEFINED BY CONTACT LAYOUT.
- 8 FOR ACTUAL PIN LOADING SEE "CONTACT LAYOUT".
- 9 FOR ACTUAL PIN DIMENSIONS SEE "CONTACT DIMENSIONS".
- 10 TO BE MEASURED AT BOTTOM OF SHROUD.
- 11 CONNECTOR LUBRICATED WITH BELCORE APPROVED LUBRICANT,
TECHNICAL REFERENCE: TR-NWT-001217 ISSUE 1, SEP 1992.
- 12 CONNECTOR PRINTED WITH PART NUMBER AND DATE CODE,
LOCATED APPROXIMATELY AS SHOWN.

THIS DRAWING IS A CONTROLLED DOCUMENT.		DIN E CARBO	02JUN05	 TE Connectivity	
		CHK G SKIPPER	02JUN05		
DIMENSIONS: mm		TOLERANCES UNLESS OTHERWISE SPECIFIED:		NAME	
		0-PLC	±	MALE ASSEMBLY, Z-PACK 2mm HM, TYPE B, 12 ROW	
		1-PLC	± 0.1		
		2-PLC	±		
		3-PLC	±		
MATERIAL SEE SHEET 1		FINISH SEE SHEET 1		RESTRICTED TO	
		WEIGHT		SIZE	
		CUSTOMER DRAWING		A1 00779	
				DRAWING NO	
				1645560	
				SCALE	
				4:1	
				SHEET	
				2 OF 2	
				REV	
				A	