



100-277VAC Relay

E9X-RUV-4IBTP

The ILLUMRA™ Universal Voltage Relay switches full circuit loads on command from wireless switches, sensors and central controllers to facilitate the reduction of energy consumption and support compliance with the latest energy regulations.

Benefits:

- 20A rating for all loads
- Battery-free wireless control
- < 0.5W standby power
- Relay Arc Suppression
- Configurable delay timers
- Remote Commissioning
- Status reporting

Applications:

- Remote switching
- Re-zoning without rewiring
- Classrooms
- Offices
- Daylight harvesting
- Load shedding

Compatible loads:

- ALL

- Control LED and Fluorescent luminaires
- Switch all full circuit loads
- Battery-free Wireless Switch & Sensor control
- Reduce energy consumption
- Extend equipment life

100-277V Relay

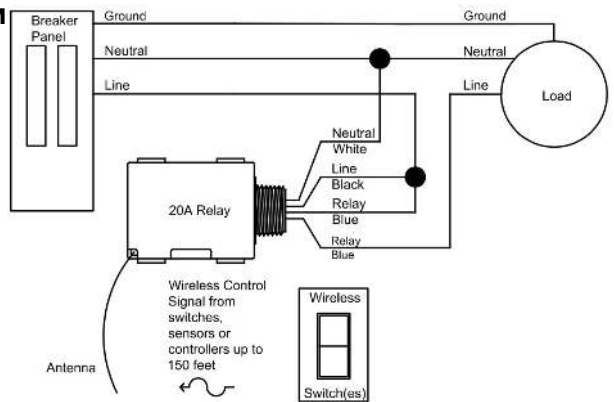


Compatible with:

- Battery-free Wireless Switches
- Wireless Occupancy Sensors
- Control systems, etc.

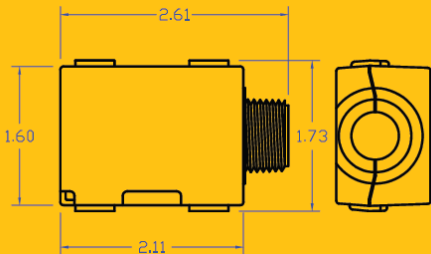


WIRING DIAGRAM



SPECIFICATIONS

E9X-RUV-4IBTP	
Supply Voltage	100-277 VAC 50/60 Hz
Max Load Metal Halide Sodium Vapor Induction Fluorescent LED Other	20 Amps all lighting loads 1 HP Motor Loads
Dimensions	2.11 x 1.73 x 1.09 in (54 x 44 x 28 mm)
Operating Temperature	+32 to +122 F (0 to +50 C)
Storage Temperature	-4 to +176 F (-20 to +80 C)
Approvals	UL 60730 (safety) UL 2043 (plenum) CSA c22.2#14-05 (safety) CE – IEC 60730 FCC: SZV-STM300U, IC: 5713A-STM300U



This device or certain aspects thereof is protected by at least one U.S. or international patent or has at least one such patent application pending.

ILLUMRA is a trademark of Ad Hoc Electronics, LLC. Other trademarks herein are the property of their respective owners.