

SWITCHING DIODE – METALLURGICALLY BONDED
 – HERMETICALLY SEALED
 – DOUBLE PLUG CONSTRUCTION

Qualified per MIL-PRF-19500/241

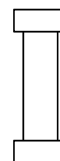
DEVICES

1N3595AUR-1 LL3595A MLL3595A

LEVELS
JAN
JANTX
JANTXV

MAXIMUM RATING AT 25°C

Operating Temperature: -65°C to +175°C
 Storage Temperature: -65°C to +175°C
 Surge Current A, sine 1S: 500mA
 Surge Current A, sine 1µS: 4A
 Total Power Dissipation: 500mW
 Operating Current: 150mA, T_A = +25°C
 D.C. Reverse Voltage (VRWM): 125V



DC ELECTRICAL CHARACTERISTICS

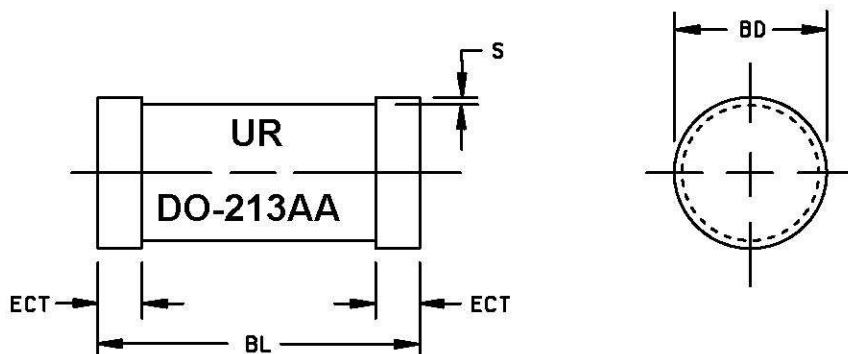
DO-213AA

V _F				I _R				V _{BR}			
Ambient (°C)	I _F mA	Min V	Max V	Ambient (°C)	V _R V (dc)	Min µA	Max µA	Ambient (°C)	I _R µA	Min V	Max V
25	1	0.52	0.70	25	125	-	0.002	-55	100	150	-
25	5	0.60	0.765	150	125	-	3				
25	10	0.65	0.80								
25	50	0.74	0.88								
25	100	0.79	0.92								
25	200	0.83	1.00								

AC ELECTRICAL CHARACTERISTICS AT 25°C

	Min	Max	Unit
Capacitance @ 0V	-	8.0	pF
T _{RR} @ I _F = 10mA V _R = 35V	-	3.0	µsec

▶ **PACKAGE DIMENSIONS**



NOTE:

1. Dimensions are in inches.
2. Millimeters are given for general information only.
3. Dimensions are pre-solder dip.
4. Referencing to dimension S, minimum clearance of glass body to mounting surface on all orientations.
5. In accordance with ASME Y14.5M, diameters are equivalent to ϕ x symbology.

Ltr	Dimensions				Notes
	Inches		Millimeters		
	Min	Max	Min	Max	
BD	.063	.067	1.60	1.70	
BL	.130	.146	3.30	3.70	
ECT	.016	.022	0.41	0.55	
S	.001 Min		0.03 Min		

DESIGN DATA

Case: Hermetically sealed glass package per MIL-PRF-19500/241 DO-213AA outline

Lead Material: Copper clad steel

Lead Finish: Tin / Lead

Thermal Impedance ($Z_{\theta JX}$): 70°C/W maximum

Polarity: Cathode end is banded

FIGURE 1. Physical dimensions - 1N3595UR-1, 1N3595AUR-1 (DO-213AA)