

4

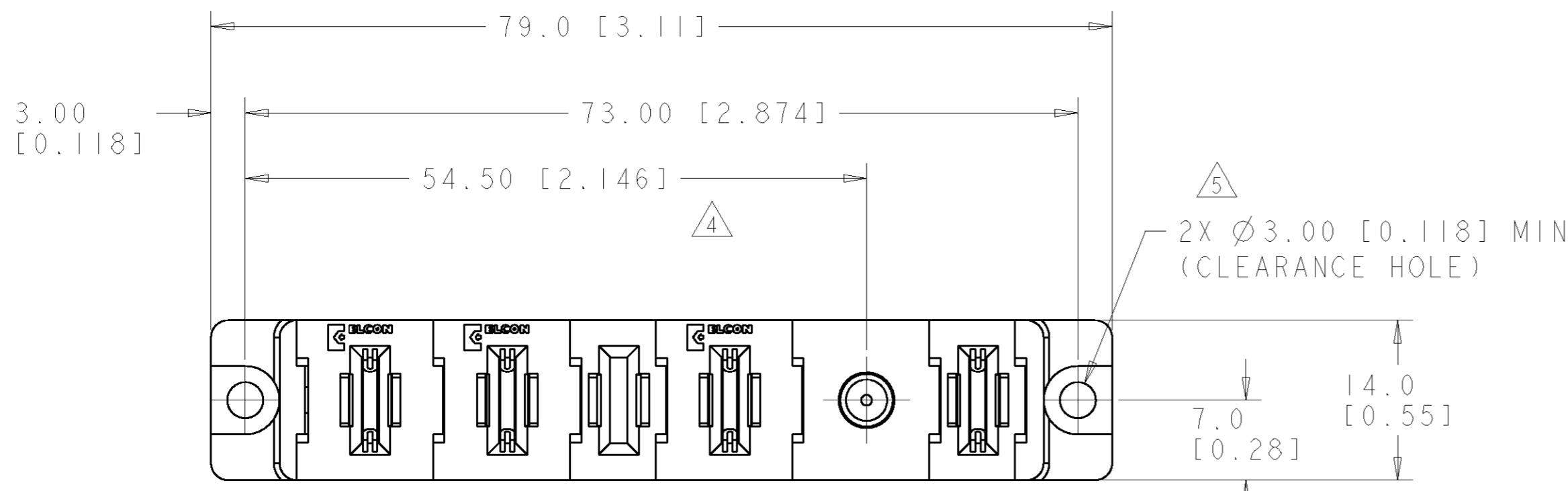
3

2

1

THIS DRAWING IS UNPUBLISHED. RELEASED FOR PUBLICATION 20
 © COPYRIGHT 20 BY TYCO ELECTRONICS CORPORATION. ALL RIGHTS RESERVED.

LOC	DIST	REVISIONS					
GP	00	P	LTR	DESCRIPTION	DATE	DWN	APVD
			A	RELEASED	28FEB2007	RG	PD



1. PART NUMBER CHANGES AND OR DESIGN CHANGES AFFECTING ITEM INTERCHANGEABILITY REQUIRE PRIOR TYCO APPROVAL AND AUTHORIZATION BY REVISION TO THIS DRAWING.

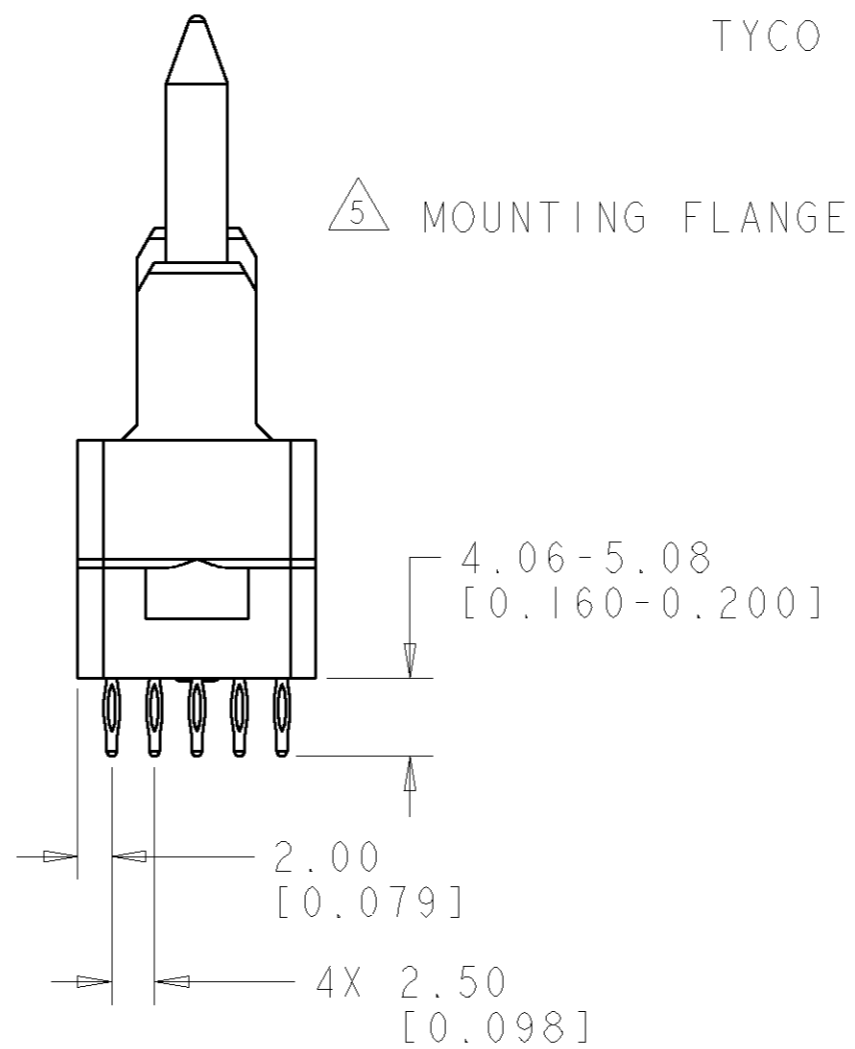
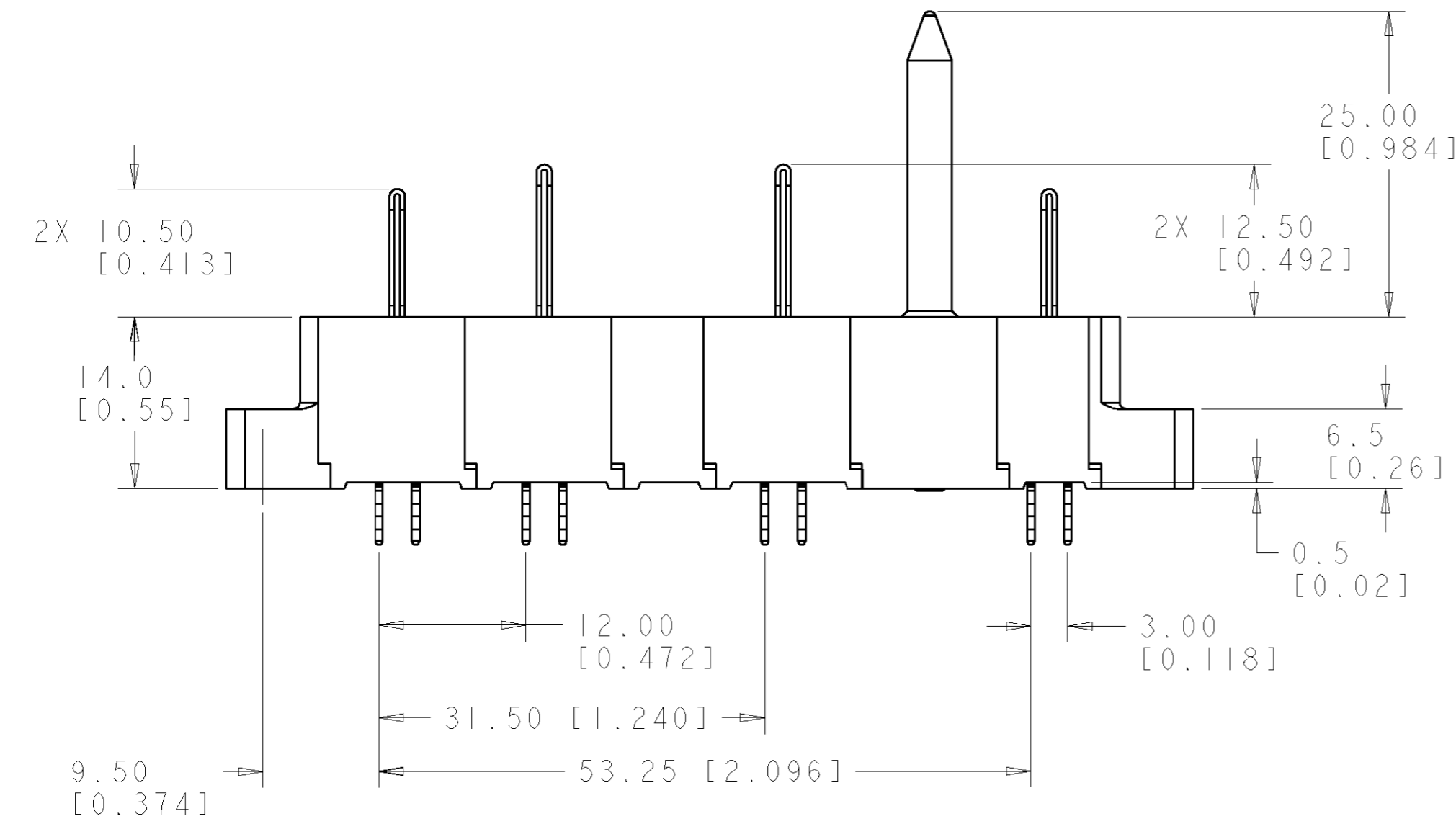
2. MATERIAL:
 INSULATORS - THERMOPLASTIC, GLASS REINFORCED, COLOR: BLACK, UL94V-0 FLAMMABILITY RATED.
 CROWN BANDS - PHOSPHOR BRONZE COPPER ALLOY
 POWER CONTACTS - COPPER ALLOY
 SIGNAL CONTACTS - PHOSPHOR BRONZE
 GUIDE PIN - BRASS ALLOY

3. FINISH:
 CONTACTS - GOLD PLATE .76µm MIN. THK., OVER NICKEL 1.27µm MIN. THK.
 COMPLIANT TAILS, MATTE TIN 1.02 MIN. THK. OVER NICKEL 1.27µm MIN THK.
 △ GUIDE PIN - NICKEL 1.27µm MIN THK.

△ ITEMS PROVIDED TO THIS SPECIFICATION TO BE PERMANENTLY IDENTIFIED PER THE FOLLOWING IDENTIFIER LABEL

YEAR 11 WEEK 1
 TYCO PART NO. XXXXXXXX-X DATE CODE (e.g. 0106) XXXX

△ MOUNTING FLANGES ACCEPT M3 OR #4-40 SCREWS (USER SUPPLIED)



AS SHOWN	1926409-1
DESCRIPTION	PART NUMBER

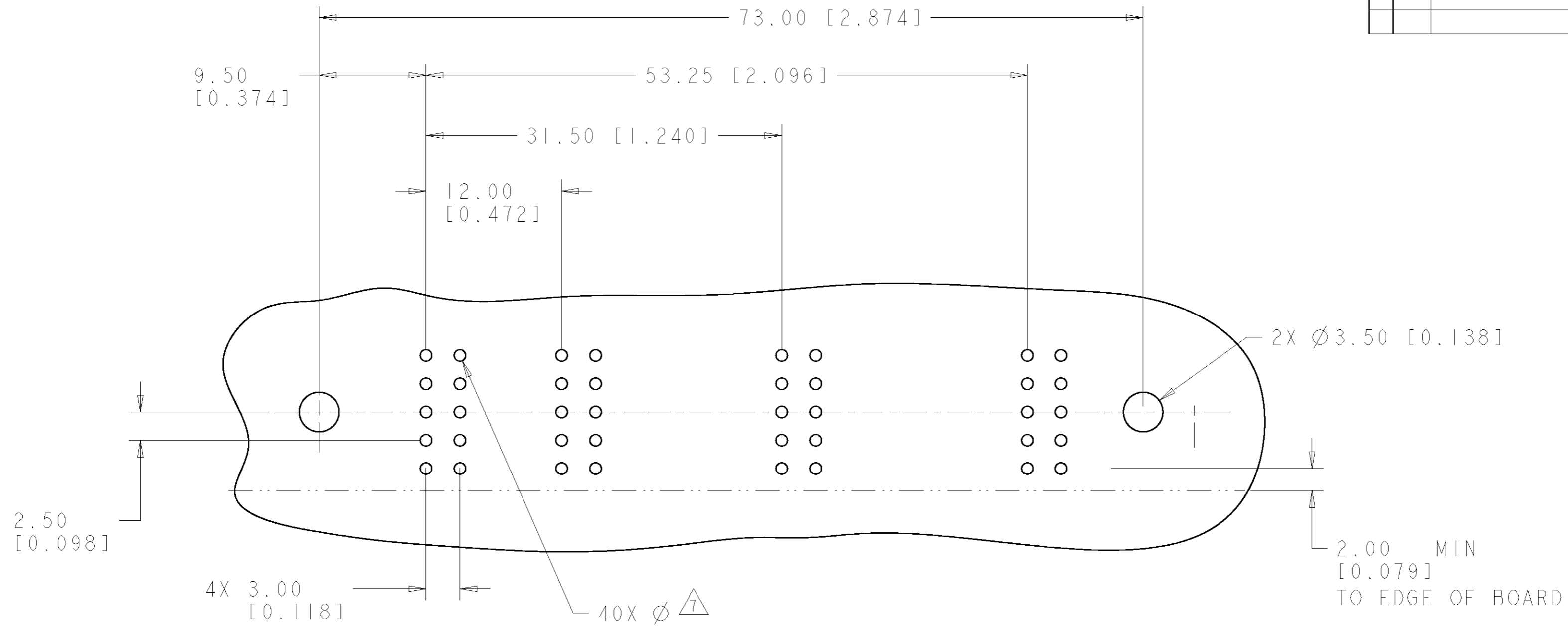
THIS DRAWING IS A CONTROLLED DOCUMENT FOR TYCO ELECTRONICS CORPORATION IT IS SUBJECT TO CHANGE AND THE CONTROLLING ENGINEERING ORGANIZATION SHOULD BE CONTACTED FOR THE LATEST REVISION.		DWN R. GRZYBOWSKI 15FEB2007	Tyco Electronics Harrisburg, PA 17105-3608
DIMENSIONS: mm [INCHES]		CHK P. DAMATO 15FEB2007	
TOLERANCES UNLESS OTHERWISE SPECIFIED:		APVD S. FLICKINGER 15FEB2007	
0 PLC ± 1 PLC ±.3 [0.12] 2 PLC ±.15 [0.06] 3 PLC ± 4 PLC ± ANGLES ±.5 FINISH		PRODUCT SPEC - APPLICATION SPEC - WEIGHT - CUSTOMER DRAWING	

NAME	CONNECTOR PIN ASSEMBLY, STRAIGHT, COMPLIANT TAIL FLATPAQ		
SIZE	CAGE CODE	DRAWING NO	RESTRICTED TO
A2	00779	G-1926409	-
SCALE 3:1		SHEET 1 OF 3	REV A

ELCON FLATPAQ

THIS DRAWING IS UNPUBLISHED. RELEASED FOR PUBLICATION 20
 © COPYRIGHT 20 BY TYCO ELECTRONICS CORPORATION. ALL RIGHTS RESERVED.

LOC	DIST	REVISIONS					
GP	00	P	LTR	DESCRIPTION	DATE	DWN	APVD
		-		SEE SHEET 1	-	-	-



PRINTED CIRCUIT LAYOUT
 COMPONENT SIDE

CONNECTOR	CATALOG MODULE #	QTY	SIZE NO.	CONTACT QTY	MATING PIN	MAX. CURRENT (PER CONTACT)	CONTACT SPACING	VOLTAGE RATING
PIN	FP218	2	8	4	1.25 X 7.00 [.049 X .276]	35 amps	7.50 [.2953]	600
	FP217	1	8	2	1.25 X 7.00 [.049 X .276]	35 amps	7.50 [.2953]	600
	FP201	1	8	2	1.25 X 7.00 [.049 X .276]	35 amps	7.50 [.2953]	250
	FP511	1	SPACER (250V)					
	FP503	1	STRAIGHT GUIDE PIN					
	FP500	1	LEFT MOUNTING FLANGE					
	FP501	1	RIGHT MOUNTING FLANGE					

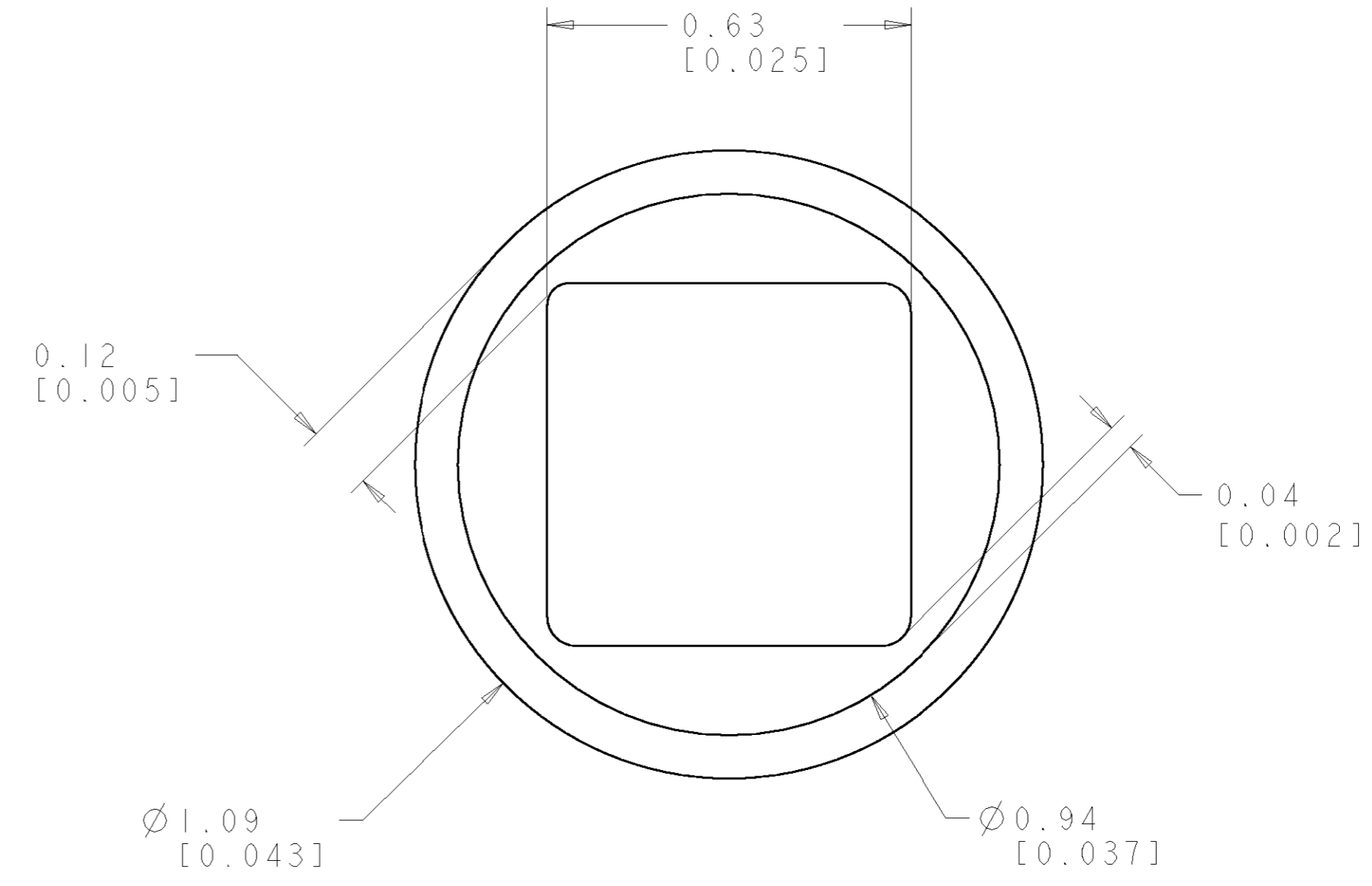
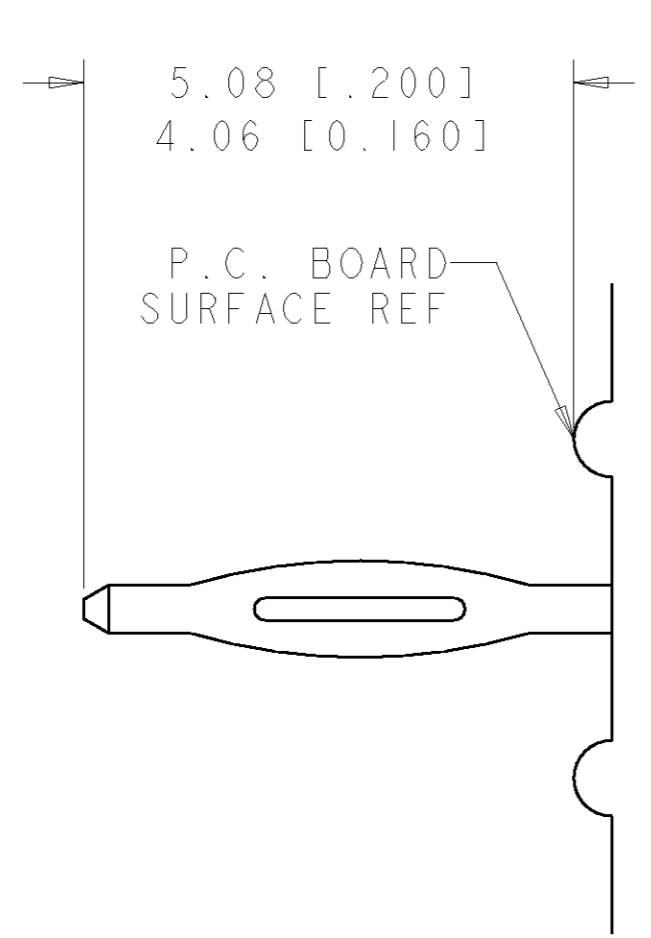
THIS DRAWING IS A CONTROLLED DOCUMENT FOR TYCO ELECTRONICS CORPORATION. IT IS SUBJECT TO CHANGE AND THE CONTROLLING ENGINEERING ORGANIZATION SHOULD BE CONTACTED FOR THE LATEST REVISION.

DWN	R. GRZYBOWSKI	15FEB2007	 Tyco Electronics Harrisburg, PA 17105-3608			
CHK	P. DAMATO	15FEB2007				
APVD	S. FLICKINGER	15FEB2007				
NAME	CONNECTOR PIN ASSEMBLY, STRAIGHT, COMPLIANT TAIL FLATPAQ					
DIMENSIONS:	TOLERANCES UNLESS OTHERWISE SPECIFIED:		SIZE	CAGE CODE	DRAWING NO.	RESTRICTED TO
mm [INCHES]	0 PLC ±.3 [.012] 1 PLC ±.3 [.012] 2 PLC ±.15 [.006] 3 PLC ±. 4 PLC ±. ANGLES ±.5 FINISH		A2	00779	C-1926409	-
MATERIAL			SCALE	3:1	SHEET	2 OF 3
CUSTOMER DRAWING			REV	A		

ELCON FLATPAQ

THIS DRAWING IS UNPUBLISHED. RELEASED FOR PUBLICATION 20
 © COPYRIGHT 20 BY TYCO ELECTRONICS CORPORATION. ALL RIGHTS RESERVED.

LOC	DIST	REVISIONS			
P	LTR	DESCRIPTION	DATE	DWN	APVD
GP	00	-	SEE SHEET 1	-	-



6. COMPLIANT PIN DETAIL
 SCALE 10 : 1
 INSERTION/EXTRACTION FORCES
 MAXIMUM PUSH IN: 133.3N PER PIN
 [30 LBS]
 MINIMUM PUSH OU: 44.4N PER PIN
 [10 LBS]

7. SOLDER TERMINATION AREA
 SCALE 40:1
 RECOMMENDED PRINTED CIRCUIT HOLE
 COMPLIANT PRESS FIT
 DRILLED HOLE: Ø1.15 [.0453] ±.013 [.0005]
 COPPER PLATE: .025 [.0010] MIN
 TIN PLATE: .008 [.0003] MIN. (PER SURFACE)

ELCON **FLATPAQ**

<small>THIS DRAWING IS A CONTROLLED DOCUMENT FOR TYCO ELECTRONICS CORPORATION IT IS SUBJECT TO CHANGE AND THE CONTROLLING ENGINEERING ORGANIZATION SHOULD BE CONTACTED FOR THE LATEST REVISION.</small>		DWN R.GRZYBOWSKI 15FEB2007 CHK P.DAMATO 15FEB2007 APVD S.FLICKINGER 15FEB2007	tyco Tyco Electronics Electronics Harrisburg, PA 17105-3608
DIMENSIONS: mm [INCHES]	TOLERANCES UNLESS OTHERWISE SPECIFIED: 0 PLC ±. 1 PLC ±.3 [.012] 2 PLC ±.15 [.006] 3 PLC ±. 4 PLC ±. ANGLES ±.5 FINISH	NAME CONNECTOR PIN ASSEMBLY, STRAIGHT, COMPLIANT TAIL FLATPAQ	SIZE CAGE CODE DRAWING NO RESTRICTED TO A200779 C-1926409 -
MATERIAL -		PRODUCT SPEC - APPLICATION SPEC - WEIGHT - CUSTOMER DRAWING	SCALE 3:1 SHEET 3 OF 3 REV A