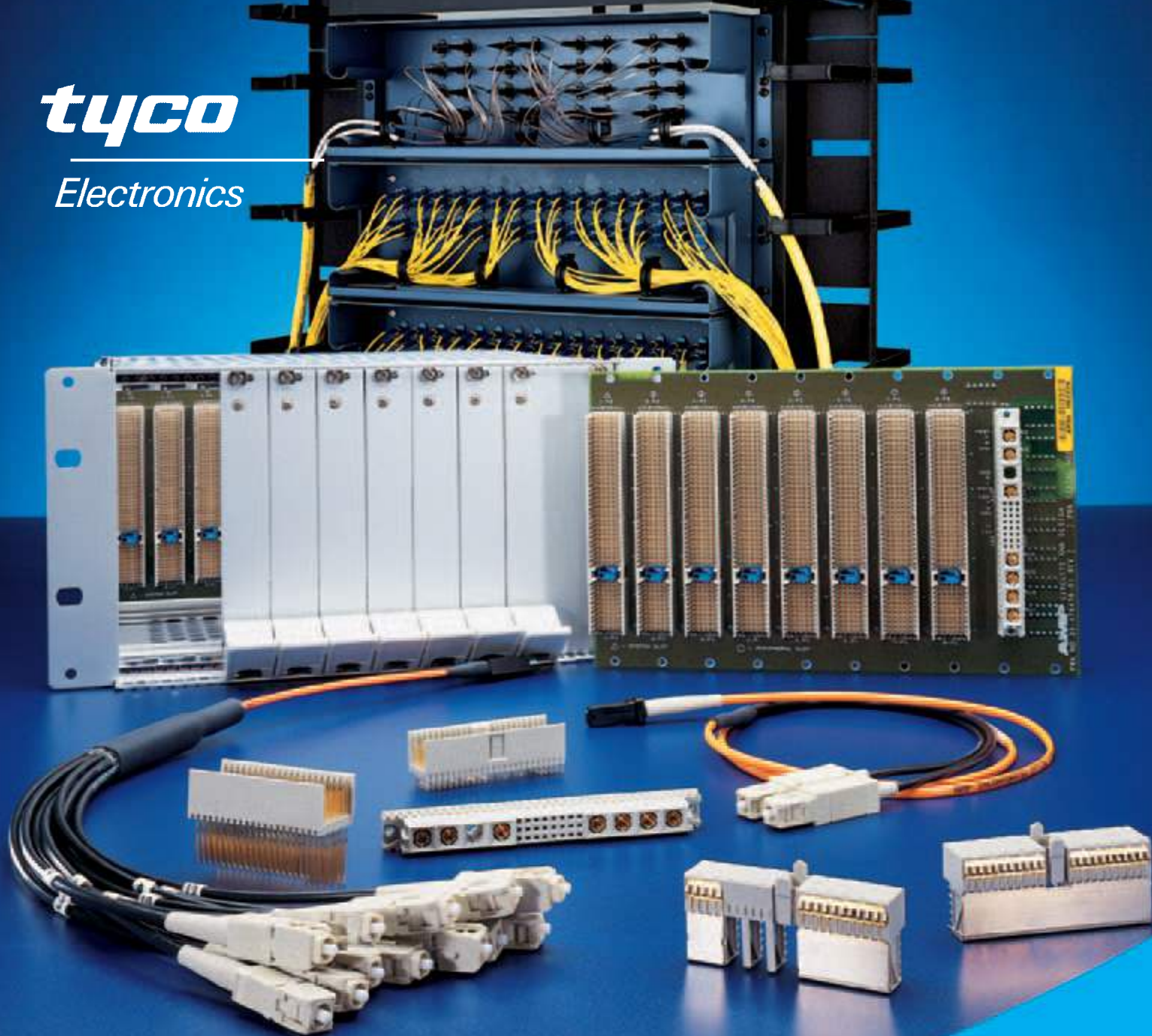


tyco

Electronics



AMP Z-PACK 2mm HM Hard Metric Interconnection System

AMP

Tyco Electronics — Committed to Customer Service

Disclaimer

While Tyco Electronics Corporation and its affiliates referenced herein ("Tyco Electronics") have made every reasonable effort to ensure the accuracy of the information in this catalog, Tyco Electronics does not guarantee that it is error-free, nor does Tyco Electronics make any other representation, warranty or guarantee that the information is accurate, correct, reliable or current. Tyco Electronics reserves the right to make any adjustments to the information contained herein at any time without notice. Tyco Electronics expressly disclaims all implied warranties regarding the information contained herein, including, but not limited to, any implied warranties of merchantability or fitness for a particular purpose. Tyco Electronics' only obligations are those in the Tyco Electronics Standard Terms and Conditions of Sale, and in no case will Tyco Electronics be responsible for any incidental, indirect, or consequential damages arising from the sale, resale, use, or misuse of its products. Users should independently evaluate the suitability of, and test each product for, their application.

The dimensions, specifications, designs, construction, materials and processes in this catalog are for reference purposes only and are subject to change without notice. Please consult Tyco Electronics for the most current product information. The export of certain Tyco Electronics products is restricted by the Arms Export Control Act (Title 22, U.S.C. Sec 2751, et seq.) or the Export Administration Act of 1979, as amended (Title 50, U.S.C., App. 2401 et seq.). Orders may be subject to export approval by the U.S. Government. Buyer must comply with all applicable export laws of all applicable jurisdictions.

Tyco Electronics Modelling Services

As a service to our customers, Tyco Electronics has developed CD-ROM-based 2D and 3D CAD IGES models. These are easily transferred into your designs, saving you costly time when defining your product. Use the application form above to apply for your 'PIN' number.

APPLICATION FORM FOR TYCO ELECTRONICS MODELLING SERVICES

Photocopy this form, complete it and fax it to Tyco Electronics to apply for usership of the Tyco Electronics Modelling Services

Name: Job Title:

Company Name:

Company Address:

.....

.....

..... Post/Zip code:

Tel Number: Fax Number:

.....

I understand that the data provided by Tyco Electronics on CD-ROM remains the property of Tyco Electronics Corporation.

Signature:

Fax this form, when completed, to: The Modelling Services Administrator at your nearest Tyco Electronics local company (see inside back cover for fax #).

Find products fast on the web

Tyco Electronics has developed a user-friendly and dynamic search technique that allows you to steer the search for the product you need. Our electronic catalog allows you to access drawings, specifications and part number details. Languages available include English, Spanish, French, German and Italian. A few, quick registration details are all it takes:

<http://connect.tycoelectronics.com>

Friendly advice at the end of the telephone

If all of the above cannot help, we have a team of experts in our Product Information Centers ready to assist you with technical information and help identify the right products for your needs.

Comments on using this catalog

Dimensions are in millimeters and inches. Values in brackets are inch equivalents. Dimensions used in this catalog are for reference purposes only. Customer drawings are available on request. Metric symbols used are:

- m = meter
- cm = centimeter
- mm = millimeter
- µm = micrometer
- N = Newton
- kg = kilogram
- g = gram
- C = Celsius

Technical documents

Product Specifications

- 108-19082 5 row board-to-board Connections
- 108-1622 8 row board-to-board Connections
- 108-19107 LF Cable Connectors
- 108-19108 HF Cable Connectors
- 108-1651 Universal Power Module

Application Specifications

- 114-19029 Standard board-to-board
- 114-19036 Ground Return Shields
- 114-19039 LF Cable Connector
- 114-1103 Universal Power Module

Electrical Performance Reports

- 65721 5 row Connector
- 65722 5+2 row Connector
- 889065 8 row Connector
- 889066 8+2 row Connector

Need more information?

Call Technical Support at the numbers listed below.

Technical Support is staffed with specialists well versed in Tyco Electronics products. They can provide you with:

- Technical support
- Catalogs
- Technical Documents
- Product Samples
- Authorized Distributor Locations

© 1999 and 2005 by Tyco Electronics Corporation.

All International Rights Reserved. AMP, AMP-HDI, ACTION PIN, Z-PACK and Tyco are trademarks.

CompactPCI is a trademark of PICMG-PCI Industrial Computer Manufacturers Group Incorporated.

LOCTITE is a trademark of Henkel Corp.

RAL is a trademark of the Central Organization for product assurance in Germany.

Other products, logos, and company names mentioned herein may be trademarks of their respective owners.

See inside back cover for Global Contacts and phone numbers.

Product Outline and Table of Contents

Product Facts

- High Density System with Small Real Estate on Backplane and Daughtercard
- Extensive Range of Signal, Power, Coaxial, and Fiber Board-to-Board and Cable-to-Board Connections.
- Hard Metric 2mm Pitch in Accordance with IEC 917 and IEC 61076-4-101
- Modular Units give Flexible Configuration
- Special Versions for VME64 Extensions and CompactPCI
- Signal Contact Rating 1.5a Fully Energized
- Universal Power Module rated at 7.8A / line, 23.4A fully energized
- All Lines Impedance Controlled to 50ohm (Single Ended) and 100ohm (Differential) nominal
- Safe Design, complies with IEC950 in Mated Condition; Universal Power Module is Safe in Unmated Condition
- Several Performance Levels for Board and Cable Connectors with Unshielded and Shielded Versions
- Corruption-proof sequencing- Signal Contact Levels exceed Maximum Tolerance of Backplane Distortion and Warpage (ref. Hard Metric Equipment Practice)
- Mismatching Keys Block Mating before any Contact Touch
- Backplane thickness range 1.4 - 5.6 [.055 - .220]
- Daughtercard Thickness Range of 1.4 - 4.3 [.055 - .169] (3.5 [.138] max. with Lower Shields)
- Small Press Fit Board Hole allows Maximum Track Width and Minimum Signal Corruption
- Versions comply with Bellcore Central Office Environment and Uncontrolled Environment
- Single- and Multi-line Models Available or Tyco Electronics Circuits & Design can build a System to your Specification

Product Outline

The AMP Z-PACK 2mm HM Hard Metric connector system is designed to meet the current and future needs of telecommunication, computer and instrumentation applications giving excellent electrical and mechanical characteristics at an economical price. It is a high performance, high density system with flexible configuration which offers upgradeability. The connector system is fully supported by Tyco Electronics spice models to guarantee choosing the right product to match the application.

Z-PACK 2mm HM connectors comply with the requirements of IEC 917 and IEC 61076-4-101 and valuable product extensions provide great flexibility in the range of applications. The system can provide the following options:

- Backplane and daughtercard connections in standard and reverse sex.
 - Parallel daughtercard connection.
 - Midplane connections in both planar and cross connect configuration.
 - Cable connections for backplane rear and front of daughtercards.
 - Extender card connections.
- These variations can be arranged for signal contacts, and for backplanes, power, coax and fiber optic cable and board connections.

Table of Contents

Specifications2

System Options, Front and Rear4, 5

Product Characteristics and System Features ...6

Electrical Characteristics7

Contact Make and Break Sequence8

Connector Configurations9

Vertical Male Connectors, 5 row10-12

Right Angle Female Connectors, 5 row13-15

Vertical Male Connectors, 8 row16-18

Right Angle Female Connectors, 8 row19-21

4 & 4+1 Row Slim Connectors22, 23

Vertical Female Connectors, 8 Row24

Right Angle Male Connectors, 5 Row25, 26

Vertical Female Connectors, 5 Row27

Midplane Board-to-Board Arrangements28

 Male Shrouds (ZIF Style)29

 Spacers30

 Spacer Selection31

 One Piece Shrouds32

 Male Pin Protection Covers33

DIN and Hybrid DIN Systems34-40

AMP Mini-SC (MSC) and Hybrid MSC Systems41-46

Coding Keys and Contact Loading Variants47

CompactPCI and VME 64 Extensions48

CompactPCI Connectors: At a Glance49, 50

Universal Power Module51-53

Guiding Hardware54-57

Cable Connectors and Lead Assemblies58

 Cable Connector Mating Arrangements59

 10 and 20 Position Connectors60

 Lead Assemblies61

 Male Cable Connector Shrouds62

 Male Connectors, Cable-to-Board63, 64

Dimensions and Tolerances65, 66

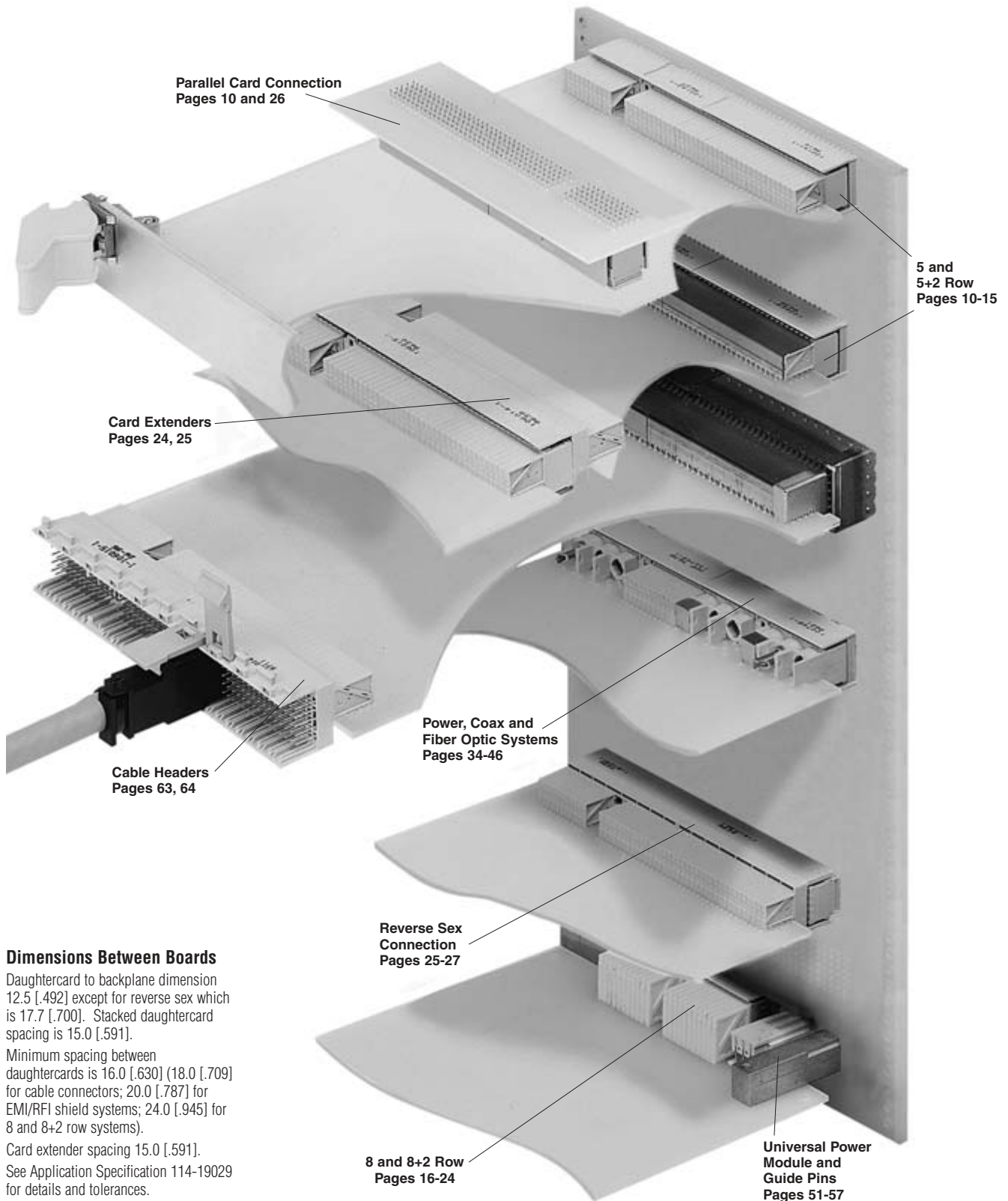
Customer Specification Chart67

PC Board Layouts69-72

Connector Insertion Tooling73-77

Non-RoHS to RoHS Compliant Part Number Cross Reference78-80

Part Number Index81, 82

System Options — Front**Dimensions Between Boards**

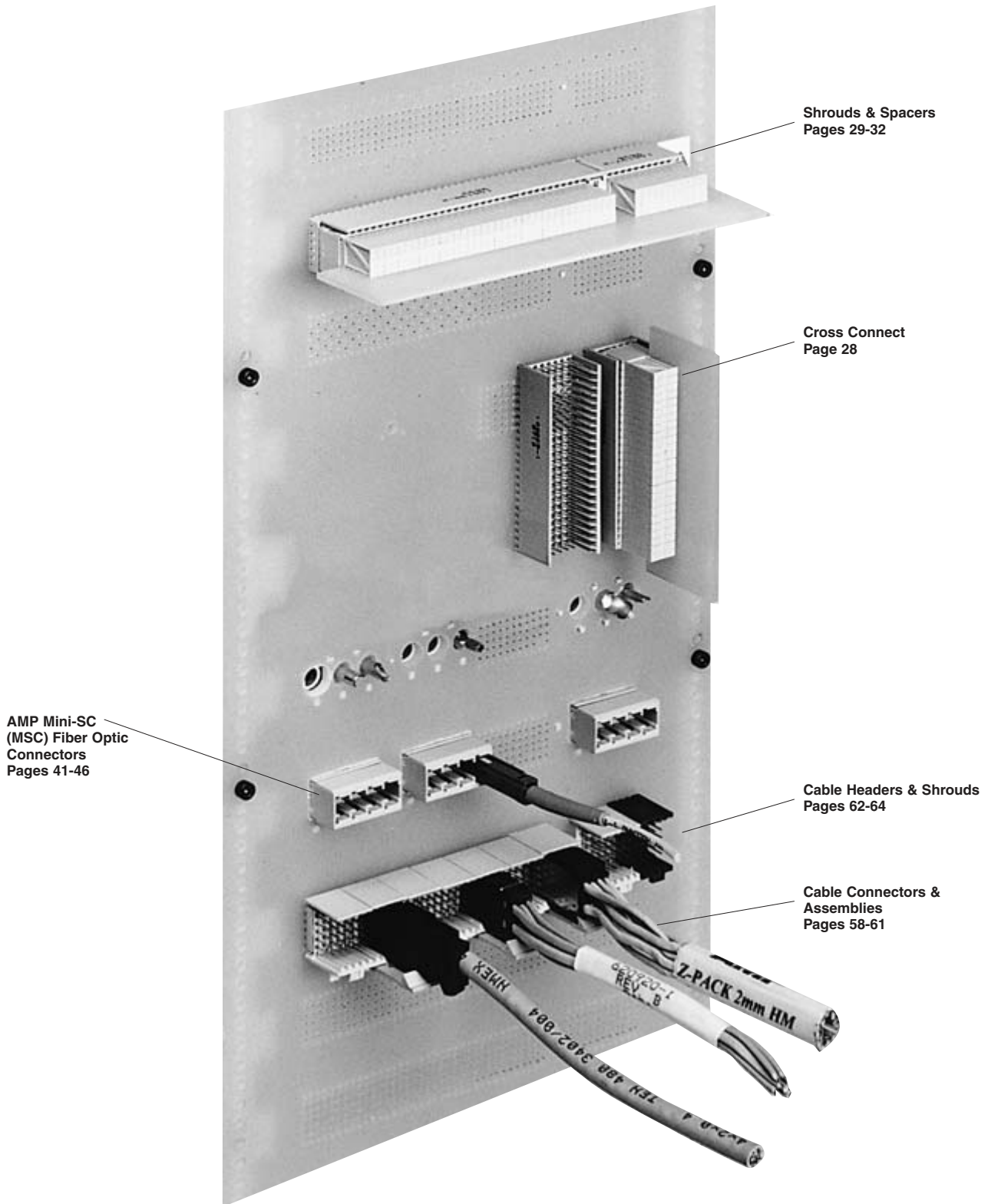
Daughtercard to backplane dimension 12.5 [.492] except for reverse sex which is 17.7 [.700]. Stacked daughtercard spacing is 15.0 [.591].

Minimum spacing between daughtercards is 16.0 [.630] (18.0 [.709] for cable connectors; 20.0 [.787] for EMI/RFI shield systems; 24.0 [.945] for 8 and 8+2 row systems).

Card extender spacing 15.0 [.591].

See Application Specification 114-19029 for details and tolerances.

System Options — Rear



Product Characteristics

Electronic developments are increasing the demands on system performance, and connectors can no longer be considered as discrete components but as part of a total electrical/electronic design. These aspects can include the following:

Higher pin count within tight space constraints.

With 25 and 40 signal pins per cm of 5 row and 8 row connectors respectively, high densities can be achieved, or low signal to ground ratios specified within tight space constraints.

Minimum reflections

Matched impedance between cables, connectors and systems give low reflections at interfaces. This is achieved with overmolded receptacle contacts which give impedances close to the values of printed circuit boards, maximizing effective signal strength.

Reduced crosstalk

Crosstalk can be minimized by selective use of ground pins between signals, which can be augmented by the use of ground return shields. Reduced cross talk versions of the receptacle connector provide partial shielding between columns.

Shielding

Upper and/or lower ground return shields are used with 5+2 and 8+2 row headers to improve signal integrity. EMI / RFI shields are available to totally enclose 5 row connectors to give maximum immunity from, and minimum emission of, radiated noise.

Reduced Skew

The design of right angle connectors achieves very low skew between longest and shortest contact and board paths, corrected for board effects. The actual value varies between 5 row and 8 row types.

Fiber Optic Connections

As well as the normal power and coaxial DIN contacts, either DIN fiber optic or AMP MSC fiber optic connectors can be included in backplane systems for high speed data transfer without risk of corruption.

Upgradeability

The system is upgradeable to give enhanced performance as system demands increase. This allows economical selection of components initially with enhanced version selectable as performance levels increase without a major change in connector design or board layout. Tyco Electronics recommends that board layouts include ground return shield holes for future-proofing.

System Features

Termination

All versions use AMP ACTION PIN press fit contacts, giving high retention force termination conforming to IEC 352-5.

Pin Headers

Contact pins are available to give three mating levels on the front face with standard 3.7 [.146] tail, suitable for boards from 1.4 to 4.3 [.055 - .169] thick. Feedthrough vertical headers offer three levels of mating to rear of backplane for midplane and cable connection with special twisted pins used for cross connect applications. A wide variety of standard product exists which offer economy and short lead times, but any variation of selective load can be offered.

Receptacle Assemblies

Receptacle assemblies employ a 'chiclet' assembly principle allowing a variety of selective loading and providing the ability to fit reduced cross talk shields. Enhanced versions are pre-fitted with upper shields, with lower shields applied separately as required.

Power Connection

Universal Power Module Connectors are press fit three position connectors with the option of three levels of sequencing and 23A rating.

Alternatively, DIN contacts can be used in type L, M and N housings with contact rating up to 40A and first make/last break option. Variations of cable-to-board, board-to-board and cable-to-cable are offered.

Coaxial Connection

DIN coax contacts can be fitted to type L, M and N housings in cable and board mount versions.

Fiber Optic Connections

DIN style contacts can be fitted to housings as above or higher density AMP MSC contacts to MSC housings.

Spice Models

To achieve optimum performance and cost, it is essential to accurately match connector and system parameters. Where customers wish to carry out their own analysis, Tyco Electronics offers single and multi-line models for many connector styles. Please ask for details of the packages available.

Modelling Support

Tyco Electronics offers a structured approach to the design and evaluation of packaging and interconnection systems, including a full range of electrical and mechanical support functions.

Using accurate device models, our capabilities include high speed signal propagation analysis using SPICE modelling, and simulation of interconnections and backplane designs. Complete power distribution and thermal analysis can also be included.

System Manufacture

Tyco Electronics Circuits and Packaging Division specializes in the design and manufacture of high performance backplanes and subsidiary boards. They will design backplanes and boards to meet your performance criteria, bringing their experience and tools to enhance your design. Ask Tyco Electronics for further details.

Electrical Characteristics

Electrical Characteristics, Typical

AMP Z-PACK 2mm HM Connector System offers considerable benefits in performance over other 2.00 [.079] systems. Tests have shown values for inductance, capacitive loading and propagation delay to be 18%, 13% and 18% lower respectively than other 5 row systems.

Electrical characteristics, Typical.

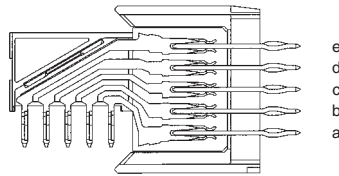
| | | | |
|--|---------------------|-------|-------------------|
| Signal Pin rating, all contacts loaded | 1.5a @ 70°C [158°F] | | |
| Nominal resistance | <13.5mOhm | | |
| Creepage/clearance | </=0.8mm | | |
| Propagation delay, corrected for board effects (5 row) | 104ps | | |
| Signal/ground ratio | 4:1 | 1:1 | Differential Pair |
| Impedance | 50-58 | 49-55 | 86-89 |
| Backward x-talk, row to row | 4-10 | | 2-3 |
| " " column to column | <3 | <1 | <1 |
| " " diagonal | <2 | <<1 | <<1 |

These values apply at 333ps rise time (10%-90%). These values have been obtained with 5 row connectors; similar improvements are obtained with 8 row versions. See page 41 for Z-PACK 2mm HM Connector Optical Performance.

Shield Types and Selection

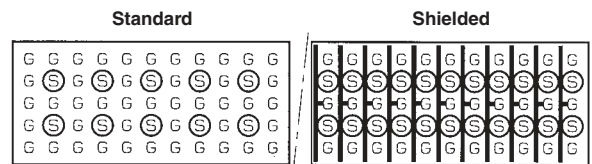
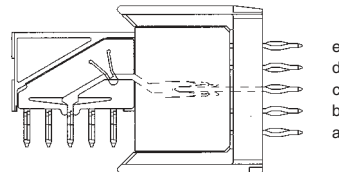
Standard Version

5 row version gives 250 contacts/100 [3.937], suitable for rise times down to 100ps with cross talk <5% using a 4:1 signal/ground ratio (50 signal/100mm)



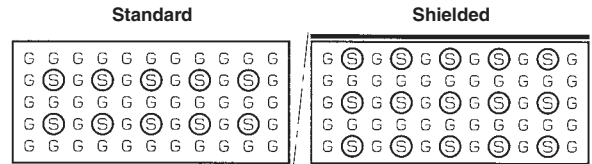
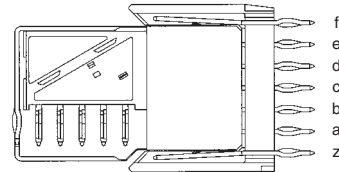
Reduced Cross Talk Version

Metal shield grounded to row c and to the board (optional) reduces cross talk in the d and e contacts by 25% to the level of a and b. Allows increase in density to 100 signals/100 [3.937].



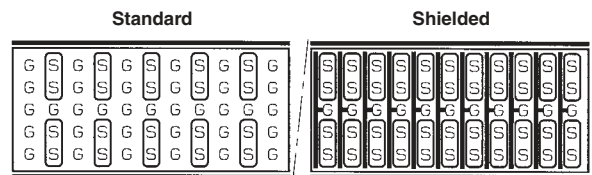
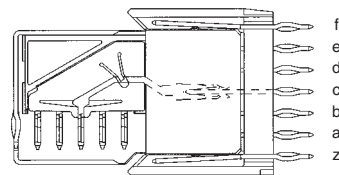
Ground Return Shields

Performance is enhanced suitable for rise times down to 250ps by using extra pin rows mating to shields on the receptacle. Allows an increase in density to 75 signal/100 [3.937], reduces cross talk by 30% and reduces single ended impedance peaks in rows a and e.



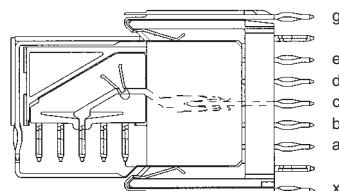
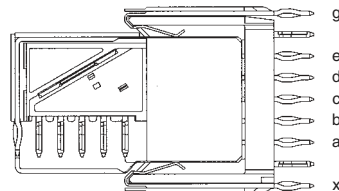
Ground Return and Reduced X-talk Shields

Increase performance to sub-nanosecond rise times. When used with differential pairs, improves cross talk by 30%, lowers impedance peaks and reduces propagation delay by 10%



EMI/RFI Shields

These shields, used with end caps, totally enclose the connector and reduce radiation by 20-30dB over the 100MHz-1GHz range. These shields can be used with reduced cross talk shields as shown in the lower view.



Contact Make and Break Sequence

Make and Break Sequence

The diagram shows the sequence of make and break for the range of 2mm HM signal contacts, shields, Universal Power Module contacts and DIN 41626 contacts. In relation to the key blocking position, the housings must close by the dimension shown to give first contact point for the respective contact type, with housings fully mated 9.1 [.358] closer than the key blocking point. All dimensions are nominals and assume connectors are assembled flush with the backplane.

POWER CONTACT F.M.L.B.

UNI.PWR. LEVEL 3

UNI.PWR. LEVEL 2

SIGNAL CONTACT LEVEL 3

UNI.PWR. LEVEL 1

POWER CONTACT STD.

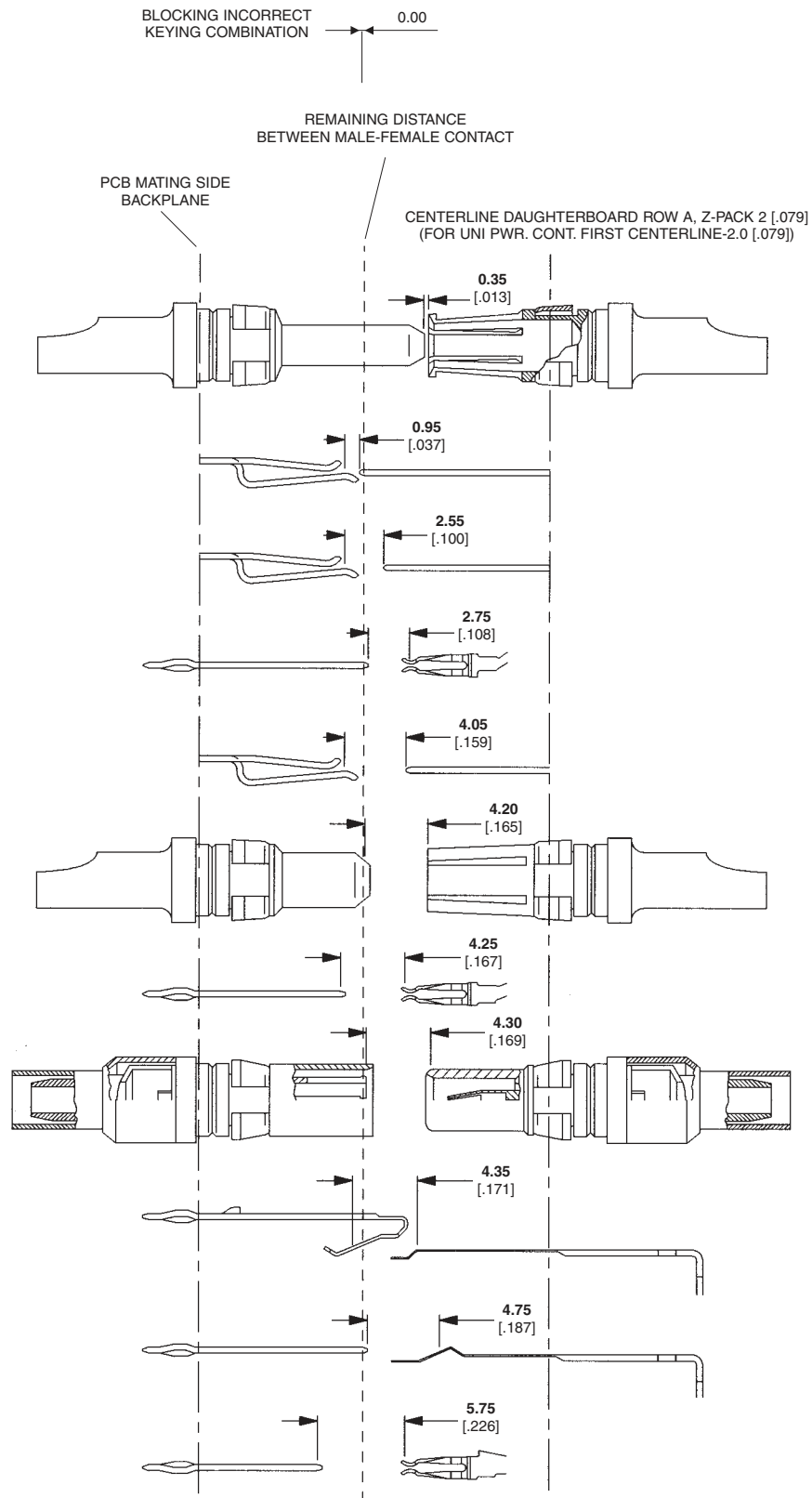
SIGNAL CONTACT LEVEL 2

COAX CONTACT

EMI-RFI SHIELDING

ENHANCED SHIELDING

SIGNAL CONTACT LEVEL 1



Connector Configurations

Connector Stacking

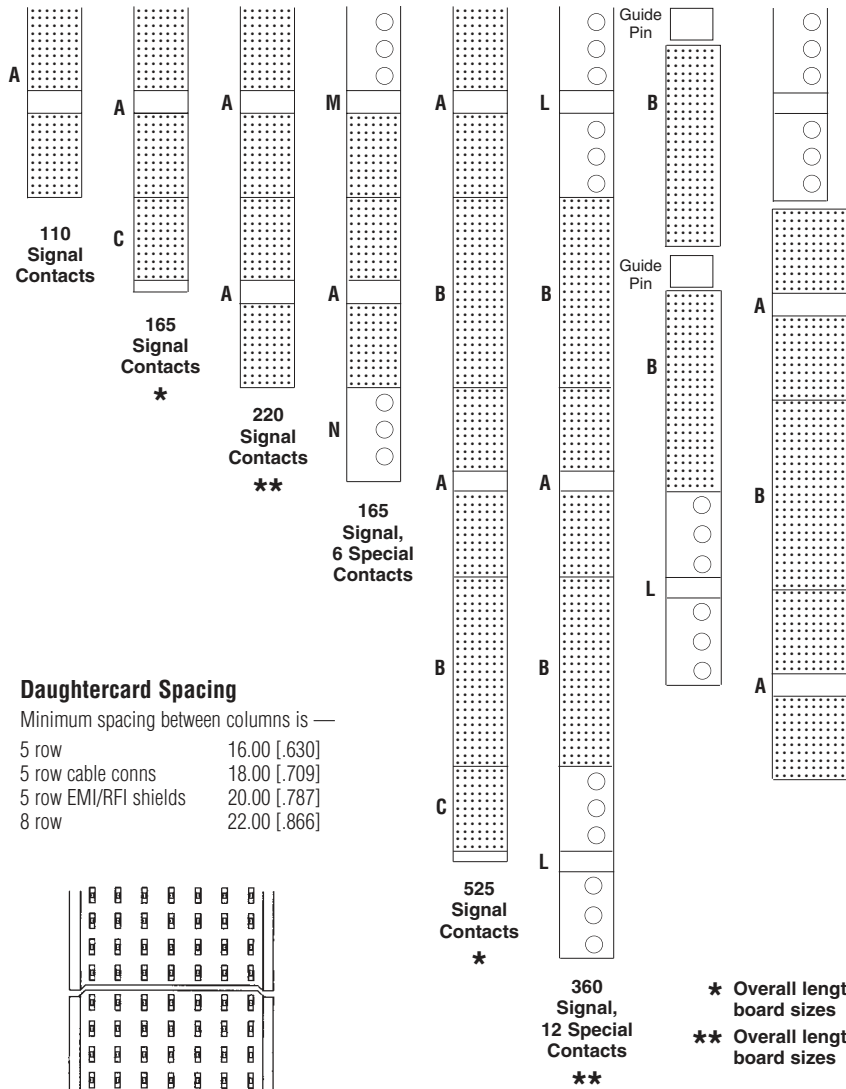
Connectors can be stacked together without change of contact pitch ensuring that the end features shown below nest together.

Guiding features are provided to align connector pairs and avoid contact damage. IEC 61076-4-101 dictates that connectors are end stacked as shown in the adjacent first five columns, with B modules located between modules with location/guiding features. An alternative guiding device can be used instead, such as the guide pin (page 55).

Types C and N are intended for use at a column end.

Universal Power Module connectors can be located at any position. Special arrangements must be made when stacking 8 row to 5 row.

The diagrams show typical arrangements but others are possible.

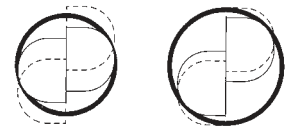
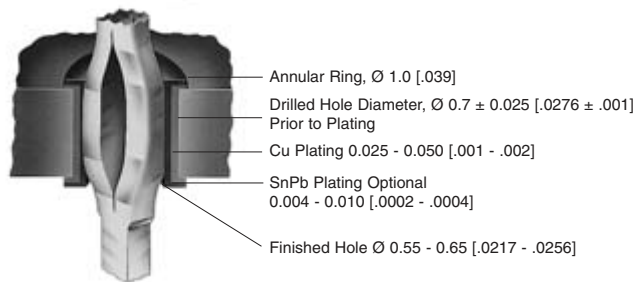


ACTION PIN Contacts

Details of the pcb hole size and finish apply to all ACTION PIN contacts. IEC 61076-4-101 specifies true position of holes to within 0.1 [.004]. For feedthrough posts, true position within 0.05 [.002] to minimize out-of-position post tips could be used.

A new contact can be inserted into the same hole three times without damage should repair or replacement be necessary.

AMP ACTION PIN Press-fit Contact Interconnection



Min. Hole \varnothing 0.55 [.0217]
Max. Hole \varnothing 0.65 [.0256]

Two spring members compress to different degrees to accommodate hole tolerances max. diagonal 0.84 [.033] dia.

Vertical Male Connector, 5 Row, Types A, B and C

Vertical Male Connectors

Types A,B and C male connectors will mate with right angle female and vertical female connectors shown on pages 13 and 27 respectively.

5 Row Versions

Type A has 110 signal pins with center guiding and keying facility. Type B has 125 signal pins and Type C has 55 signal pins and guiding features. All are end stackable without change in contact pitch according to the chart on page 9.

5+2 Row Versions

For use with females with ground return shields and contacts in rows z and f in addition to those above.

Short Tail Versions

Standard versions have contact option A in rows a-e with option C in rows z and f on 5+2 row versions.

Feedthrough Versions

For midplane and rear cable connection. 5 row versions mate with unshielded female connectors and 5 row cable connectors. 5+2 row versions mate with female connectors having ground return shields or 5+2 row shielded cable connectors. Standard versions use contact options K and T instead of A and C.

Mylar tail guides can be fitted to feedthrough posts to aid assembly to the board.

For versions other than those shown, refer to page 47 which gives access to other sizes and loading patterns.

End caps are available for use with special versions of types A and B connectors. Consult Tyco Electronics.

Performance Data pages 6-7.

Materials and Finish

Glass filled polyester housing, gray, UL94 V-0 rated

Phosphor-bronze signal contacts

Contact area 0.8µm [.000030] Au over 1.3µm [.000050] Ni

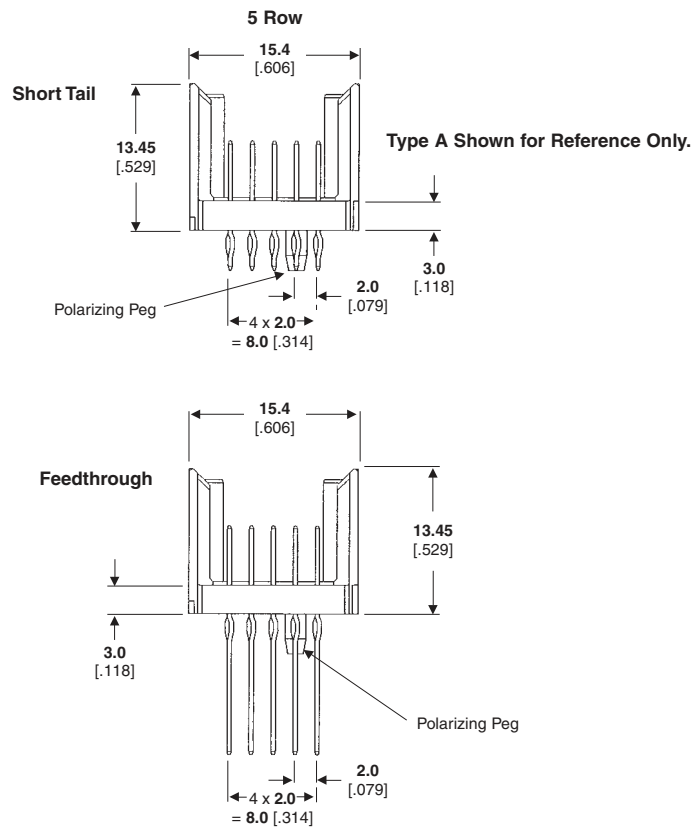
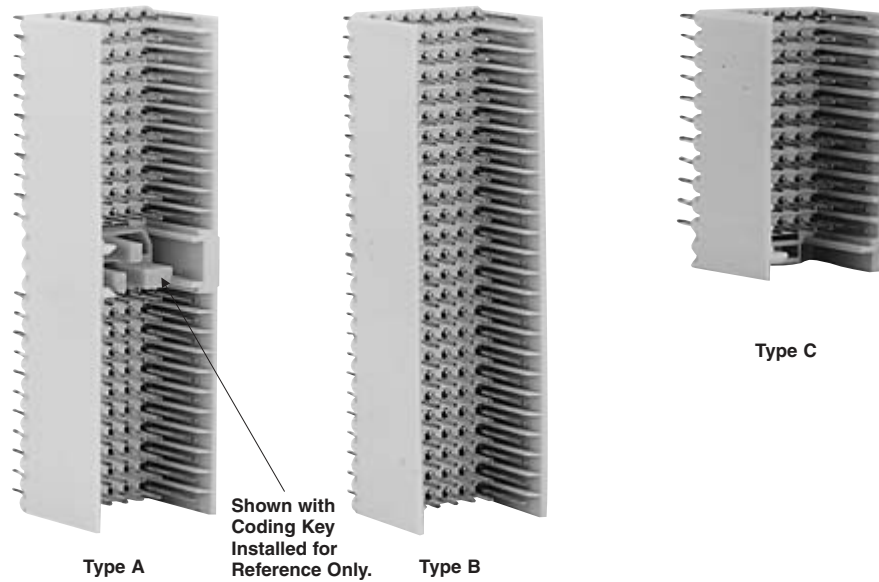
ACTION PIN Contact 0.5µm [.000020]

Sn/Pb over 1.3µm [.000050] Ni

Coding keys for type A page 47.

Board layout page 69 for guidance only.

Protection covers available see page 33.



| Description | Part Numbers | | | |
|----------------------------|--------------|----------|-------------|----------|
| | Short Tail | | Feedthrough | |
| | 5 Row | 5+2 Row | 5 Row | 5+2 Row |
| Type A (with locating peg) | 100143-1 | 100668-1 | 106164-1 | 106509-1 |
| Type B (25) | 100141-1 | 100669-1 | 106165-1 | 106510-1 |
| Type B (19) | 1392175-1 | 352869-1 | — | — |
| Type B (22) | 352639-1 | 352638-1 | — | — |
| Type C | 100159-1 | 106081-1 | 106303-1 | 188637-1 |

For VME64 and C-PCI versions, see page 48.

Vertical Male Connector, 5 Row, Type A/B

Type A/B Vertical Male Connector

Type A/B male connectors will mate with Type A/B right angle female connectors shown on page 15.

5 Row Version

Type A/B connector offers the guidance ability similar to the Type A connector but also utilizes the center three columns for additional signal pin capability which are not found in the Type A connector.

Available in the Type A/B connector are 95 signal pins, 110 signal pins and 125 signal pins. All are end stackable without change of contact pitch according to the chart on page 9.

5+2 Row Versions

For use with females with ground return shields and contacts in rows z and f in addition to those above.

Short Tail Versions

Standard versions have contact option A in rows a-e with option C in rows z and f on 5+2 row versions.

Feedthrough Versions

For midplane connection, 5 row versions mate with standard 5 row Type A/B female connectors and 5+2 row versions mate with Type A/B female connectors having ground return shields. Standard versions use contact options K and T instead of A and C.

Mylar tail guides can be fitted to feedthrough posts to aid assembly to the board.

Materials and Finish

Glass filled polyester housing, gray UL94 V-0 rated

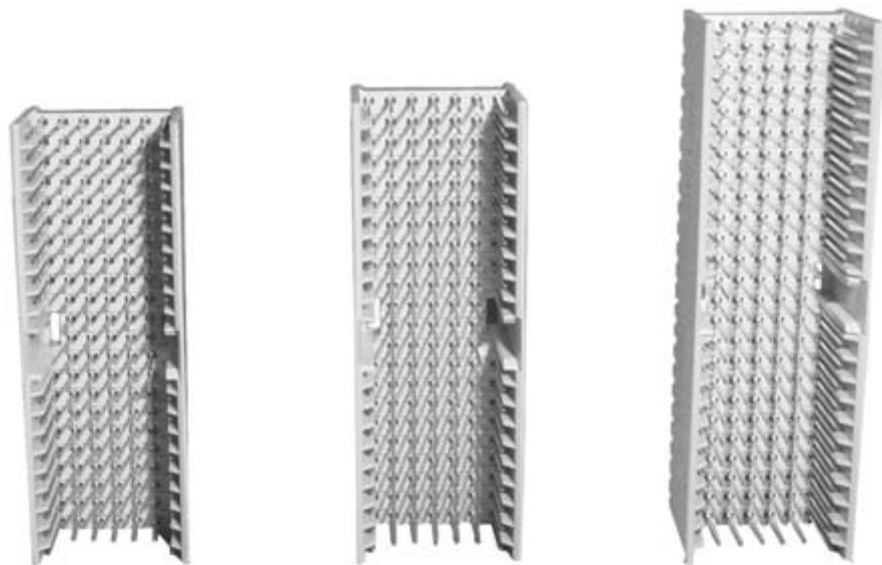
Phosphor-bronze signal contacts

Contact area 0.8µm [.000030] Au over 1.3µm [.000050] Ni

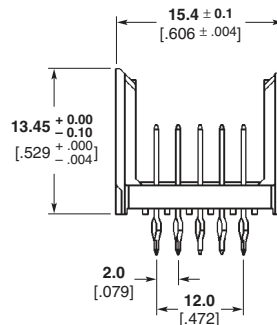
ACTION PIN Contact 0.5µm [.000020]

Sn/Pb over 1.3µm [.000050] Ni

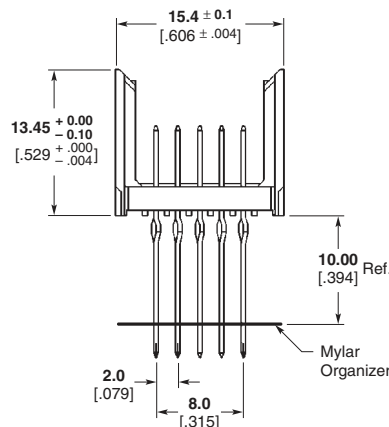
Board layout (see Customer Print).



Type A/B Short Tail



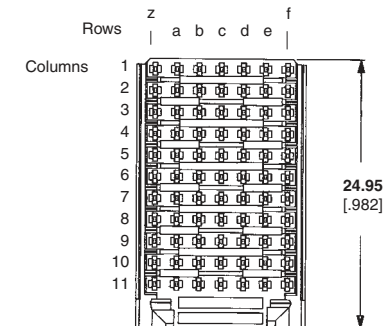
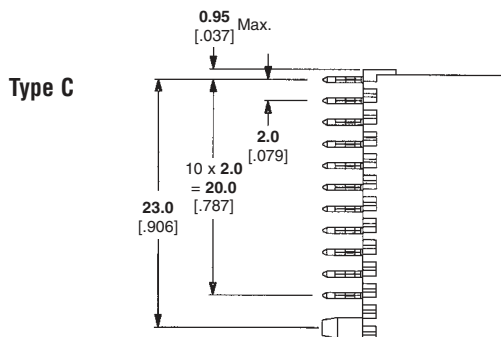
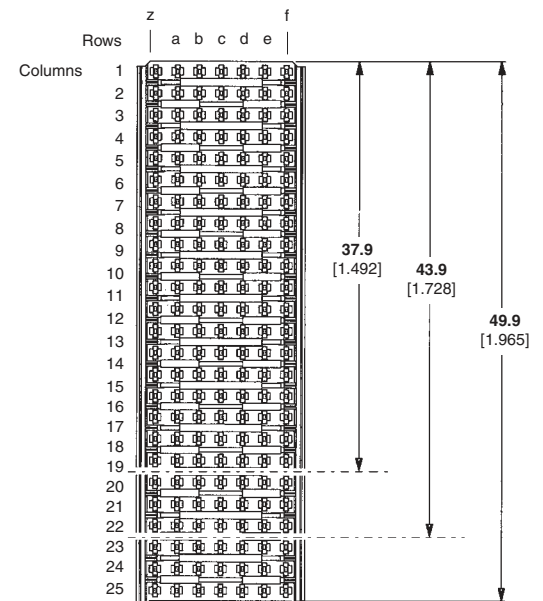
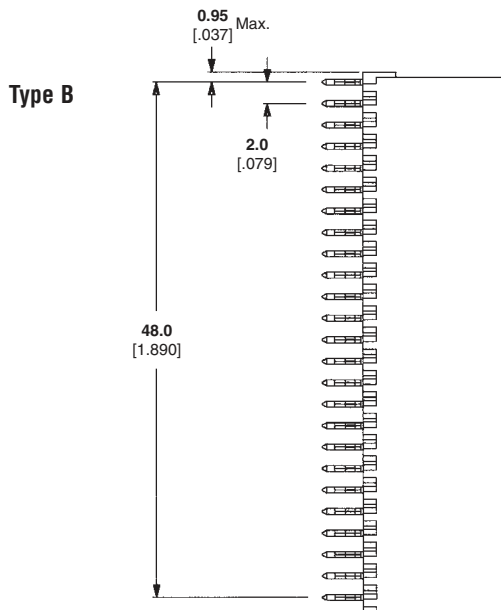
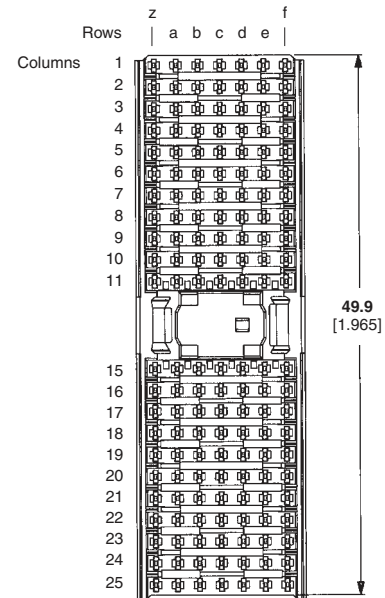
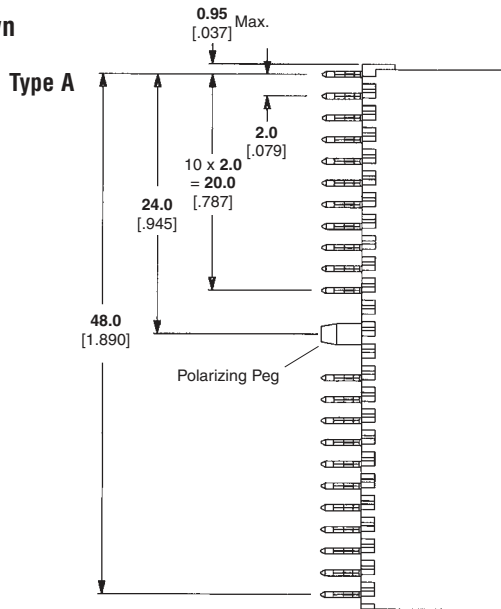
Type A/B Feedthrough



| Description | Part Numbers | | | |
|---------------|--------------|----------|-------------|----------|
| | Short Tail | | Feedthrough | |
| | 5 Row | 5+2 Row | 5 Row | 5+2 Row |
| Type A/B (25) | 646731-1 | 646529-1 | 646938-1 | 646535-1 |
| Type A/B (22) | 646737-1 | 646533-1 | 646949-1 | 646735-1 |
| Type A/B (19) | 646948-1 | 646530-1 | 646950-1 | 646732-1 |

Vertical Male Connector, 5 Row, Types A, B and C (Continued)

Short Tail Version Shown



Electronics

Right Angle Female Connectors, 5 Row, Types A, B and C

Right Angle Female Connectors

Types A, B and C female connectors will mate with respective vertical and right angle male connectors and with shrouds shown on pages 10 and 29.

Type A has 110 contacts with center guiding and keying facility, type B has 125 contacts and type C has 55 contacts with end guiding feature. All are end stackable without change of contact pitch according to the chart on page 9.

Four levels of performance are offered; standard, reduced crosstalk, ground return shield and reduced crosstalk + ground return shields. Upper ground return shields are pre-fitted to receptacles; lower shields are supplied and fitted separately as required. 5+2 male connectors are used with ground return shield versions.

For versions other than those shown, refer to page 47 which gives access to other sizes and loading patterns.

Performance Data pages 6-7.

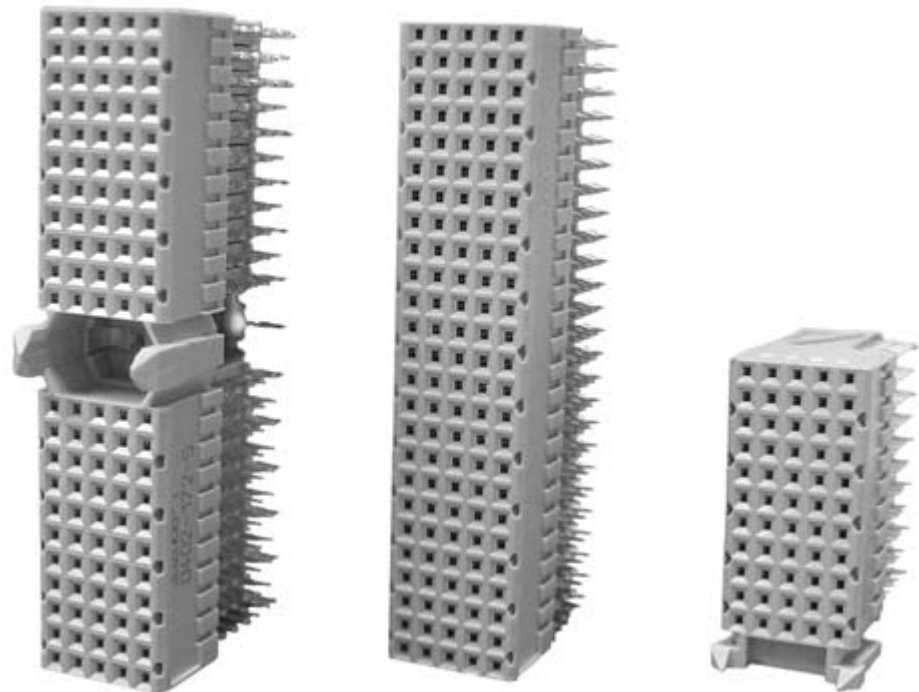
Materials and Finish

Glass filled polyester housing, gray, UL94 V-0 rated
 Phosphor-bronze signal contacts
 Contact area 0.8µm [.000030] Au over 1.3µm [.000050] Ni
 ACTION PIN Contact 0.5µm [.000020] Sn/Pb over 1.3µm [.000050] Ni

Coding keys for type A page 47.

Board layout page 69 for guidance only.

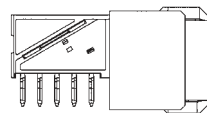
Daughtercard thickness range of 1.4 - 4.3 [.055 - .169] (3.5 [.138] max with lower shield).



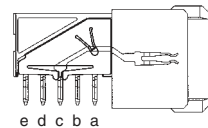
Standard Version

Reduced Crosstalk Version

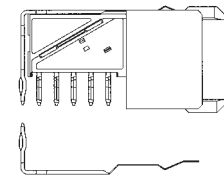
With Upper Shield Attached



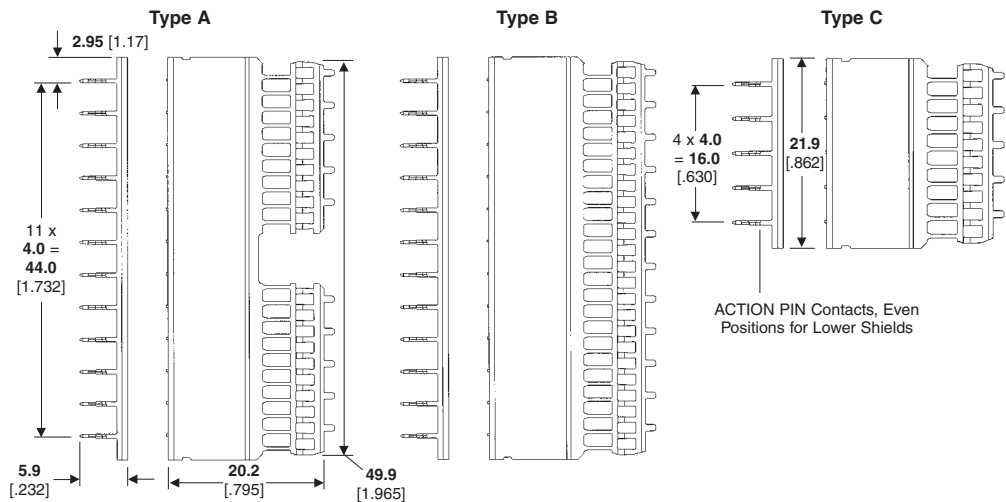
Lower Shields



Row C to Ground



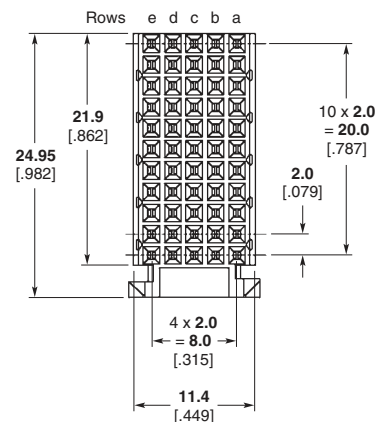
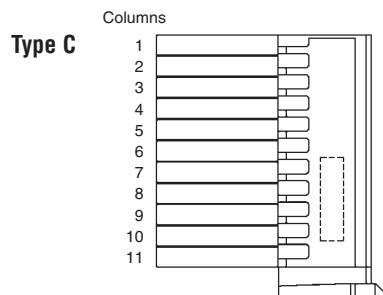
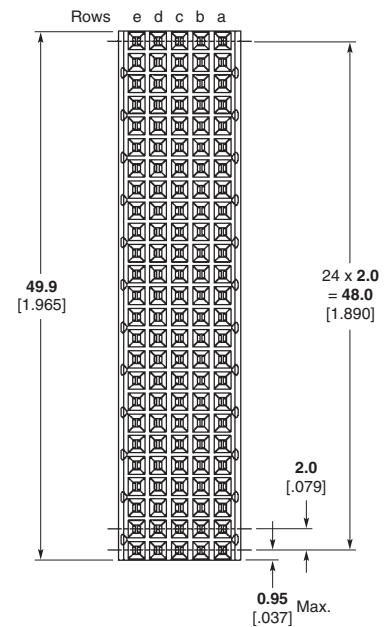
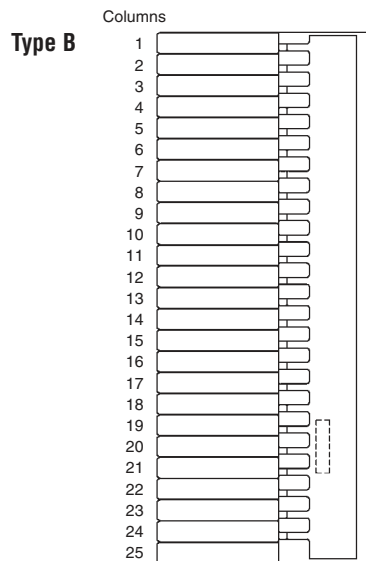
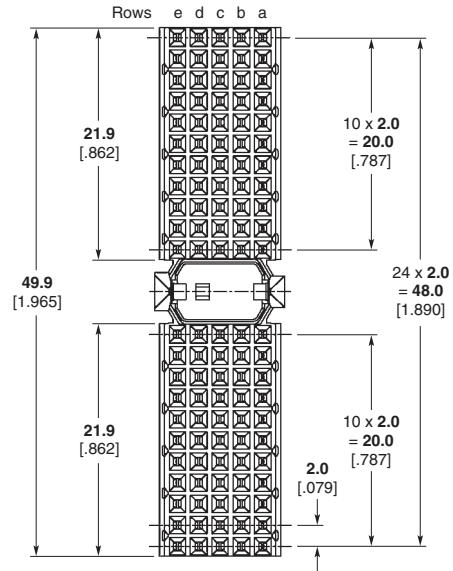
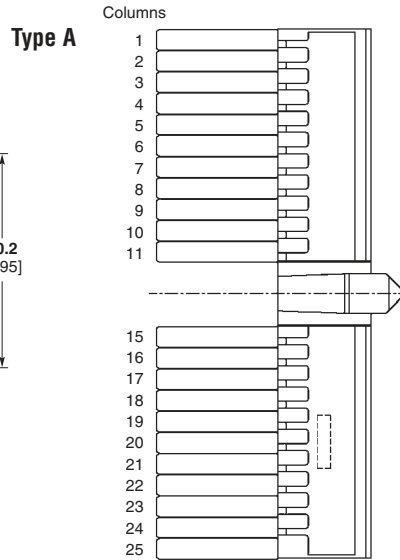
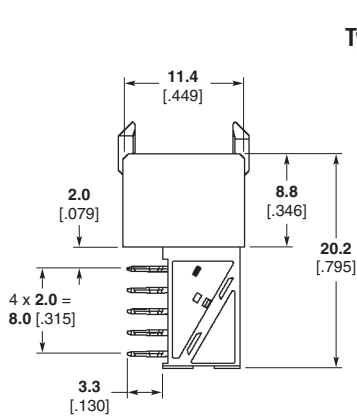
Separate Lower shield



| Description | Part Numbers | | | | |
|-------------|--------------|----------------------------|--------------------|--------------------------------------|--------------|
| | Standard | Standard with Upper Shield | Reduced Cross Talk | Reduced Cross Talk with Upper Shield | Lower Shield |
| Type A | 100147-1 | 352068-1 | 100623-1 | 352344-1 | 338108-2 |
| Type B | 100145-1 | 352069-1 | 100624-1 | 352345-1 | 338110-2 |
| Type B (22) | 188836-1 | 352152-1 | — | 1345007-1 | 352468-2 |
| Type B (19) | 352009-1 | 352171-1 | — | 1345008-1 | 352029-2 |
| Type C | 100161-1 | 352115-1 | 188224-1 | 352346-1 | 352112-2 |

For VME64 and C-PCI versions, see page 48.

Right Angle Female Connectors, 5 Row, Types A, B and C (Continued)



Right Angle Female Connectors, 5 Row, Type A/B

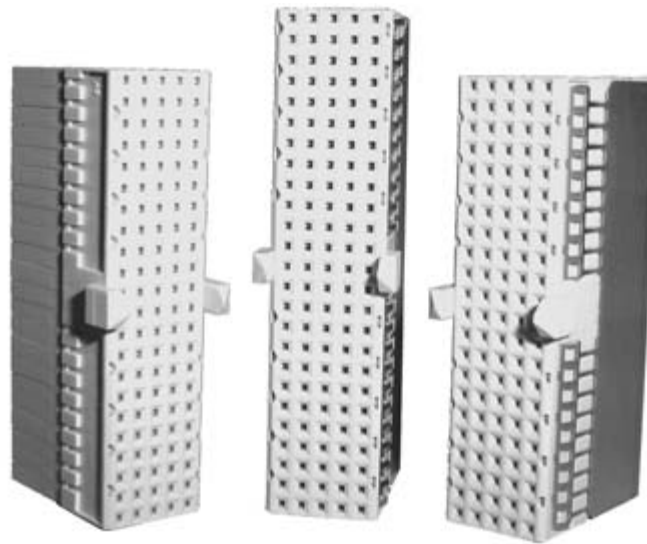
Type A/B Female Connectors

Type A/B female connector will mate with respective vertical male connector as shown on page 11.

Type A/B connector offers the guidance ability similar to the Type A connector but also utilizes the center three columns for additional signal pin capability which are not found in the Type A connector.

Available in the Type A/B connector are 95 contacts, 110 contacts and 125 contacts. All are end stackable without change of contact pitch according to the chart on page 9.

Two levels of performance are offered; standard and with upper ground return shields. Upper ground shields are pre-fitted to receptacles. 5+2 male connectors are used with ground return shield versions.



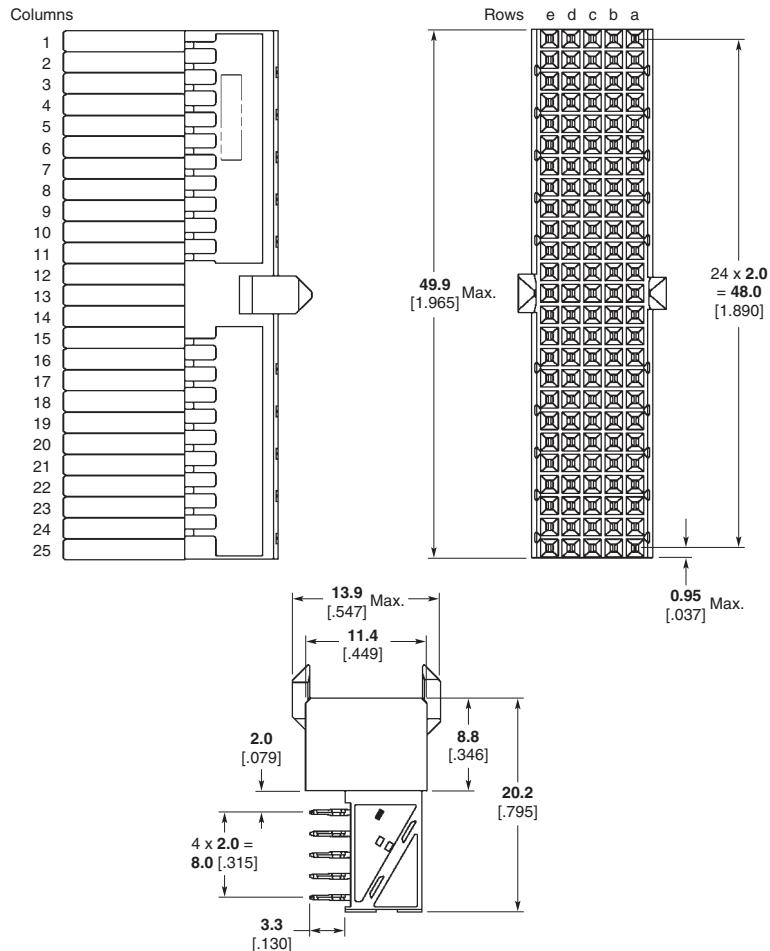
Performance Data pages 6-7.

Material and Finish

- Glass filled polyester housing, gray, UL94 V-0 rated
- Phosphor-bronze signal contacts
- Contact area 0.8µm [.000030] Au over 1.3µm [.000050] Ni
- ACTION PIN Contact 0.5µm [.000020] Sn/Pb over 1.3µm [.000050] Ni

Board layout (see Customer Print).

Daughtercard thickness range of 1.4 - 4.3 [.055 - .169].



| Description | Part Numbers | |
|---------------|--------------|----------------------------|
| | Standard | Standard with Upper Shield |
| Type A/B (25) | 646574-1 | 646547-1 |
| Type A/B (22) | 646573-1 | 646489-1 |
| Type A/B (19) | 646572-1 | 646488-1 |

Vertical Male Connectors, 8 Row, Types D, E and F

Vertical Male Connectors

Types D, E and F mate with respective right angle receptacle connectors shown on page 19.

8 row Versions

For use with unshielded female connectors. Type D has 176 signal pins with center guiding and keying facility, and type E has 200 signal pins and type F has 88 signal pins. They are stackable without change of contact pitch according to the chart on page 71.

8+2 Row Versions

For use with females with ground return shields and have contacts in rows z and i in addition to those above.

Short Tail Versions

Standard versions have contact option A in rows a-h with option C in rows z and i on 8+2 row versions.

Feedthrough Versions

For midplane connection, 8 row versions mate with standard 8 row female connectors and 8+2 row versions mate with female connectors having ground return shields. Standard versions use contact options K and T instead of A and C.

For versions other than those shown, refer to page 47 which gives access to other sizes and loading patterns.

Guide pin Part No. 532808-1 may be used with type D male connectors to give early alignment.

Performance Data pages 6-7.

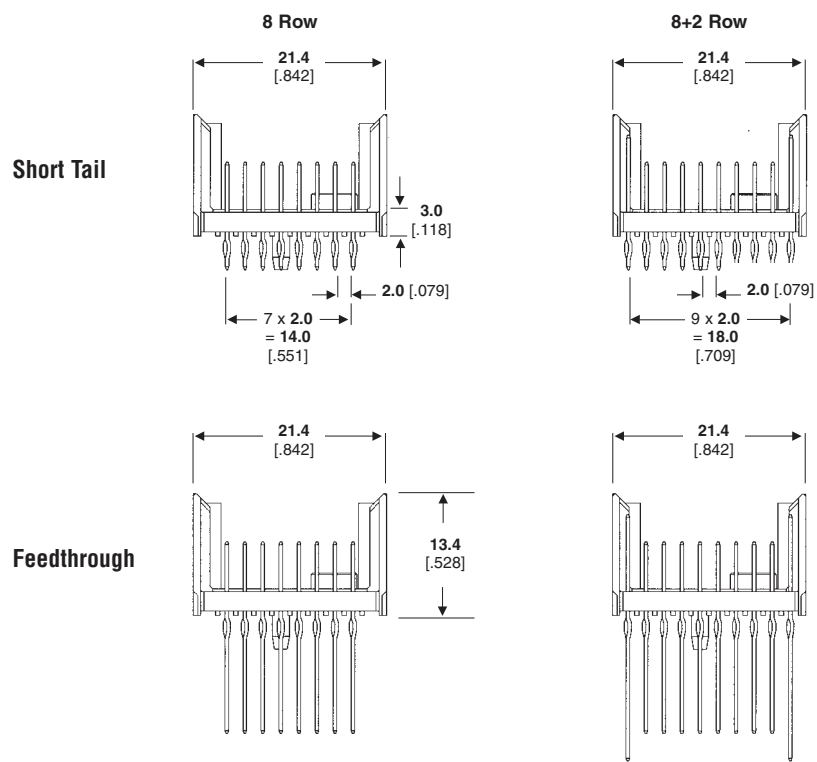
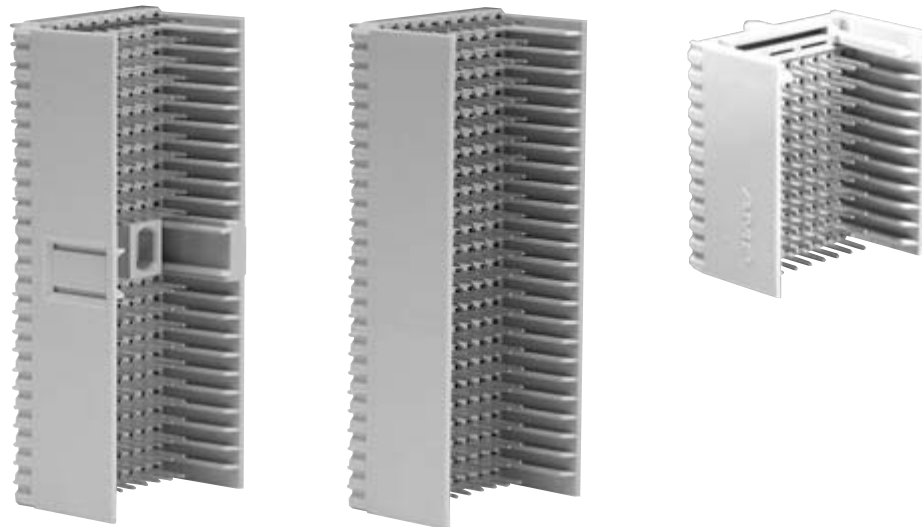
Materials and Finish

Glass filled polyester housing, gray, UL94 V-0 rated
 Phosphor-bronze signal contacts
 Contact area 0.8µm [.000030] Au over 1.3µm [.000050] Ni
 ACTION PIN Contact 0.5µm [.000020] Sn/Pb over 1.3µm [.000050] Ni

Coding keys for type D page 47.

Board layout page 71 for guidance only.

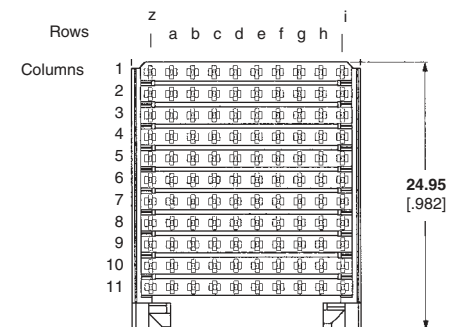
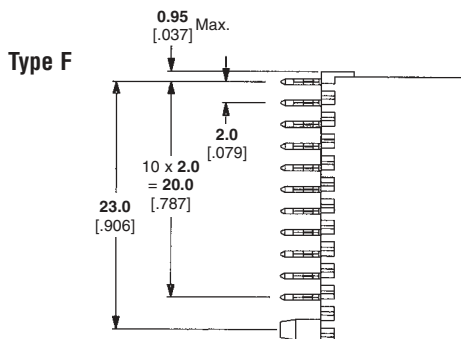
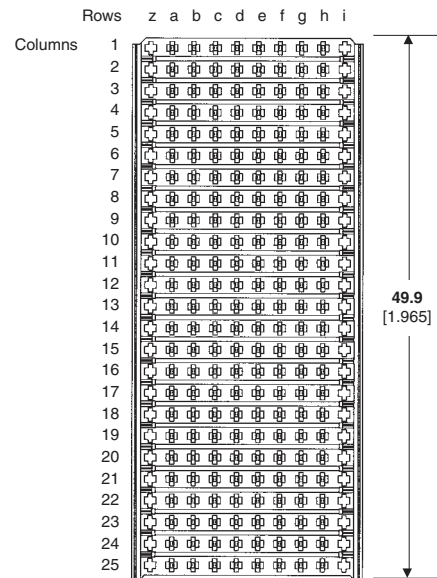
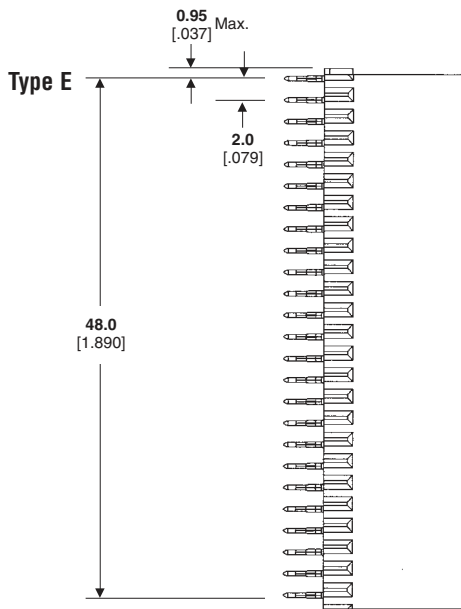
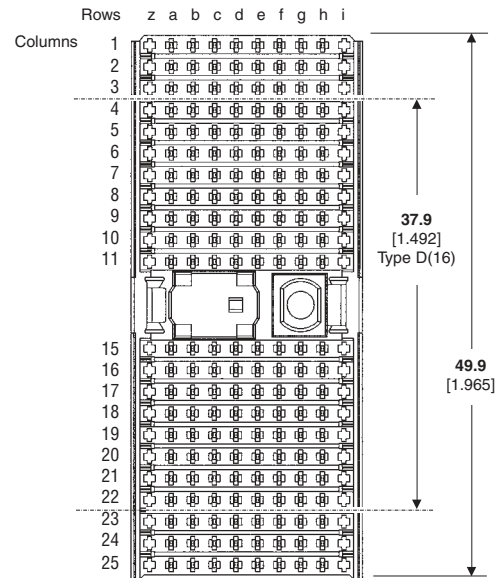
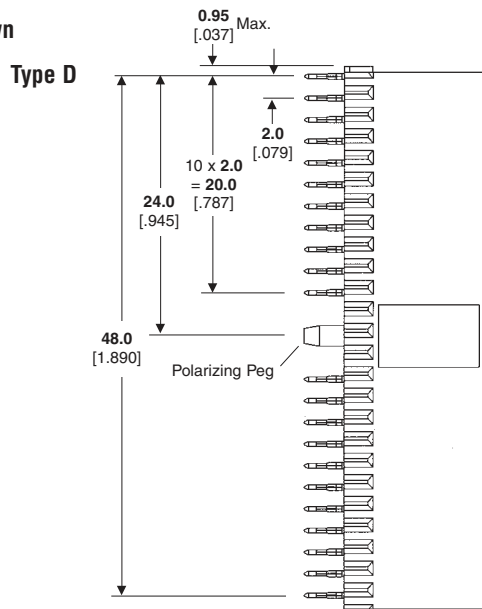
Protection Covers available, see page 33.



| Description | Part Numbers | | | |
|----------------------------------|--------------|----------|-------------|----------|
| | Short Tail | | Feedthrough | |
| | 8 Row | 8+2 Row | 8 Row | 8+2 Row |
| Type D | 646346-1 | 646356-1 | 646372-1 | 646375-1 |
| Type D (16 column, 128 position) | 646362-1 | — | — | — |
| Type E | 646347-1 | 646357-1 | 646373-1 | 646376-1 |
| Type F | 646457-1 | 646513-1 | 646514-1 | 646515-1 |

Vertical Male Connectors, 8 Row, Types D, E and F

Short Tail Versions Shown



Vertical Male Connectors, 8 Row, Type D/E

Type D/E Vertical Male Connector

Type D/E male connectors will mate with Type D/E right angle female connectors shown on page 21.

8 row Version

Type D/E connector offers the guidance ability similar to the Type D connector but also utilizes the center three columns for additional signal pin capability which are not found in the Type D connector.

Available in the Type D/E connector are 200 signal pins which are end stackable without change of contact pitch according to the chart on page 9.

8+2 Row Versions

For use with females with ground return shields and contacts in rows z and i in addition to those above.

Short Tail Versions

Standard versions have contact option A in rows a-h with option C in rows z and i on 8+2 row versions.

Feedthrough Versions

For midplane connection, 8 row versions mate with standard 8 row Type D/E female connectors and 8+2 row versions mate with Type D/E female connectors having ground return shields. Standard versions use contact options K and T instead of A and C.

Mylar tail guides can be fitted to feedthrough posts to aid assembly to the board.

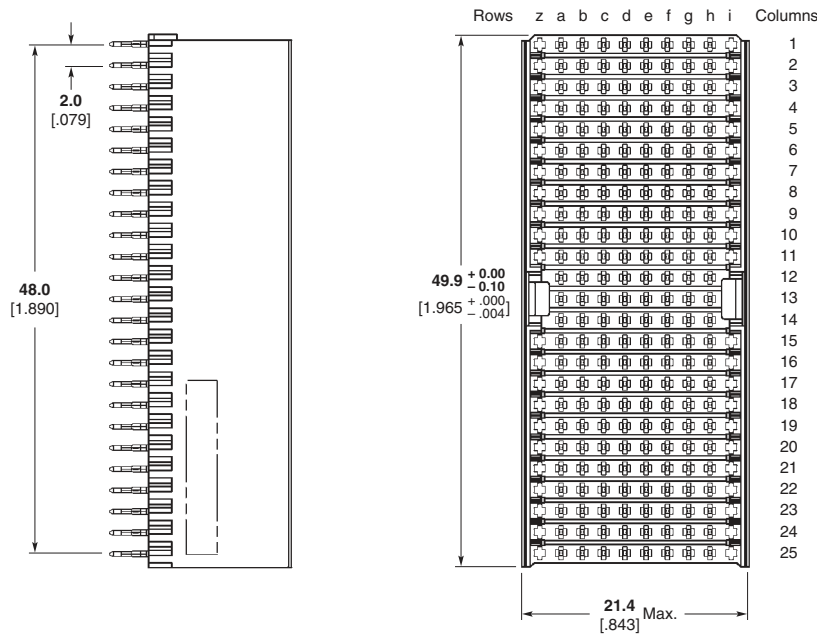
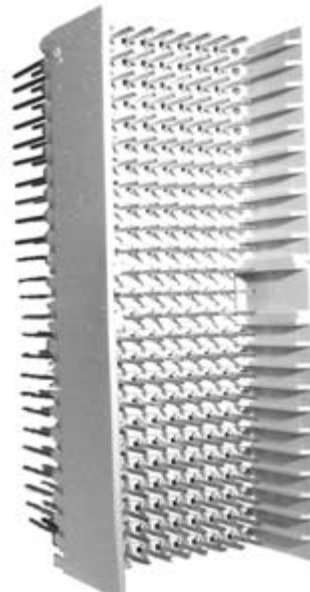
Materials and Finish

Glass filled polyester housing, gray, UL94 V-0 rated

Phosphor-bronze signal contacts
Contact area 0.8µm [.000030] Au over 1.3µm [.000050] Ni

ACTION PIN Contact 0.5µm [.000020] Sn/Pb over 1.3µm [.000050] Ni

Board layout (see Customer Print).



| Description | Part Numbers | | | |
|-------------|--------------|----------|-------------|----------|
| | Short Tail | | Feedthrough | |
| | 8 Row | 8+2 Row | 8 Row | 8+2 Row |
| Type D/E | 646729-1 | 646951-1 | 646952-1 | 646953-1 |

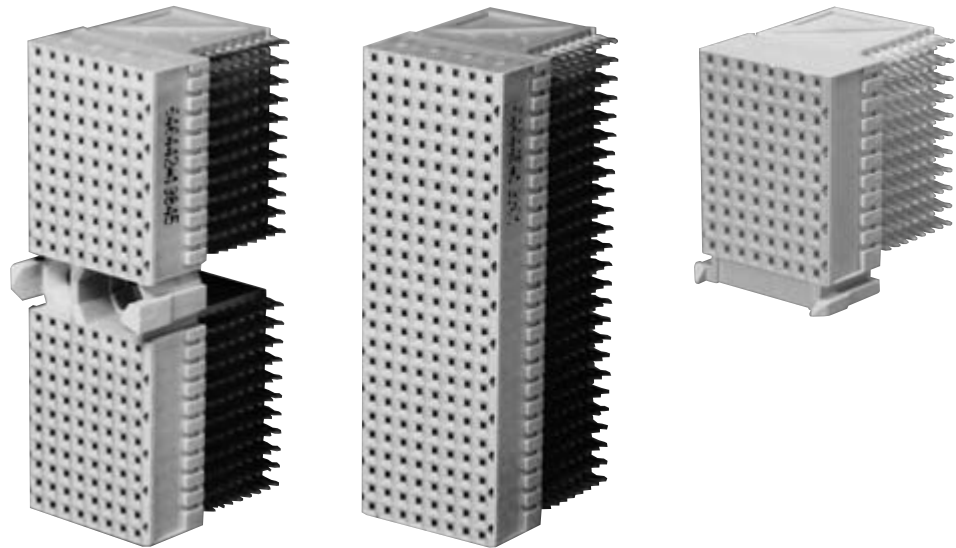
Right Angle Female Connectors, 8 Row, Types D, E and F

Right Angle Female Connectors

Types D, E and F female connectors will mate with respective vertical male connectors shown on page 16.

Type D has 176 contacts with center guiding and keying facility and type E has 200 contacts and Type F has 88 contacts. Connectors are end stackable without change of contact pitch according to the chart on page 9. Two levels of performance are offered; standard and ground return shield versions. Upper ground return shields are pre-fitted to receptacles; lower shields are supplied and fitted separately as required. 8+2 male connectors are used with ground return shield versions.

For versions other than those shown, which gives access to other sizes and loading patterns, consult Tyco Electronics.



Performance Data pages 6-7.

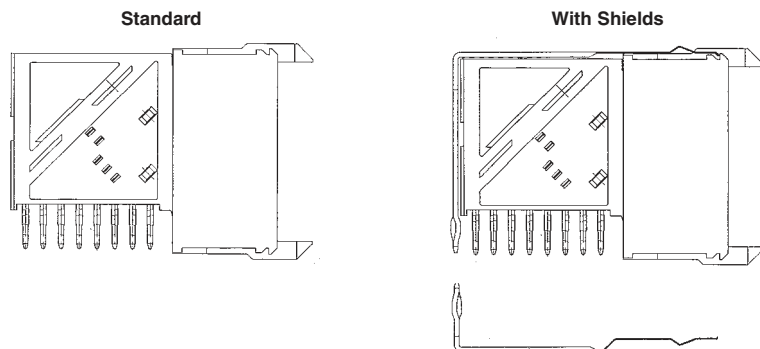
Materials and Finish

Glass filled polyester + LCP housing, gray, UL94 V-0 rated
 Phosphor-bronze signal contacts
 Contact area 0.8µm [.000030] Au over 1.3µm [.000050] Ni
 ACTION PIN Contact 0.5µm [.000020] Sn/Pb over 1.3µm [.000050] Ni

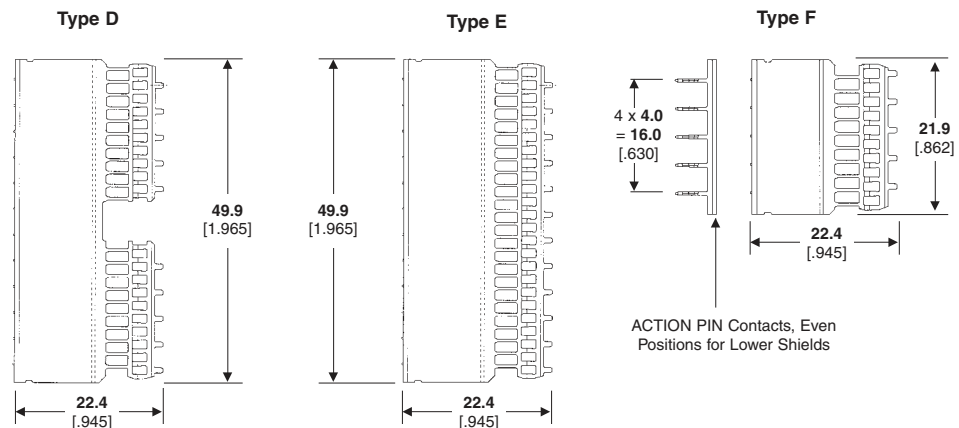
Coding Keys for Type A page 47.

Board layout page 71, for guidance only.

Daughtercard thickness range of 1.4 - 4.3 [.055 - .169] (3.5 [.138] max. with lower shield)

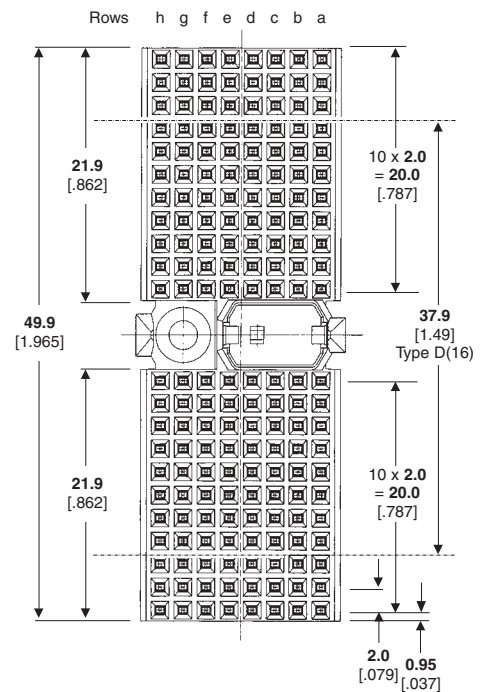
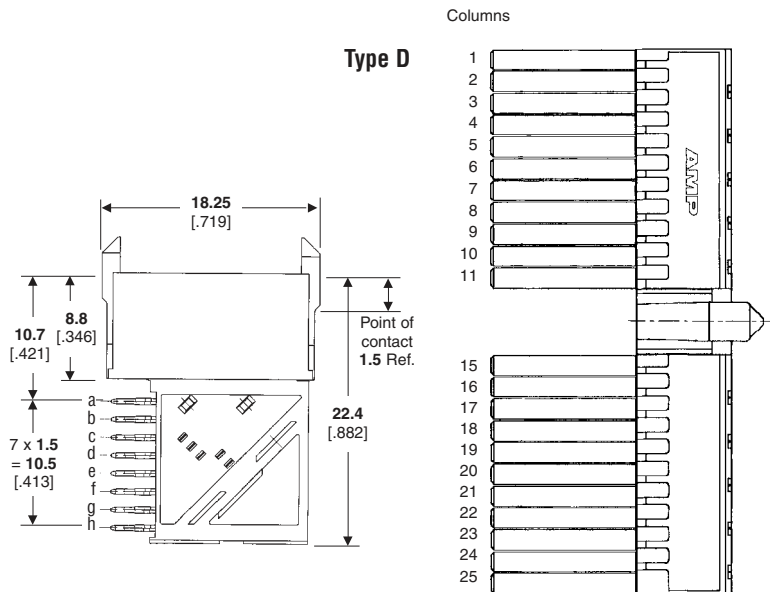


Shields



| Description | Part Numbers | | |
|-------------|--------------|----------------------------|--------------|
| | Standard | Standard with Upper Shield | Lower Shield |
| Type D | 646442-1 | 646486-1 | 646428-1 |
| Type D (16) | 646447-1 | — | — |
| Type E | 646445-1 | 646487-1 | 646430-1 |
| Type F | 646446-1 | 646492-1 | 646493-1 |

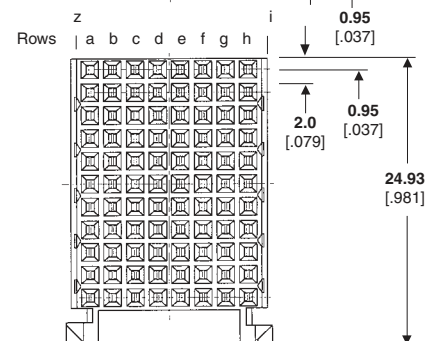
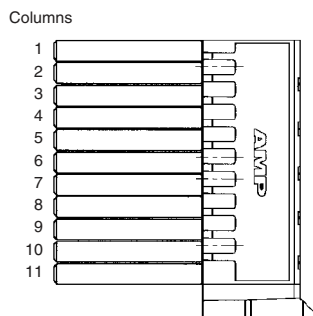
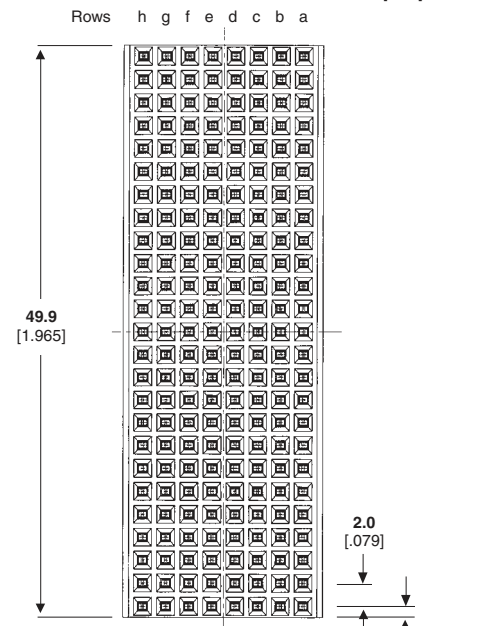
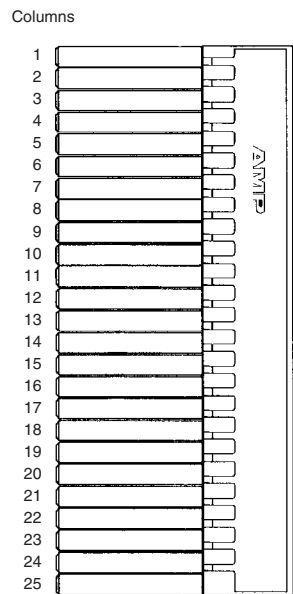
Right Angle Female Connectors, 8 Row, Types D, E and F (Continued)



Materials and Finish

Glass filled polyester housing, gray, UL94 V-0 rated
 Phosphor-bronze signal contacts
 Contact area 0.8µm [.000030] Au over 1.3µm [.000050] Ni
 ACTION PIN Contact 0.5µm [.000020] Sn/Pb over 1.3µm [.000050] Ni

Daughtercard thickness range of 1.4 - 4.3 [.055 - .169].



Right Angle Female Connectors, 8 Row, Type D/E

Type D/E Female Connectors

Type D/E female connector will mate with respective vertical male connector as shown on page 18.

Type D/E connector offers the guidance ability similar to the Type D connector but also utilizes the center three columns for additional signal pin capability which are not found in the Type D connector.

Available in the Type D/E connector are 200 contacts. All are end stackable without change of contact pitch according to the chart on page 9.

Two levels of performance are offered; standard and with upper ground return shields. Upper ground shields are pre-fitted to receptacles. 8+2 male connectors are used with ground return shield versions.

Performance Data pages 6-7.

Materials and Finish

Glass filled polyester housing, gray, UL94 V-0 rated

Phosphor-bronze signal contacts

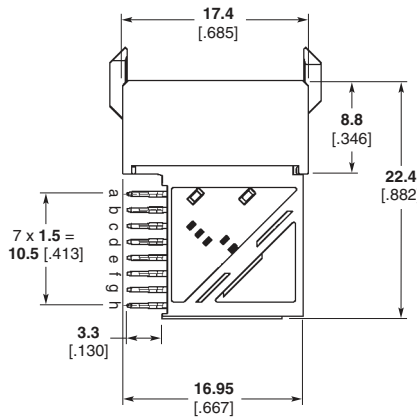
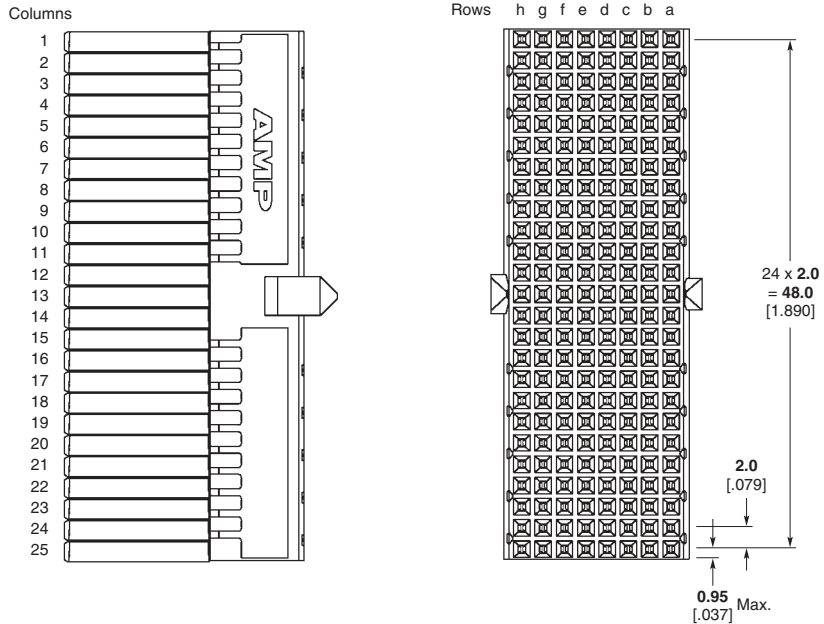
Contact area 0.8µm [.000030] Au over 1.3µm [.000050] Ni

ACTION PIN Contact 0.5µm [.000020]

Sn/Pb over 1.3µm [.000050] Ni

Board layout (see Customer Print)

Daughtercard thickness range of 1.4 - 4.3 [.055 - .169]



| Description | Part Numbers | |
|-------------|--------------|----------------------------|
| | Standard | Standard with Upper Shield |
| Type D/E | 646728-1 | 646759-1 |

4 & 4+1 Row Slim Connectors

4 & 4+1 Row Slim Connectors

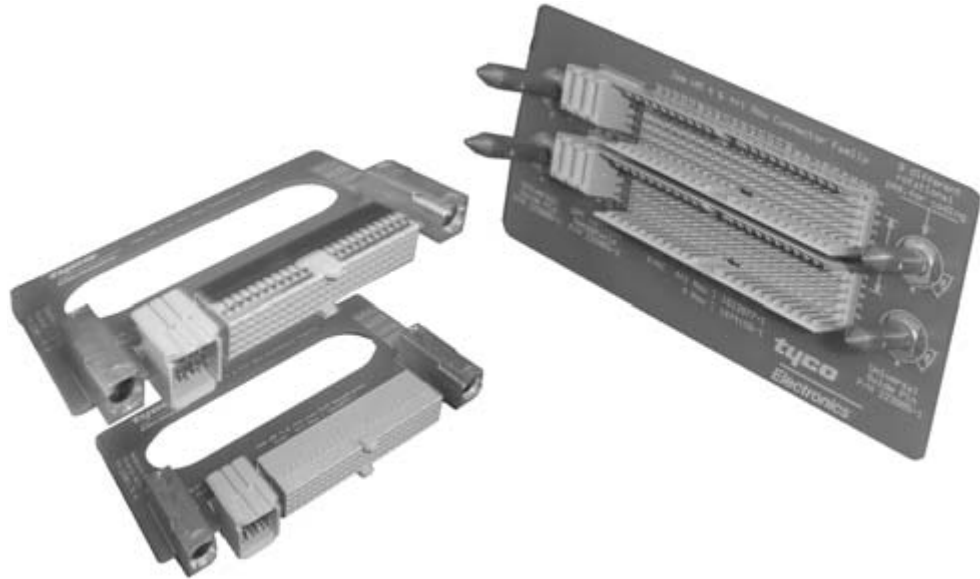
A newly designed Z-PACK 2mm HM 4 row & 4+1 row slim version of the Z-PACK Hard Metric (HM) 5 row standard backplane connector.

Application

This Z-PACK 2mm HM 4 row & 4+1 row slim connector is specifically designed to extend the Z-PACK 2mm Hard Metric standard connector product line. The connector enables the usage of Hard Metric practice in Telecommunications and Computer systems, as well as instrumentation applications with slot spacing as narrow as 15mm, giving excellent performance and mechanical characteristics at an economical price.

Product Facts

- Z-PACK 2mm HM 4 & 4+1 row slim version of HM 5 row standard connector
- Designed specifically to fit into a 15mm slot spacing and wider
- Designed in accordance with IEC 917-2-2 and IEC 61076-4-101 specifications
- Modular connector with basic module size of 50mm built in 2mm square grid
- Safe Design, complies with IEC950 in mated condition
- 1.4mm (55 mil) minimum backplane thickness
- 1.4 to 2mm (55 – 80 mil) daughtercard thickness range
- Supports applications at data rates up to 2.5 Gb/s (differential signaling) with edge rates of 100 psec., and 1:1 signal to ground ratio (10 pair/20mm), and up to 1.5 Gb/s (differential signaling) under same conditions but with 3:1 signal to ground ratio (15 pair/20mm)



| Description | Part Number |
|---|-------------|
| Right Angle Receptacle 4 row Type A/B with upper shield | 1612872-1 |
| Vertical Header 4+1 row Type A/B (122 pos.) | 1612877-1 |
| Right Angle Receptacle 4 row Type A/B | 1612913-1 |
| Vertical Header 4 row Type A/B (100 pos.) | 1674156-1 |
| Insertion Tools | |
| Vertical Header | 1-715836-1 |
| Right Angle Receptacle | 1596463-1 |

4 & 4+1 Row Slim Connectors (Continued)

Product Dimensions

Typical Electrical Properties

Flexible Pin Assignment for Differential Pair

—Max. Noise at 100ps Edge Rate
 (AA)S — G = 1:1 Across the Column
 Suitable for Data Rate — 2.5 Gb/s and up
 Near End Noise — 3.4%
 Far End Noise — 1.4%
 (BB)S — G = 1:1 in Column
 Suitable for Data Rate — 2.5 Gb/s and up
 Near End Noise — 1.8%
 Far End Noise — < 1%
 (CC)S — G = 3:1
 Suitable for Data Rate — 1.5 Gb/s
 Near End Noise — 6.4%
 Far End Noise — < 1%

Flexible Pin Assignment for Single Ended

—Max. Noise at 500ps Edge Rate
 S — G = 1:1
 Frequency — 200MHz (Max 400 Mb/s)
 Near End Noise — 4.0%
 Far End Noise — 1.2%

Technical Documents

Focus on Global Standards Consortium

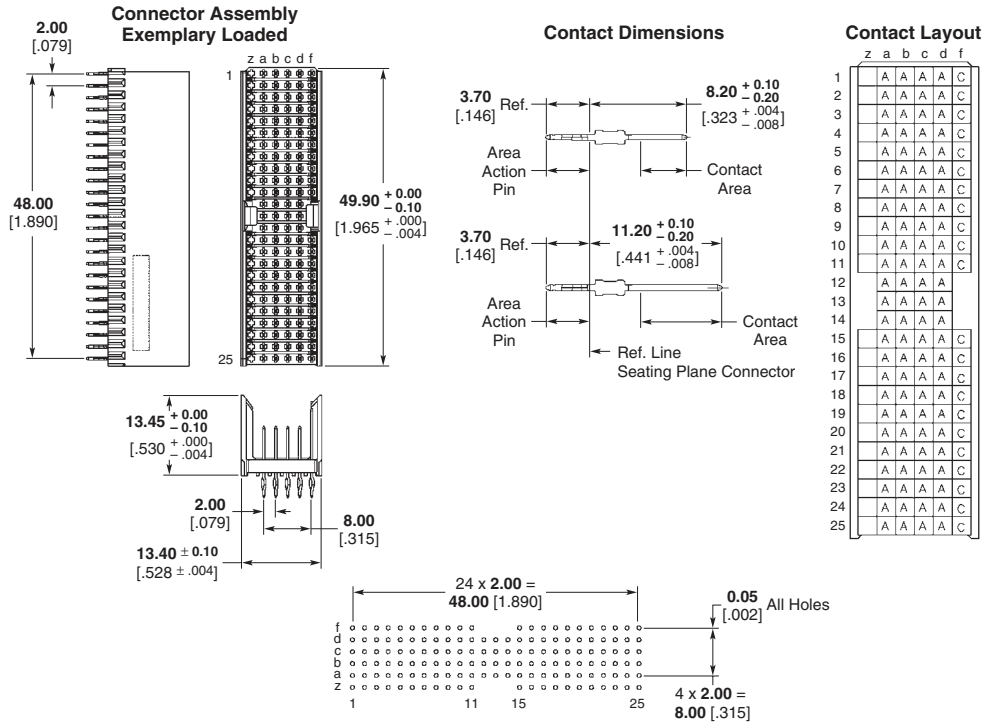
Base Station

OBSAI (Open Base Station Architecture Initiative) Established in Oct/02: <http://www.obsai.org/index.asp> Nokia/Samsung/LG/Hyundai/Syscom/ZTE

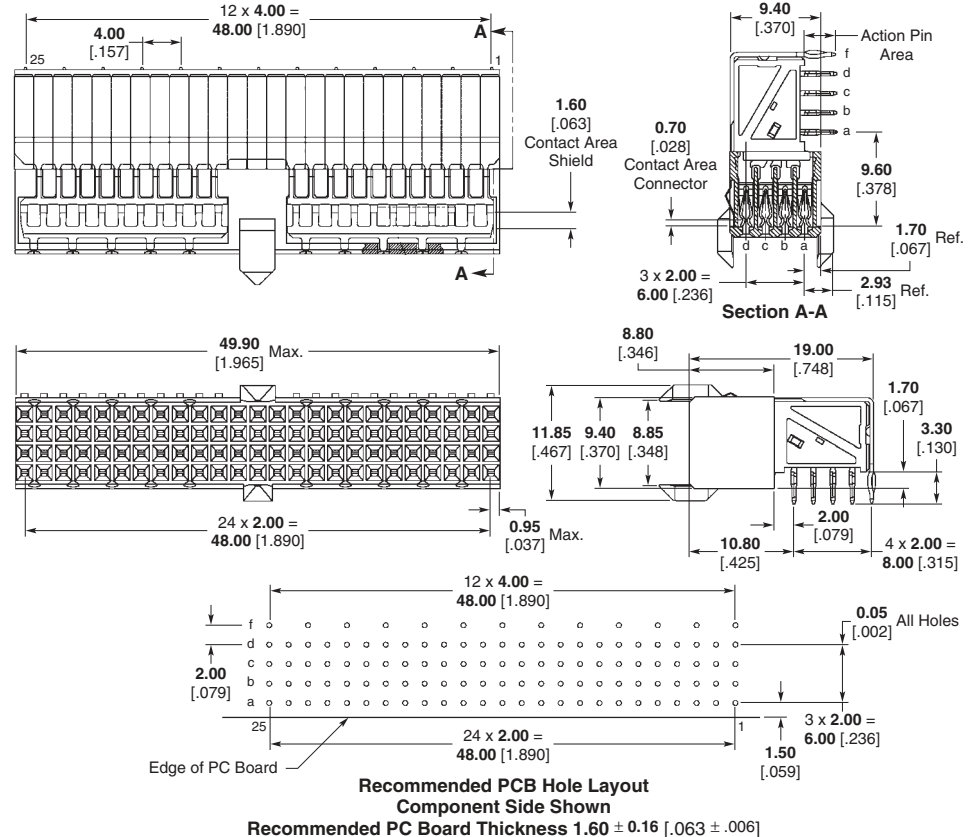
E-PON (Ethernet Passive Optical Network)

Not Standards yet but some Ad-hoc level working group in IEEE802.3 <http://www.ieee802.org/3/efm/baseline/index.html>

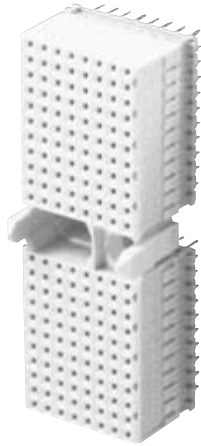
Vertical Header



Right Angle Receptacle



Vertical Female Connectors, 8 Row, Types D, E, and F



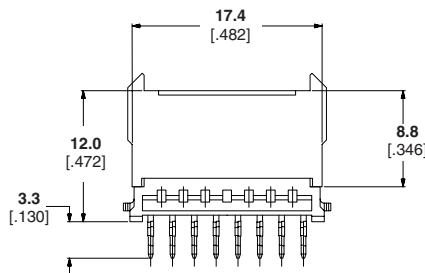
Type D Shown

Vertical Female Connector

Type D, E, and F mate with respective vertical male connectors shown on page 18. They are used in stacking applications offering high density in a limited space.

Materials and Finish

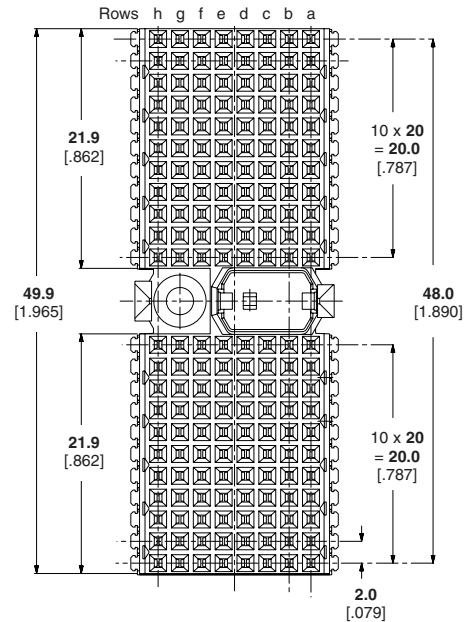
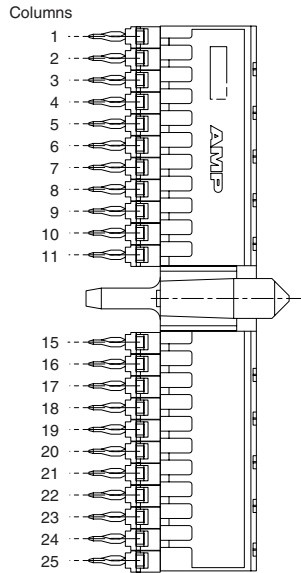
- Glass filled polyester housing, gray, UL94 V-O rated
- Phosphor-bronze signal contacts
- Contact area 0.8µm [.000030] Au over 1.3µm [.000050] Ni
- ACTION PIN Contact 0.5µm [.000020] Sn/Pb over 1.3µm [.000050] Ni



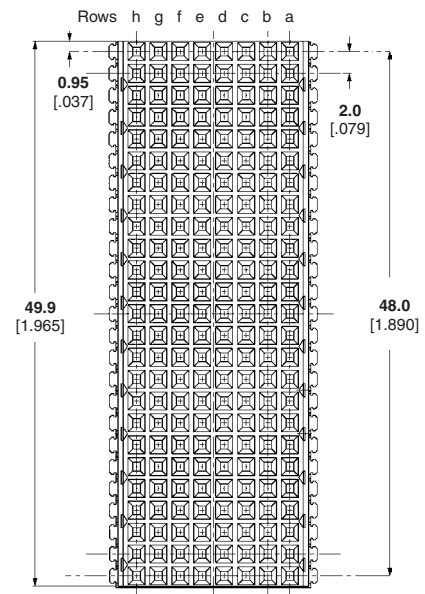
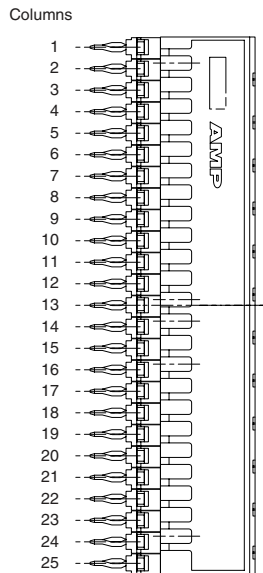
Type F Shown

| Description | Part Numbers |
|-------------|--------------|
| Type D | 646538-1 |
| Type E | 646539-1 |
| Type F | 646540-1 |
| Type D/E | 646773-1 |

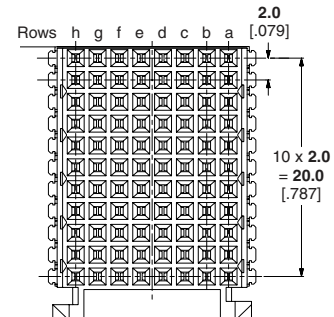
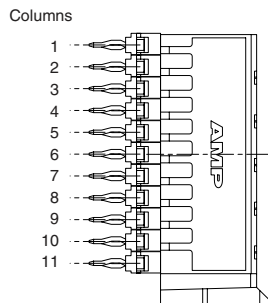
Type D



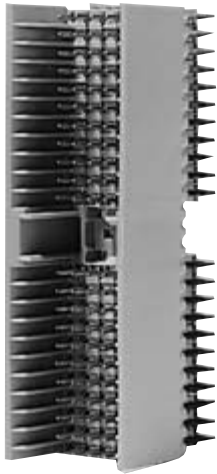
Type E



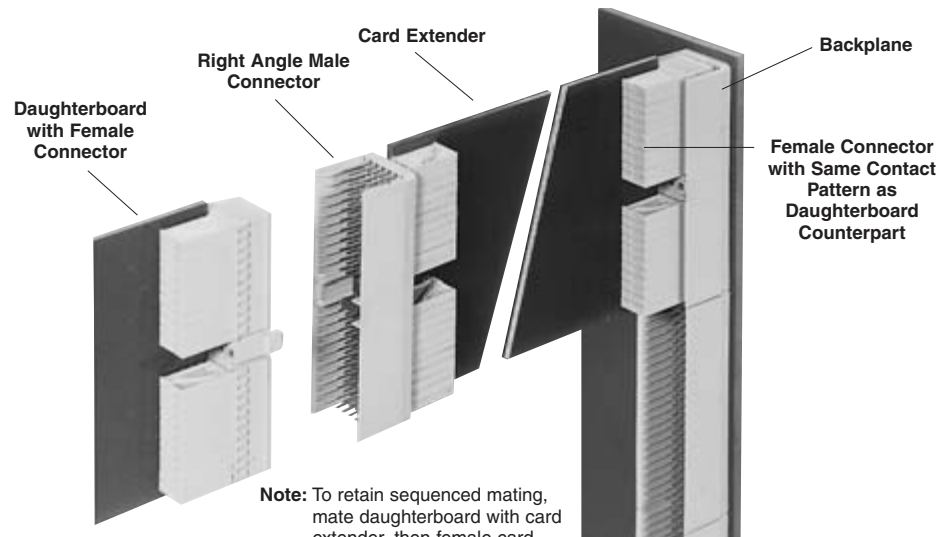
Type F



Right Angle Male Connectors, Type A, B, C



Arrangement



Right Angle Male Connector

Used for card extender and reverse sex daughter-to-backplane application

Types A, B and C connectors mate with respective right angle female connectors for card extenders and with vertical female connectors for reverse sex connection. Refer to pages 13 and 27.

Type A has 110 contacts with center guiding and keying facility; Type B has 125 contacts and Type C has 55 contacts with guiding feature. Standard versions have pins with mating level 1; see page 47 for other options.

Two performance levels are available; standard and reduced crosstalk

Performance Data pages 6-7.

Materials and Finish

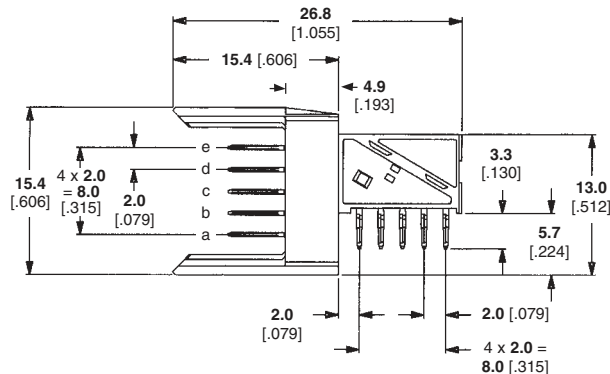
Glass filled polyester housing, gray, UL94 V-0 rated
 Contact area 0.8µm [.000030] Au over 1.3µm [.000050] Ni
 ACTION PIN Contact 0.5µm [.000020] Sn/Pb over 1.3µm [.000050] Ni

Coding keys for type A page 47.

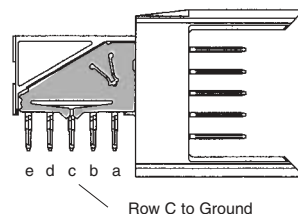
Board layout page 69 for guidance only.

Side Elevation

Standard Version



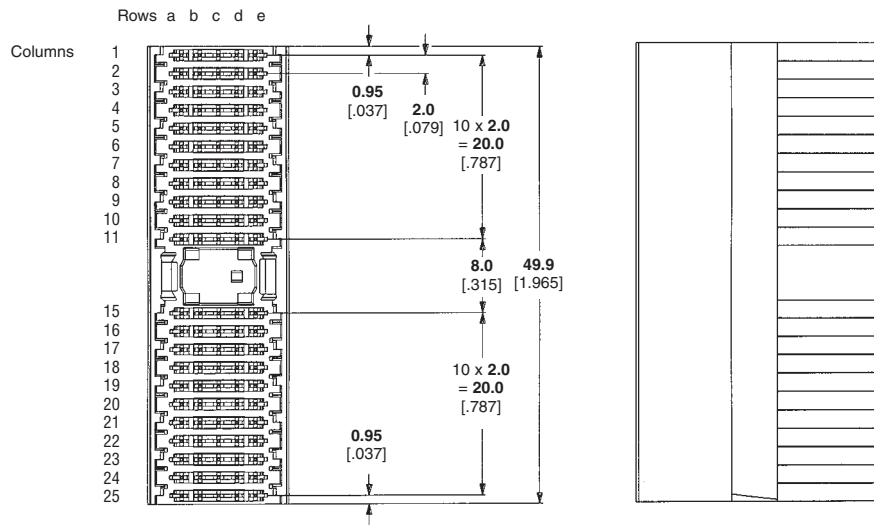
Reduced crosstalk version.
 Same dimensions as standard version. Consult Tyco Electronics.



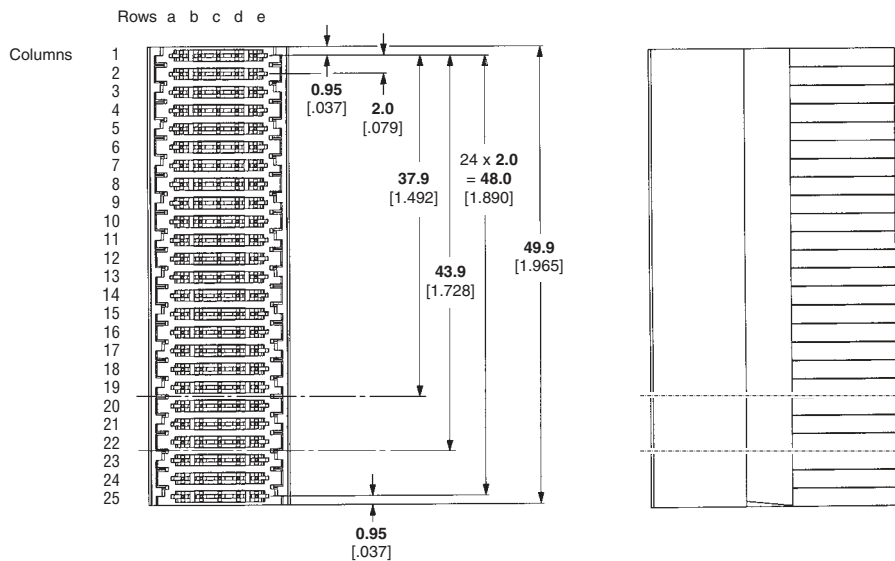
| Description | Part Numbers | |
|--------------|--------------|-------------------|
| | Standard | Reduced Crosstalk |
| Type A | 106015-1 | 352271-1 |
| Type B | 106014-1 | 352272-1 |
| Type B 22col | 352131-1 | — |
| Type B 19col | 352406-1 | — |
| Type C | 106012-1 | 352273-1 |

Right Angle Male Connectors, Type A, B, C (Continued)

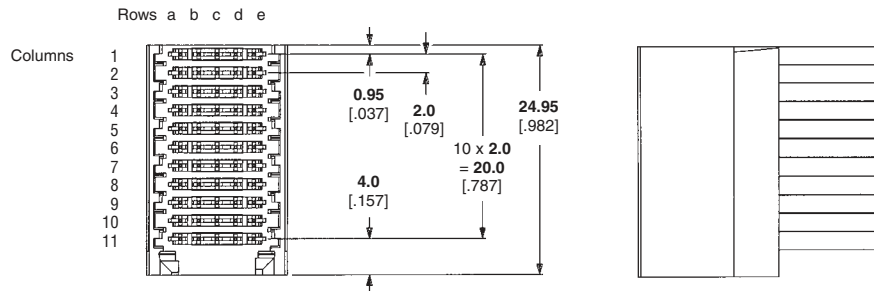
Type A, 110 Signal Pins, 50mm Module



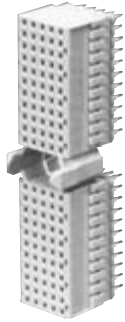
Type B, 125 Signal Pins, 50mm Module



Type C, 55 Signal Pins, 25mm Module



Vertical Female Connectors, 5 Row, Types A, B, and C



Vertical Female Connectors

Types A, B and C mate with respective right angle and vertical male connectors shown on pages 10 and 25.

Type A has 110 contacts and center keying and guiding. Type B has 125 contacts and Type C has 55 contacts with guiding feature. All are stackable without change in contact pitch according to the chart on page 9.

Limited other contact patterns are available; see page 47.

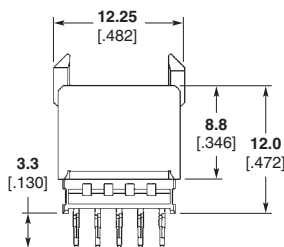
Performance Data pages 6-7.

Materials and Finish

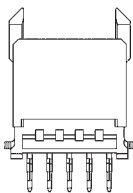
- Glass filled polyester housing.
- Phosphor-bronze signal contacts
- Contact area 0.8µm [.000030] Au over 1.3µm [.000050] Ni
- ACTION PIN Contact 0.5µm [.000020] Sn/Pb over 1.3µm [.000050] Ni

Coding keys for type A page 47.

Board layout page 69 for guidance only.

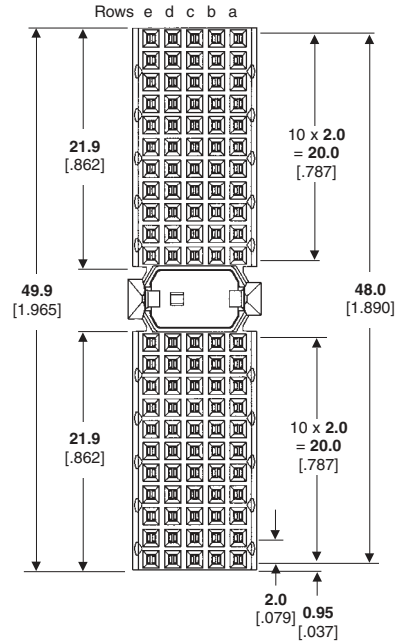
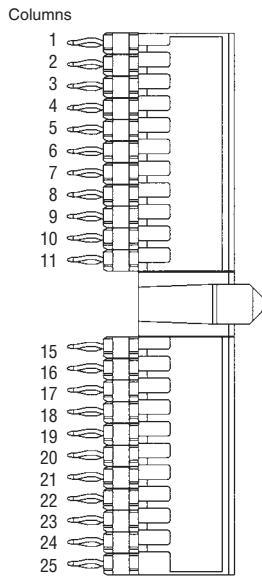


Type A shown

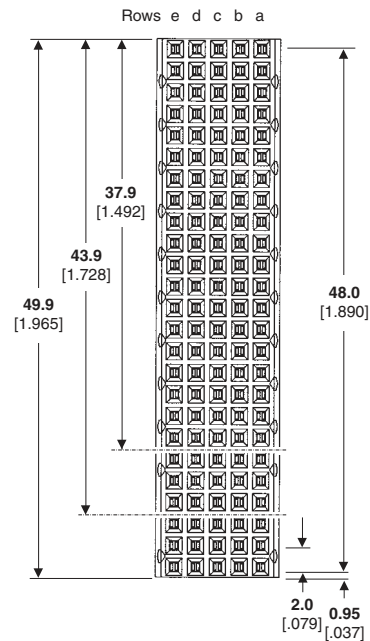
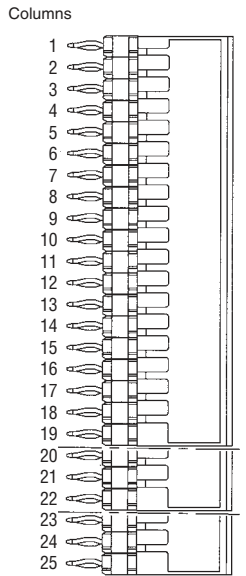


Optional Configuration

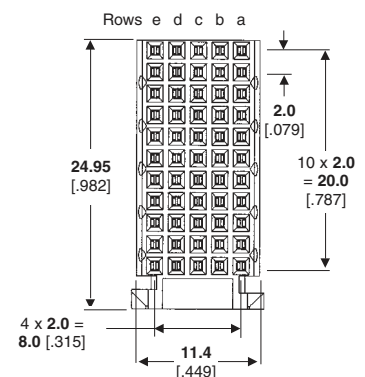
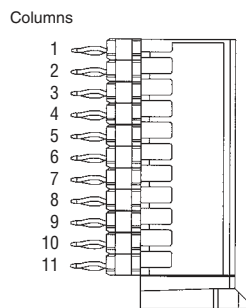
Type A



Type B



Type C



| Description | Part Numbers |
|-------------------------------|--------------|
| Type A (without locating peg) | 106773-1 |
| Type A (with locating peg) | 352457-1 |
| Type B | 106774-1 |
| Type B 22 col | 352268-1 |
| Type B 19 col | 352269-1 |
| Type C | 106775-1 |

Midplane Board-to-Board Arrangements

Midplane Connection

Daughterboards can be connected to either side of a backplane in parallel, asymmetric parallel and cross connect configuration. Vertical male connectors with feedthrough pins are used with shrouds and spacers.

Feedthrough pins can be in 5, 5+2, 8 or 8+2 row configuration. Spacers are selected according to backplane thickness to give the required resultant post mating level. See page 31.

Optional one piece shrouds available. See page 32.

Daughtercard connectors are the same for front and rear using types A, B, C, D, E and F.

Parallel Connection

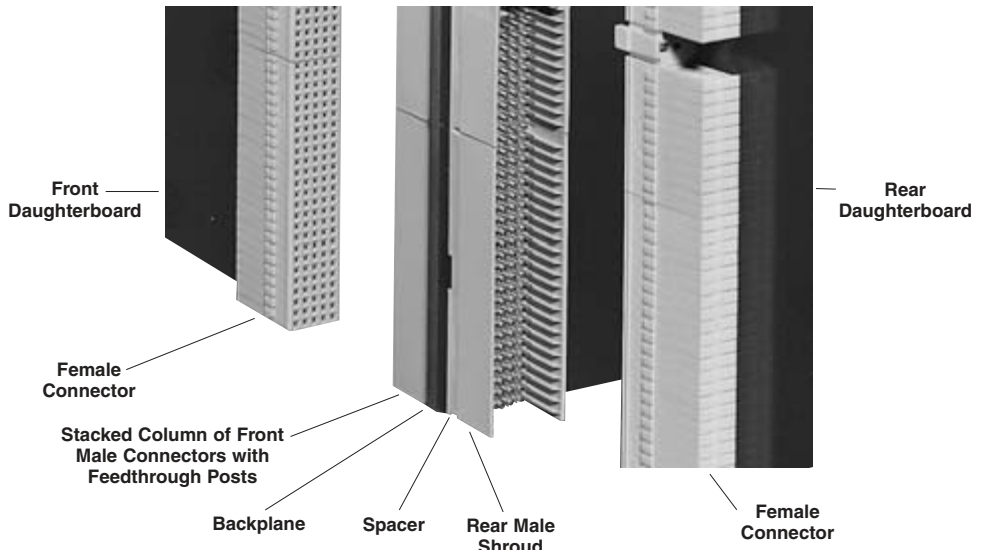
Parallel connection can be symmetric, where the daughtercards are the same way up, or asymmetric, where they are reversed. Column numbers are reversed on the backplane rear with symmetric orientation.

Cross Connect

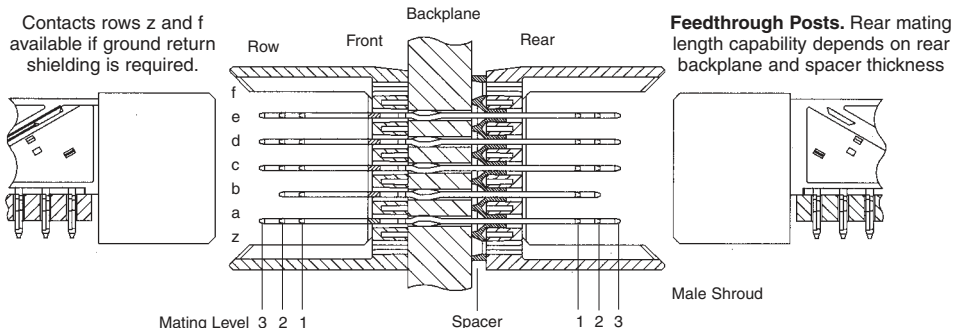
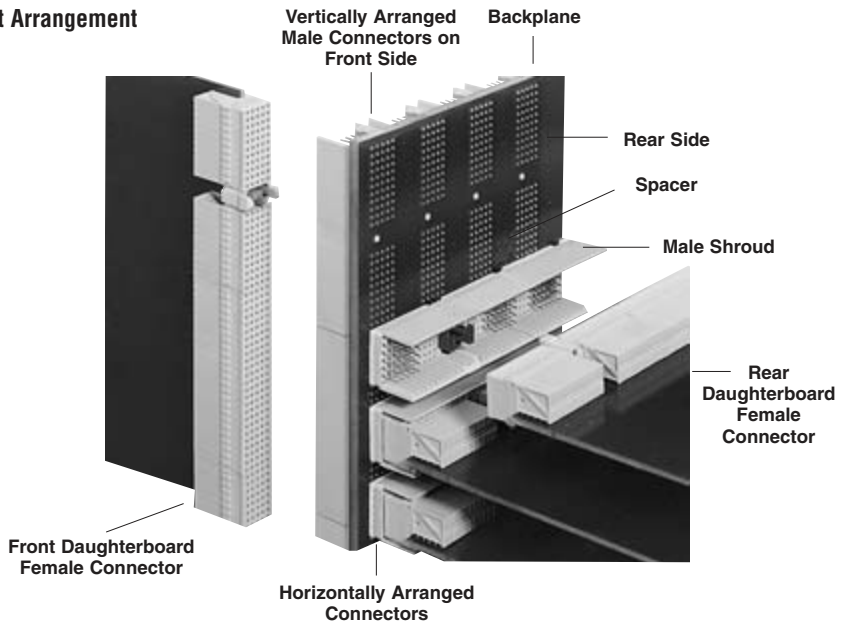
Cross connect can be configured with spacers and shrouds as above giving a matrix of pins where male connectors and shrouds coincide, or selective loaded male connectors can be used at the rear, with empty positions to allow for feedthrough posts from the front. Post options U,V, or X must be used. When male connectors are used front and rear, spacers cannot be used to adjust post lengths.

All arrangements can use receptacles with ground return shields. Consult Tyco Electronics if EMI/RFI shielding is required.

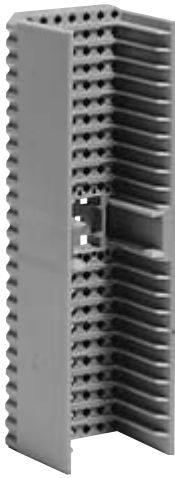
Vertical Board Arrangement, shown with symmetrical daughterboards



Cross-connect Arrangement



Male Shrouds (ZIF Style)



ZIF Shrouds

Zero insertion force shrouds are used with spacers which have two functions.

- Allows the shroud to fit over the pins without scratching the surface, yet retain the shroud when pressed in position.
- Compensate for differing backplane thicknesses to provide required pin mating levels.

Spacers are fitted to shrouds and then assembled to the pins.

Clamping is effected by pressing the shroud with a male insertion tool.

5 row shrouds are suitable for 5 or 5+2 rows of pins; likewise 8 row shrouds are suitable for 8 or 8+2 rows.

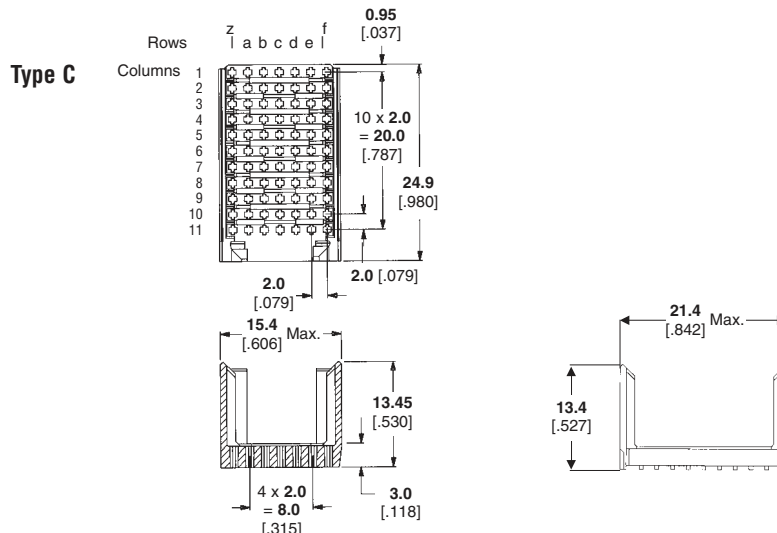
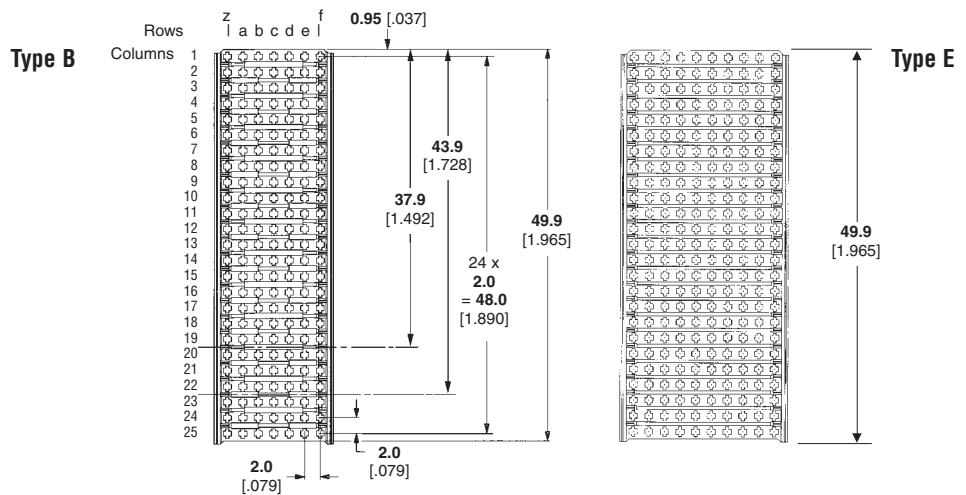
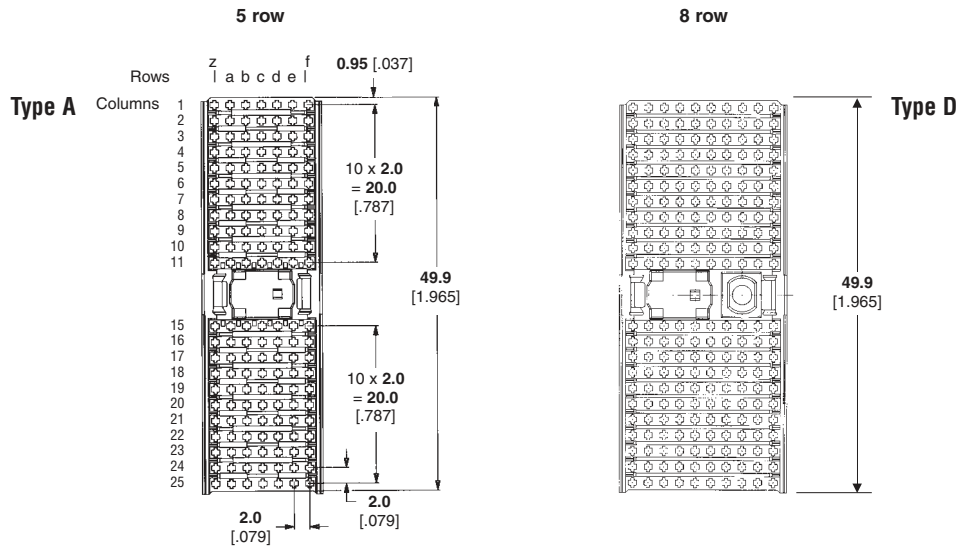
Performance data pages 6-7.

Materials

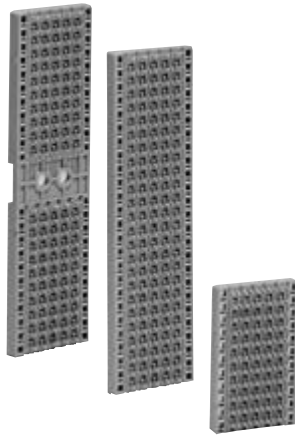
Glass filled polyester housing, gray, UL94 V-0 rated

Coding Keys for type A page 47.

| Shroud Type | Part Numbers |
|-------------|--------------|
| A | 106137-2 |
| B | 106138-2 |
| 19 col B | 352011-2 |
| 22 col B | 352130-2 |
| C | 106182-2 |
| D | 646370-1 |
| E | 646345-1 |



Spacers for Type A, B, and C Male ZIF Shrouds



Spacers

Spacers are available to suit the shrouds on the page opposite in various thicknesses to compensate for a range of backplane thicknesses.

The sum of backplane and spacer thickness could be 4.7 [1.85], which would give pin mating levels equivalent to those of a pin header, but users should study the conditions overleaf in view of large backplane thickness tolerances.

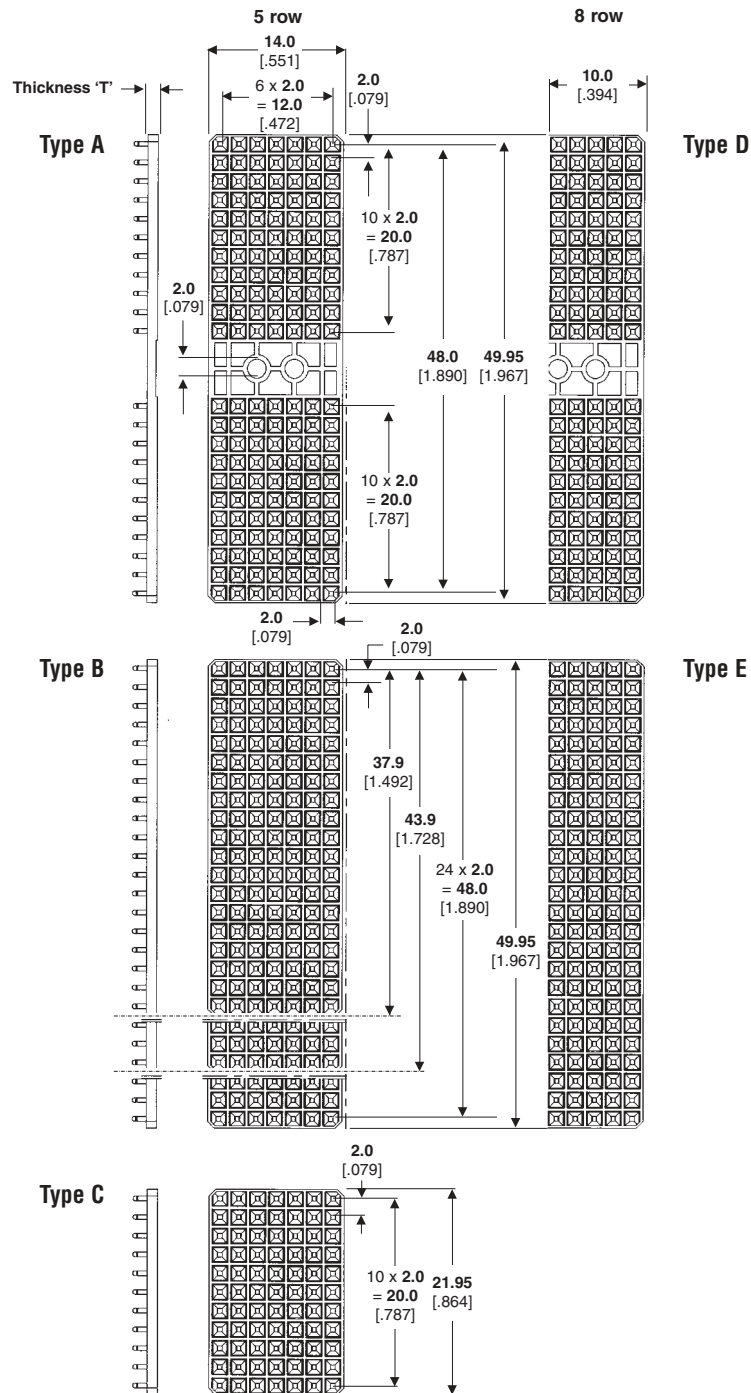
If this dimension cannot be met, use the data overleaf to select pin lengths to compensate for thicker or thinner backplane/spacer combinations.

Spacers are assembled to shrouds before fitting over pins, and then pressed down using a male insertion tool. The tapered projections grip the pins and help to ensure true positioning of the pin tips.

Note: Two spacers are used for each 8 row shroud

Materials

Polyester, gray, UL94 V-0 rated.



| Spacer Type T | 0.9 [.035] | 1.1 [.043] | 1.3 [.051] | 1.5 [.059] | 1.7 [.067] | 1.9 [.075] |
|------------------|------------|------------|------------|------------|------------|------------|
| A | 106457-2 | 106457-3 | 106457-4 | 106457-5 | 106457-6 | 106457-7 |
| B | 106458-2 | 106458-3 | 106458-4 | 106458-5 | 106458-6 | 106458-7 |
| 19 col B | 352012-2 | 352012-3 | 352012-4 | 352012-5 | 352012-6 | 352012-7 |
| 22 col B | 352129-2 | 352129-3 | 352129-4 | 352129-5 | 352129-6 | 352129-7 |
| C | 100773-2 | 100773-3 | 100773-4 | 100773-5 | 100773-6 | 100773-7 |
| D* | 646386-1 | 646386-2 | 646386-3 | 646386-4 | 646386-5 | 646386-6 |
| E* | 646387-1 | 646387-2 | 646387-3 | 646387-4 | 646387-5 | 646387-6 |

* Two spacers per shroud

Spacer Selection

Spacer Selection

For midplane arrangements, it is generally a requirement to have the same contact sequencing on the front and rear of the backplane.

This can be achieved using the chart below. A simple solution would be to select a spacer such that the combined backplane and spacer thickness have a maximum thickness of 4.7 [.185] using pins having the same mating level front and rear (see page 66).

If this is not possible, then sequenced mating can still be achieved using other pin versions, with either longer or shorter tail lengths according to the backplane thickness, but three mating levels will not be achievable.

The following limits of exposed post length should be adhered to:

- Minimum 5.3 [.209]
- Maximum 8.3 [.327] except post which mates with right angle female connector row b, which must be 6.8 [.268] max.
- These dimensions are different from those given elsewhere in this catalog because they allow for component tolerances in deriving the resultant post length.
- Backplane tolerances are not included.

Example

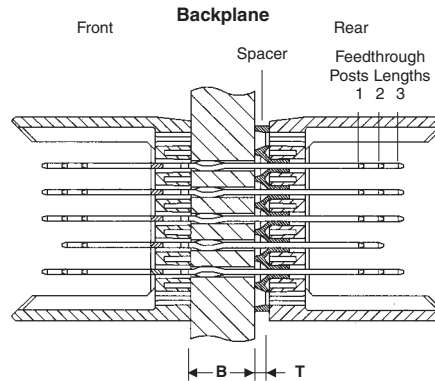
Backplane thickness = 3.0 [.118] and three levels of mating are required. Backplane thickness tolerances are generally +/-10%, giving a maximum value of 3.3 [.130].

From the chart, three mating levels are achieved on the line where $b + t = 4.7$ [.185], and the pins can be selected from K, L or M for post length 5.3 [.209], N, P, or Q for post length 6.8 [.268] and R, S or T for post length 8.3 [.327], dependent on the front pin length required. Note that posts longer than 6.8 [.268] cannot be mated to row b on right angle receptacles See page 66.

If $b + t = 4.7$ [.185] and the backplane thickness $b = 3.3$ [.118], required spacer t must be 1.4 [.055] thick. Select the spacer which is this thickness or the next thinner one. The next value below this is 1.3 [.051].

With minimum backplane thickness of 2.7 [.106] and spacer of 1.3 [.051], $b + t$ min. is 4.0 [.157], which satisfies the minimum value conditions.

Referring to page 30, the required spacer for an A type shroud would be part number 106457-4.



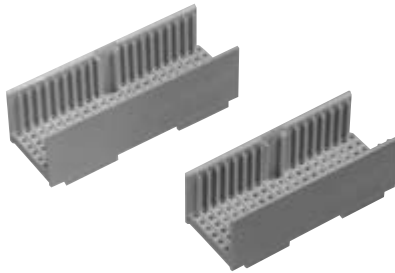
Ideal Spacer/Board Combinations

| PC Board Thickness (B) | Contact Tail Length | Spacer Thickness (T) | Mating Level | Pin Length |
|------------------------|---------------------|----------------------|--------------|-------------|
| 1.5 [.059] | 13.0 [.512] | 1.7 [.067] | 2 | 6.85 [.270] |
| | 14.5 [.571] | 1.7 [.067] | 3 | 8.35 [.329] |
| 1.7 [.067] | 13.0 [.512] | 1.5 [.059] | 3 | 6.85 [.270] |
| | 14.5 [.571] | 1.5 [.059] | 3 | 8.35 [.329] |
| 1.9 [.075] | 13.0 [.512] | 1.3 [.051] | 2 | 6.85 [.270] |
| | 14.5 [.571] | 1.3 [.051] | 3 | 8.35 [.329] |
| 2.1 [.083] | 13.0 [.512] | 1.1 [.043] | 2 | 6.85 [.270] |
| | 14.5 [.571] | 1.1 [.043] | 3 | 8.35 [.329] |
| 2.3 [.091] | 13.0 [.512] | 0.9 [.035] | 2 | 6.85 [.270] |
| | 14.5 [.571] | 0.9 [.035] | 3 | 8.35 [.329] |
| 2.8 [.110] | 13.0 [.512] | 1.9 [.075] | 1 | 5.35 [.211] |
| | 14.5 [.571] | 1.9 [.075] | 2 | 6.85 [.270] |
| | 16.0 [.630] | 1.9 [.075] | 3 | 8.35 [.329] |
| 3.0 [.118] | 13.0 [.512] | 1.7 [.067] | 1 | 5.35 [.211] |
| | 14.5 [.571] | 1.7 [.067] | 2 | 6.85 [.270] |
| | 16.0 [.630] | 1.7 [.067] | 3 | 8.35 [.329] |
| 3.2 [.126] | 13.0 [.512] | 1.5 [.059] | 1 | 5.35 [.211] |
| | 14.5 [.571] | 1.5 [.059] | 2 | 6.85 [.270] |
| | 16.0 [.630] | 1.5 [.059] | 3 | 8.35 [.329] |
| 3.4 [.134] | 13.0 [.512] | 1.3 [.051] | 1 | 5.35 [.211] |
| | 14.5 [.571] | 1.3 [.051] | 2 | 6.85 [.270] |
| | 16.0 [.630] | 1.3 [.051] | 3 | 8.35 [.329] |
| 3.6 [.142] | 13.0 [.512] | 1.1 [.043] | 1 | 5.35 [.211] |
| | 14.5 [.571] | 1.1 [.043] | 2 | 6.85 [.270] |
| | 16.0 [.630] | 1.1 [.043] | 3 | 8.35 [.329] |
| 3.8 [.150] | 13.0 [.512] | 0.9 [.035] | 1 | 5.35 [.211] |
| | 14.5 [.571] | 0.9 [.035] | 2 | 6.85 [.270] |
| | 16.0 [.630] | 0.9 [.035] | 3 | 8.35 [.329] |
| 4.3 [.169] | 14.5 [.571] | 1.9 [.075] | 1 | 5.35 [.211] |
| | 16.0 [.630] | 1.9 [.075] | 2 | 6.85 [.270] |
| 4.5 [.177] | 14.5 [.571] | 1.7 [.067] | 1 | 5.35 [.211] |
| | 16.0 [.630] | 1.7 [.067] | 2 | 6.85 [.270] |
| 4.7 [.185] | 14.5 [.571] | 1.5 [.059] | 1 | 5.35 [.211] |
| | 16.0 [.630] | 1.5 [.059] | 2 | 6.85 [.270] |
| 4.9 [.193] | 14.5 [.571] | 1.3 [.051] | 1 | 5.35 [.211] |
| | 16.0 [.630] | 1.3 [.051] | 2 | 6.85 [.270] |
| 5.1 [.201] | 14.5 [.571] | 1.1 [.043] | 1 | 5.35 [.211] |
| | 16.0 [.630] | 1.1 [.043] | 2 | 6.85 [.270] |
| 5.3 [.209] | 14.5 [.571] | 0.9 [.035] | 1 | 5.35 [.211] |
| | 16.0 [.630] | 0.9 [.035] | 2 | 6.85 [.270] |
| 5.8 [.228] | 16.0 [.630] | 1.9 [.075] | 1 | 5.35 [.211] |
| | 16.0 [.630] | 1.7 [.067] | 1 | 5.35 [.211] |
| 6.2 [.244] | 16.0 [.630] | 1.5 [.059] | 1 | 5.35 [.211] |
| | 16.0 [.630] | 1.3 [.051] | 1 | 5.35 [.211] |
| 6.4 [.252] | 16.0 [.630] | 1.1 [.043] | 1 | 5.35 [.211] |
| | 16.0 [.630] | 0.9 [.035] | 1 | 5.35 [.211] |
| 6.6 [.260] | 16.0 [.630] | 0.7 [.027] | 1 | 5.35 [.211] |
| | 16.0 [.630] | 0.7 [.027] | 1 | 5.35 [.211] |

One Piece Shrouds

Type A, B, C, D, E or F Shrouds

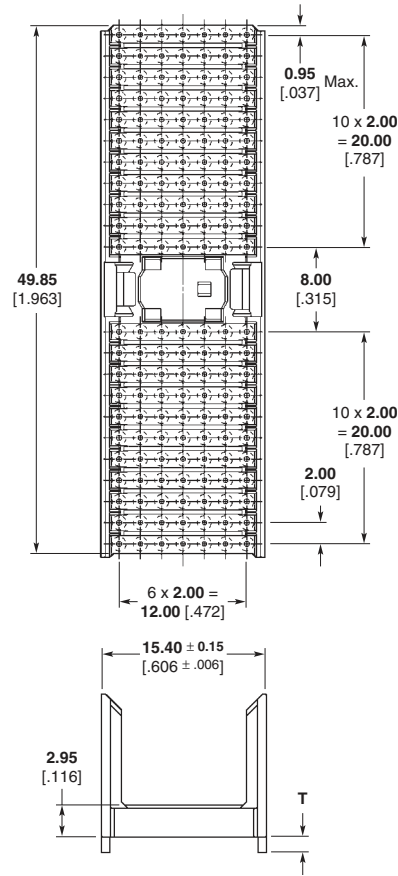
One piece shrouds can be used with several backplane thicknesses to provide required pin mating levels (see chart for options available). The single piece design also provides a reduced part count, lower applied cost solution.



Type AB Shrouds

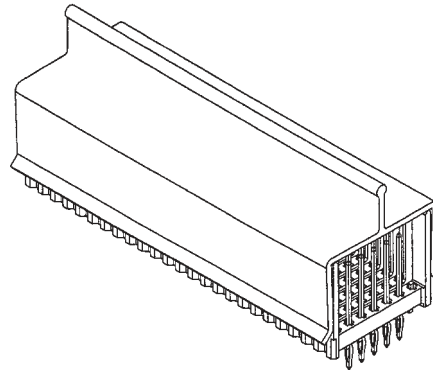
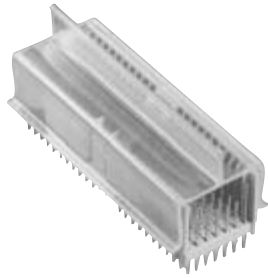
Type AB shrouds require male feed thru connectors with short tail or vacant ground pin positions in the guide feature locations.

Type B 5 row



| Shroud Type T | 0 [.000] | .9 [.035] | 1.1 [.043] | 1.3 [.051] | 1.5 [.059] | 1.7 [.067] | 1.9 [.075] | 2.1 [.080] |
|------------------|----------|-----------|------------|------------|------------|------------|------------|------------|
| A | 646478-1 | 646478-2 | 646478-3 | 646478-4 | 646478-5 | 646478-6 | 646478-7 | — |
| B | 646479-1 | 646479-2 | 646479-3 | 646479-4 | 646479-5 | 646479-6 | 646479-7 | — |
| C | 646480-1 | 646480-2 | 646480-3 | 646480-4 | 646480-5 | 646480-6 | 646480-7 | — |
| B (19) | 646481-1 | 646481-2 | 646481-3 | 646481-4 | 646481-5 | 646481-6 | 646481-7 | — |
| B (22) | 646482-1 | 646482-2 | 646482-3 | 646482-4 | 646482-5 | 646482-6 | 646482-7 | — |
| AB (19) | 646483-1 | 646483-2 | 646483-3 | 646483-4 | 646483-5 | 646483-6 | 646483-7 | — |
| AB (22) | 646484-1 | 646484-2 | 646484-3 | 646484-4 | 646484-5 | 646484-6 | 646484-7 | — |
| AB (25) | 646576-1 | 646576-2 | 646576-3 | 646576-4 | 646576-5 | 646576-6 | 646576-7 | — |
| D | 646476-1 | 646476-2 | 646476-3 | 646476-4 | 646476-5 | 646476-6 | 646476-7 | — |
| E | 646477-1 | 646477-2 | 646477-3 | 646477-4 | 646477-5 | 646477-6 | 646477-7 | — |
| F | 646525-1 | 646525-2 | 646525-3 | 646525-4 | 646525-5 | 646525-6 | 646525-7 | — |
| DE | 646726-1 | 646726-2 | 646726-3 | 646726-4 | 646726-5 | 646726-6 | 646726-7 | 646726-8 |

Male Pin Protection Covers

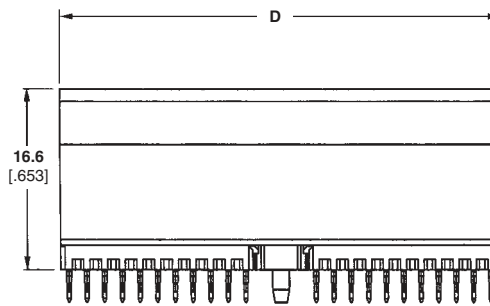
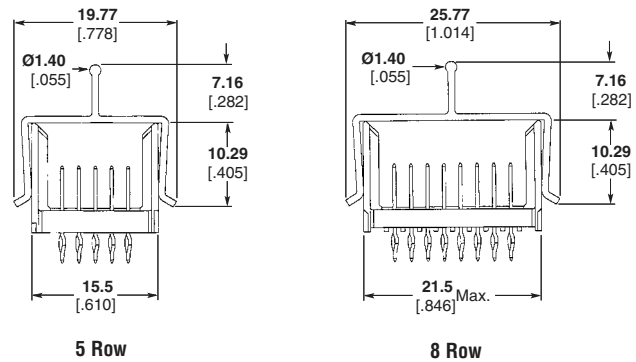


New male pin protection covers are now available for all vertical male and right angle male connectors. These covers prevent the exposed pin fields from being damaged (e.g. bent, broken), until the connector is mated. The covers easily slide over the outside housing of the connector and can easily be removed. No tooling is necessary. Sizes are available for 5/5+2 and 8/8+2 row male connectors (Types A-F).

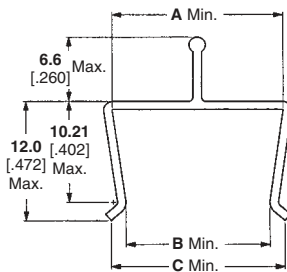
Material

Polycarbonate, color—clear

Used with male connectors.



Cover shown on A & D module for reference only.



| Type | Dimensions | | | | Part Number |
|------|---------------|---------------|---------------|----------------|-------------|
| | A | B | C | D | |
| A,B | 15.75 .620 | 13.28 .523 | 17.27 .679 | 49.23 1.938 | 646502-1 |
| C | 15.75 .620 | 13.28 .523 | 17.27 .679 | 23.97 .943 | 646502-3 |
| D,E | 21.74 .855 | 19.28 .759 | 23.27 .916 | 49.23 1.938 | 646502-2 |
| F | 21.74 .855 | 19.28 .759 | 23.27 .916 | 23.97 .943 | 646502-4 |

Types L, M and N Backplane Connectors with DIN Cavities

DIN Contacts

DIN contacts can be fitted to types L, M and N male and female housings. These housings have 3 or 6 4.8 [.189] diameter cavities for high current, coaxial or fiber optic contacts conforming to DIN 41626.

Male housings are press fit polarized to backplanes.

Contacts for these housings are shown on pages 38 and 39.

Standard Type M housings have option A contacts loaded in columns a to e, with option C used in rows z and f of 5+2 row versions. Feedthrough pins are option K. Other arrangements can be provided; refer to page 47 for other contact patterns. Variations not listed should be specified using the pin specifications on page 66 and chart on page 71.

Performance Data pages 6-7, also refer to DIN specifications.

Materials and Finish

Glass filled polyester housing.

Phosphor-bronze signal contacts

Contact area 0.8µm [.000030] Au over 1.3µm [.000050] Ni

ACTION PIN Contact 0.5µm [.000020]

Sn/Pb over 1.3µm [.000050] Ni

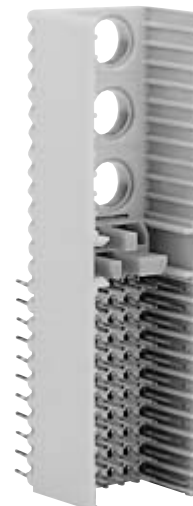
Coding Keys for type L & M, page 47.

Board layout page 71 for guidance only.

Special Version of type L is available for vertical press fit coax contacts



Type L
6 DIN Cavities



Type M
55 Signal Contacts and 3 DIN Cavities



Type N
3 DIN Cavities



Type L, M, N connectors with DIN contact cavities for high current, coaxial and fiber optic connections

Plastic modules provide press-fit-polarized assembly on backplanes. Cavities allow connectors to be loaded in any position with high current, coaxial or fiber optic contacts as per DIN 41626.

Illustration shows Type L connector, top to bottom:

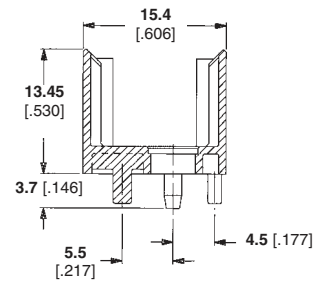
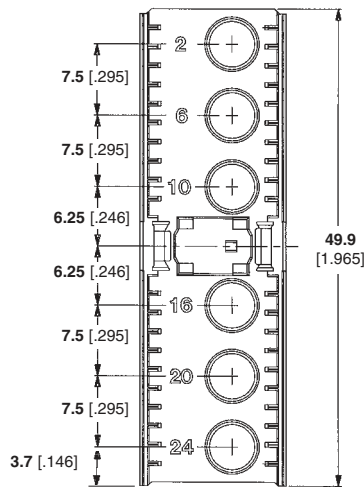
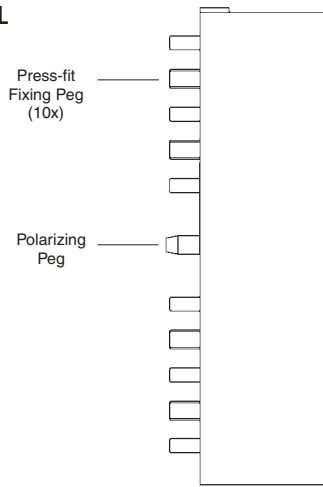
- High current cable contact (2x). Also available for backplane soldered connection. First make-last break versions can be provided for high current contacts.
- Fiber optic plug for cable-to-cable connection (2x).
- Coaxial cable contact (2x).

| Description | Part Numbers | |
|---------------------------|---------------|--------------|
| | Cable & Panel | Flush Board* |
| Type L | 100745-1 | 646704-1* |
| Type M 5 row short tail | 100749-1 | 646709-1* |
| Type M 5+2 row short tail | 352049-1 | 646730-1* |
| Type M 5 row feed through | 106326-1 | 646886-1* |
| Type N | 100751-1 | 646703-1* |
| Type N Right Angle | — | 646858-1* |

*All connectors accept cable or board mount contacts.

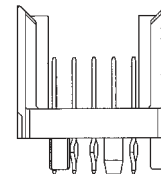
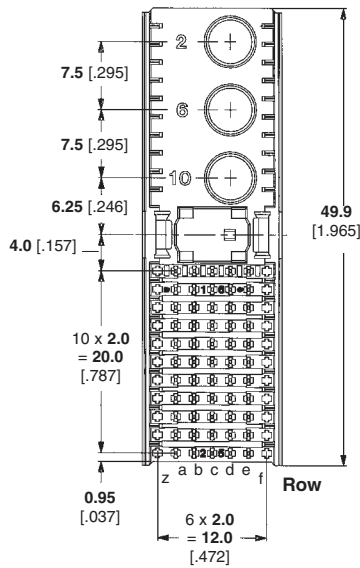
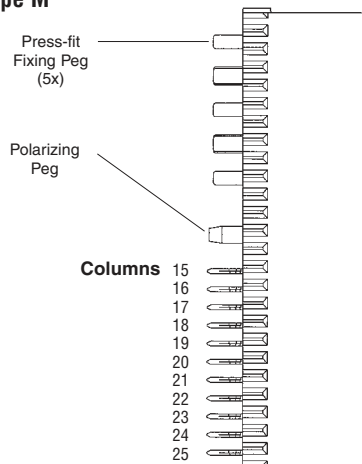
Types L, M and N Backplane Connectors with DIN Cavities (Continued)

Type L

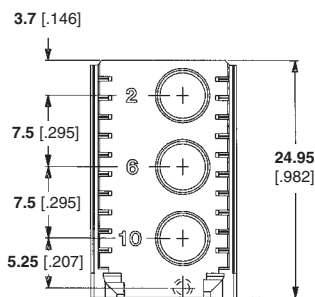
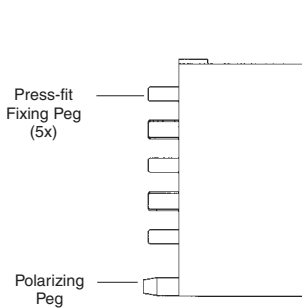


Section of All DIN Cavities

Type M



Type N



Types L, M and N Daughterboard Connectors with DIN Cavities

DIN Contacts

DIN contacts can be fitted to types L, M and N male and female housings. These housings have 3 or 6 4.8 [1.89] diameter cavities for high current, coaxial or fiber optic contacts conforming to DIN 41626.

Female housings are press fit to the daughtercards.

Contacts for these housings are shown on pages 38 and 39.

Performance Data pages 6-7, also refer to DIN specifications.

Materials and Finish

Glass filled polyester housing, gray, UL94 V-0 rated.

Phosphor-bronze signal contacts

Contact area 0.8µm [.000030] Au over 1.3µm [.000050] Ni

ACTION PIN Contact 0.5µm [.000020] Sn/Pb over 1.3µm [.000050] Ni

Coding Keys for type L & M, page 47.

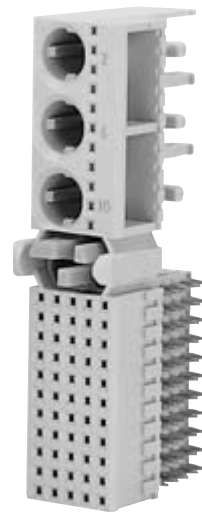
Board layout page 71 for guidance only.

Note:

Housings should be reamed to accept Tyco Electronics tool pn 434779-1 to ream the cavities. Fiber Optic Contacts are available from specialist manufacturers.



Type L
6 DIN Cavities



Type M
55 Signal Contacts and 3 DIN Cavities



Guiding & Polarizing Lugs

Type N
3 DIN Cavities



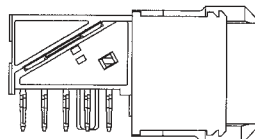
Type L, M, N Connectors with DIN contact cavities for high current, coaxial and fiber optic connections

Plastic modules provide press-fit, polarized assembly onto free boards. Cavities accept high current, coaxial or fiber optic contacts as per DIN 41626.

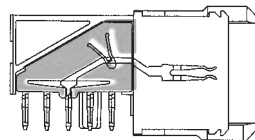
Illustration left, shows Type L connector, top to bottom:

- high current contact, to-board
- high current contact, to-cable
- fiber optic contact
- fiber optic contact
- coaxial contact, to-cable
- coaxial contact, to-board

Standard Version



Reduced Crosstalk Version

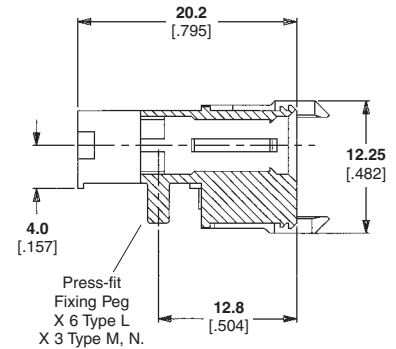
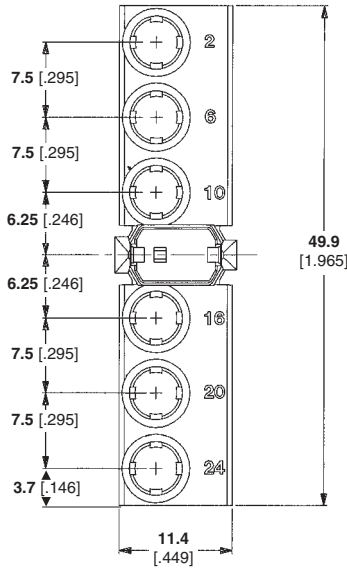
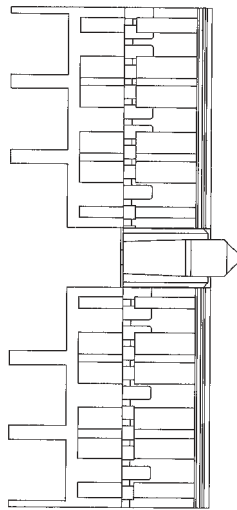


e d c b a
Row C to Ground

| Description | Cable & Panel Part Numbers |
|---|----------------------------|
| Type L | 100746-1 |
| Type M | 100750-1 |
| Type M Reduced Crosstalk | 188215-1 |
| Type M with upper Ground Return Shield fitted | 352177-1 |
| Type M Reduced Crosstalk with Upper Shield | 352380-1 |
| Type M lower Ground Return Shield | 352112-2 |
| Type N | 100752-1 |

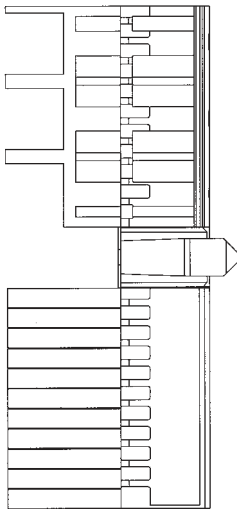
Types L, M and N Daughterboard Connectors with DIN Cavities (Continued)

Type L



Section of All DIN Cavities.

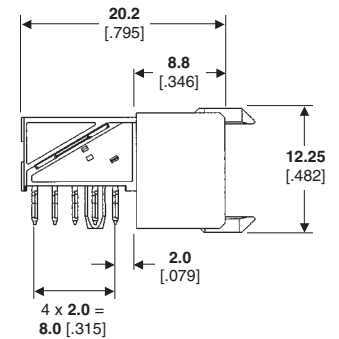
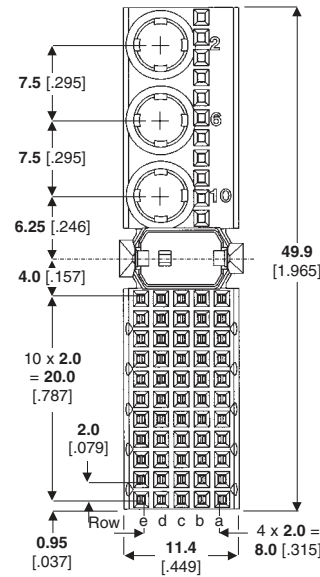
Type M



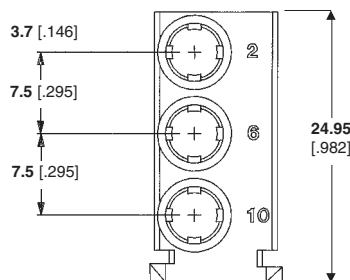
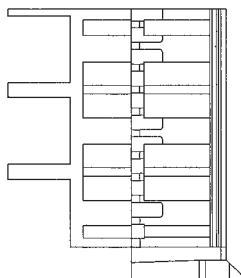
Columns

- 15
- 16
- 17
- 18
- 19
- 20
- 21
- 22
- 23
- 24
- 25

Signal Contacts



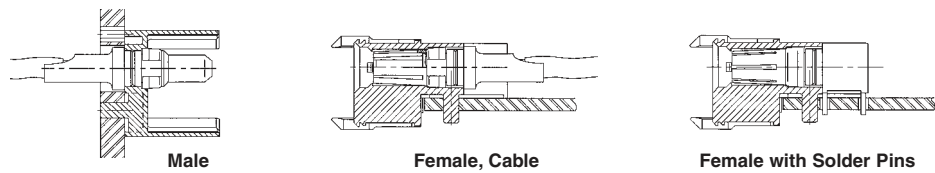
Type N



High Current Contacts for Type L, M and N Connectors

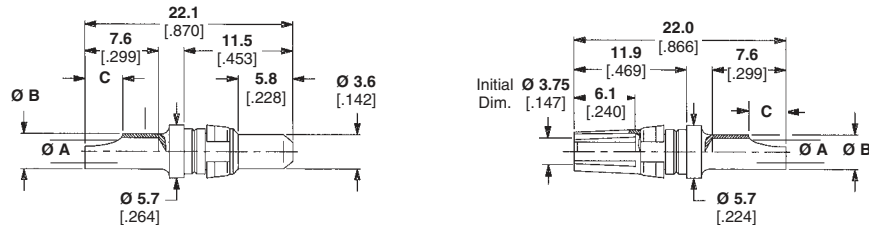
Contacts in accordance with DIN 41626, for Ø4.8 [.189] Cavities

For Type L, M and N modules, available for cable and solder terminations. Contact Tyco Electronics for press fit versions.



Pin and Socket Contacts for Cable Termination

Solder versions shown.



| Current Rating | Solder Part Numbers | | Solder Dimensions | | | Crimp Part Numbers | | Crimp Dimensions | |
|----------------|---------------------|-------------|-------------------|--------------|--------------|--------------------|----------|------------------|---------------|
| | Pin | Socket | A | B | C | Pin | Socket | A | B |
| 40A | 1393589-1 | 1393589-7 | 4.7 [.185] | 5.7 [.224] | 5.0 [.197] | 148430-1 | 148432-1 | .181 [.007] | .230 [.009] |
| 30A | — | — | — | — | — | 148406-1 | 148357-1 | .136 [.005] | .185 [.007] |
| 20A | 1393589-3 | 1393589-9 | 2.7 [.106] | 3.8 [.150] | 4.0 [.157] | 148248-1 | 148221-1 | 2.54 [.100] | 3.8 [.149] |
| 10A | 1393589-5 | 1-1393589-1 | 1.6 [.063] | 2.7 [.106] | 3.0 [.118] | 148407-1 | 148410-1 | .067 [.003] | .102 [.004] |

Board-to-Board Mounting

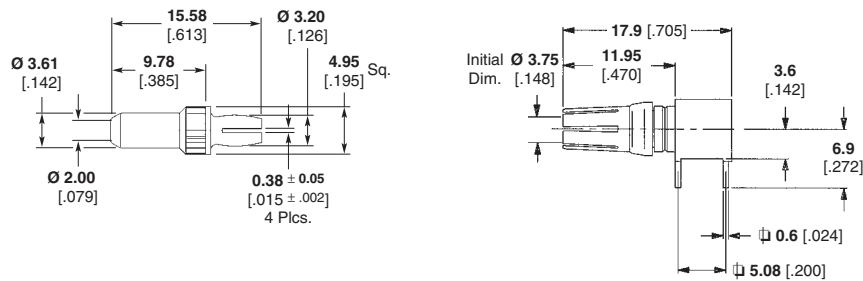
Pin Contact

Part Number **148546-1**

Socket Contact

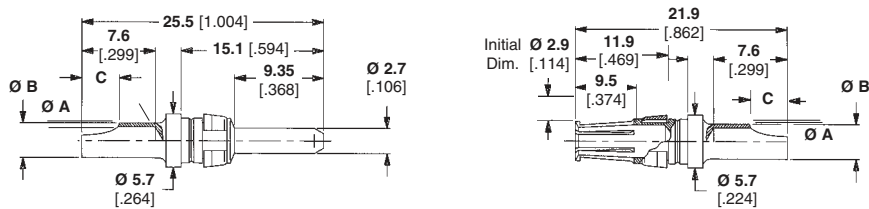
Part Number **148513-2**

Current Rating — up to 25A dependent on copper thickness or wire cross section.



First Make/Last Break Pin and Socket Contacts for Cable Termination

Solder versions shown.



| Current Rating | Solder Part Numbers | | Solder Dimensions | | | Crimp Part Numbers | | Crimp Dimensions | |
|----------------|---------------------|-------------|-------------------|--------------|--------------|--------------------|----------|------------------|---------------|
| | Pin | Socket | A | B | C | Pin | Socket | A | B |
| 40A | 100072-1 | 100084-1 | 4.7 [.185] | 5.7 [.224] | 5.0 [.197] | 148431-1 | 148433-1 | .181 [.007] | .230 [.009] |
| 30A | — | — | — | — | — | 148408-1 | 148358-1 | .136 [.005] | .185 [.007] |
| 20A | 100073-1 | 100085-1 | 2.7 [.106] | 3.8 [.150] | 4.0 [.157] | 148249-1 | 148250-1 | 2.54 [.100] | 3.8 [.149] |
| 10A | 3-1393589-5 | 1-1393589-4 | 1.6 [.063] | 2.7 [.106] | 3.0 [.118] | 148409-1 | 148410-1 | .067 [.002] | .102 [.004] |

First Make/Last Break Pin and Socket Contacts for Board-to-Board Mounting

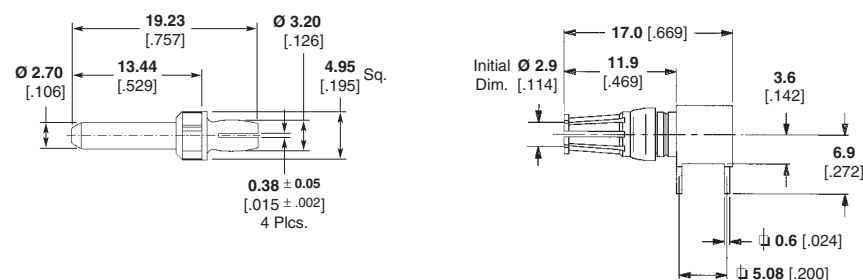
Pin Contact

Part Number **148547-1**

Socket Contact

Part Number **2-1393589-7**

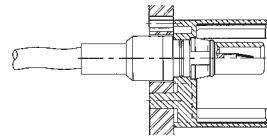
Current Rating — up to 25A dependent on copper thickness or wire cross section.



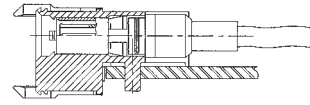
Coaxial Contacts for Type L, M and N Connectors

Contacts in accordance with DIN 41626 for Ø4.8 [.189] Cavities

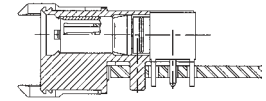
For Type L, M and N modules, available for cable and solder terminations.



Jack Contact



Plug Contact



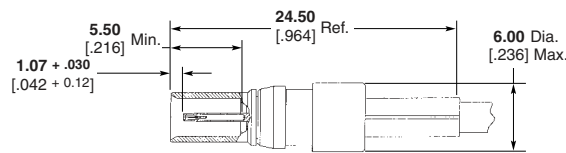
Plug Contact with Solder Pins

Type C Coax, Standard DIN Contacts

DIN 41626 Socket Contacts

Crimp, Straight Cable Mount, RG179

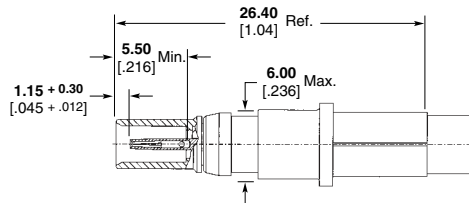
75 Ohm Eurocard or 2mm HM



Part Number 148254-1

Crimp, Straight Cable Mount, RG142

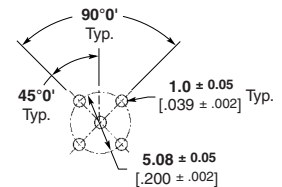
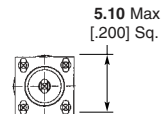
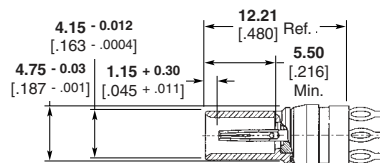
50 Ohm Eurocard or 2mm HM



Part Number 148338-4

Vertical PC Board Mount, Compliant

50 Ohm 2mm HM



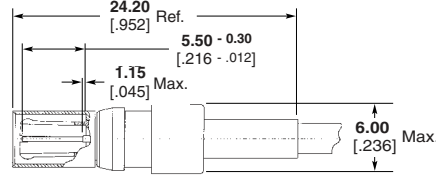
Part Number 148385-1
Recommended PC Board Layout

Type C Coax, Standard DIN Contacts (Continued)

DIN 41626 Pin Contacts

Crimp, Straight Cable Mount, RG179

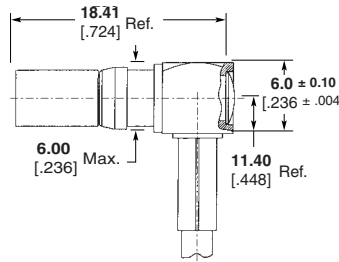
75 Ohm Eurocard or 2mm HM



Part Number 148253-1

Right Angle Cable Mount, RG316

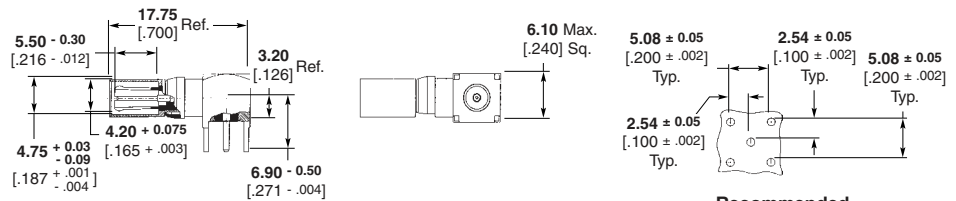
50 Ohm Eurocard or 2mm HM



Part Number 148342-1

Right Angle PC Board Mount, Solder

50 Ohm 2mm HM

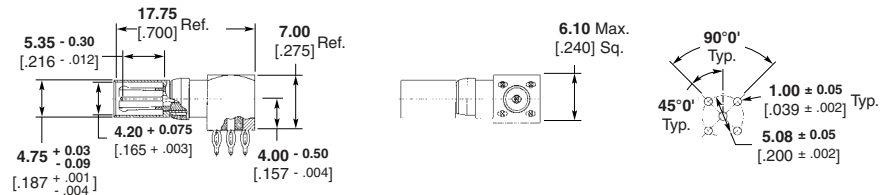


Part Number 1-1393662-2

Recommended PC Board Layout

Right Angle PC Board Mount, Compliant

50 Ohm 2mm HM



Part Number 148386-1

Recommended PC Board Layout

Type L-MSC, M-MSC & M-MSC-rev Male Connector, for MSC Fiber Optic Plugs and Signal Contacts

AMP Mini-SC (MSC) Housings

MSC fiber optic system provides increased density compared with DIN fiber optic contacts. Contacts float within the housing and are self aligning, and apply no force to the backplane. These housings mate with those shown on page 43.

MSC series housings provide 4 or 8 cavities for these connectors. M-MSC and M-MSC reverse have 55 signal contacts and 4 fiber optic cavities; L-MSC have 8 fiber optic cavities.

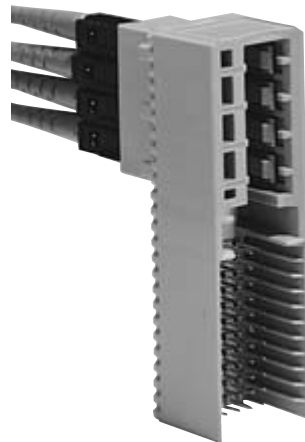
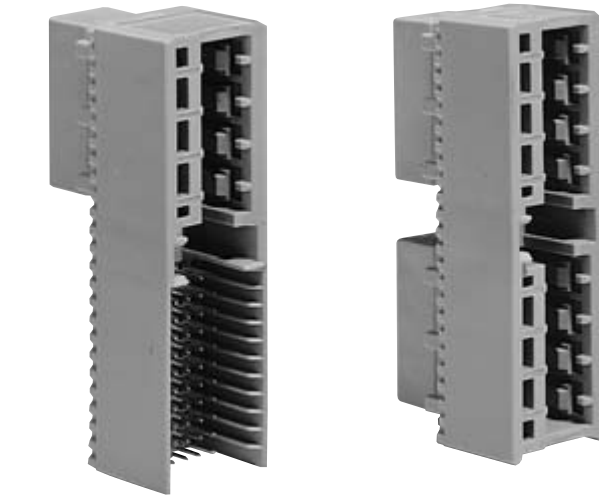
Housings are press fitted to boards before installing fiber contacts.

Male connectors have sleeves fitted to the cavities which align the contacts, but they can be omitted from any cavity for economy. Retro fitting is possible.

Standard versions have alignment sleeves fitted to all MSC cavities.

M-MSC and M-MSC rev have 55 option A signal contacts.

Other signal contact arrangements are possible, see page 47 for available versions. Use the chart on page 67 if your needs cannot be met from these.



Type M-MSC, M-MSC-rev and L-MSC, 50mm Modules for AMP MSC Miniature Fiber Optic Plugs

These modules provide 4 and 8 cavities for AMP MSC fiber optic plugs, bringing increased density of connections, also zero force on backplane when fully mated.

Type M-MSC, illustrated, and M-MSC-rev have 4 cavities for MSC fiber optic plugs, with 55 signal contact positions. Type L-MSC, has 8 cavities.

All Types have polarized guide lugs; coding keys cannot be used.

Performance Data pages 6-7.

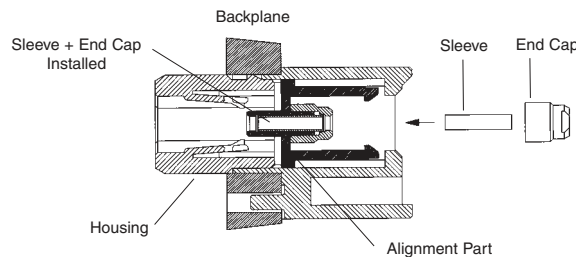
Materials and Finish

Glass filled polyester housing, gray, UL94 V-0 rated.

Phosphor-bronze signal contacts
Contact area 0.8µm [.000030] Au over 1.3µm [.000050] Ni ACTION PIN
Contact 0.5µm [.000020] Sn/Pb over 1.3µm [.000050] Ni.

MSC Cable Plug, see page 45.

Board layout page 72 for guidance only.



Sleeve Part Number 106854-1
End Cap Part Number 106855-1

Z-PACK MSC Typical Optical Performance

| Parameter | Singlemode | Multimode |
|------------------------|-------------------------------|------------|
| Insertion Loss | <0.5 dB | <0.3 dB |
| Random Mated Pair Loss | <1.0 dB | <0.7 dB |
| Tuned Mated Pair Loss | <0.6 dB | <0.7 dB |
| Mated Return Loss | >65dB (APC) | >35dB (PC) |
| Operating Temp. | -20/+70° Celsius [-68/+158°F] | Same |
| Cable Pull Force | >70N 2.0mm cable | Same |
| Mechanical Endurance | 500 Mating/dematings | Same |

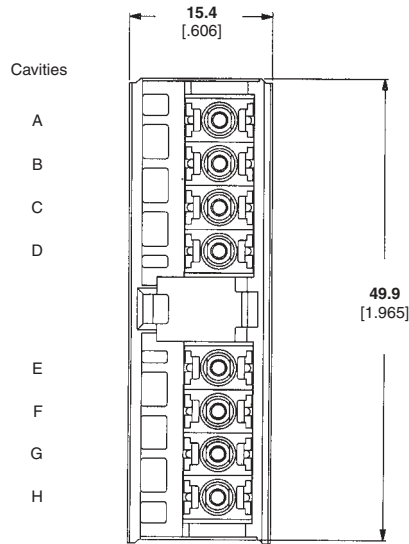
Assembly on backplane showing location of sleeve, for aligning MSC fiber optic plug ferrules, and end cap.

Sleeves and end caps are available for retrofitting to housing cavities.

| Part Numbers | |
|----------------|----------|
| Standard | |
| Type L-MSC | 106743-1 |
| Type M-MSC | 106745-1 |
| Type M-MSC rev | 106747-1 |

Type L-MSC, M-MSC & M-MSC-rev Male Connector, for MSC Fiber Optic Plugs and Signal Contacts (Continued)

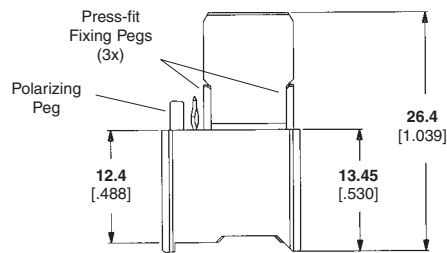
Type L-MSC



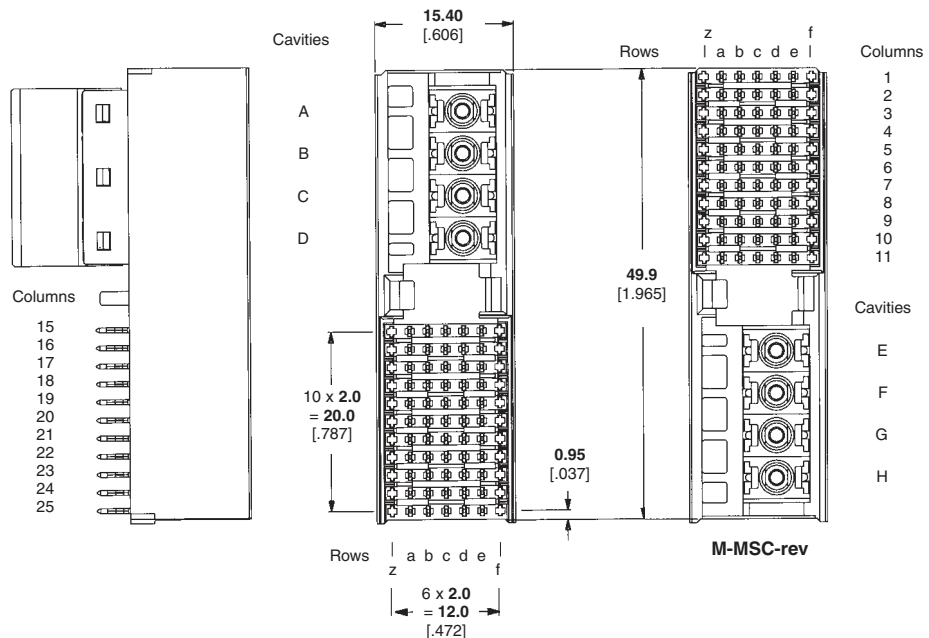
Type M-MSC

Type M-MSC-rev

Same as M-MSC, with signal contacts in columns 1 ... 11 as shown below.



End View of Type M-MSC



M-MSC-rev

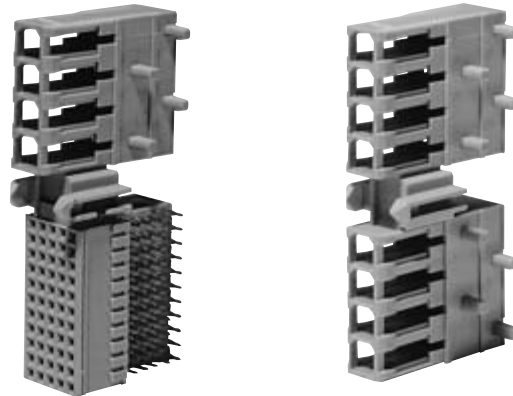
Type L-MSC, M-MSC & M-MSC-rev Female Connector, for MSC Fiber Optic Plugs and Signal Contacts

AMP MSC Housings

MSC fiber optic system provides increased density compared with DIN fiber optic contacts. Contacts float within the housing and are self aligning, and apply no force to the backplane. These housings mate with those shown on page 41.

MSC series housings provide 4 or 8 cavities for these connectors. M-MSC and M-MSC reverse have 55 receptacle contacts and 4 fiber optic cavities; L-MSC have 8 fiber optic cavities. Housings are press fitted to boards before installing fiber contacts.

Limited other receptacle contact arrangements are possible, see page 47 for available versions. Use the chart on page 67 if your needs cannot be met from these.



Performance Data pages 6-7.

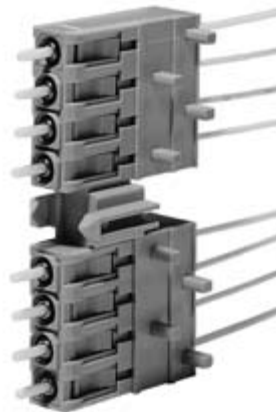
Materials and Finish

Glass filled polyester housing, gray, UL94 V-0 rated.

Phosphor-bronze signal contacts
 Contact area 0.8µm [.000030] Au over 1.3µm [.000050] Ni ACTION PIN
 Contact 0.5µm [.000020] Sn/Pb over 1.3µm [.000050] Ni

MSC Board Plug, see page 46.

Board layout page 72 for guidance only.



Type M-MSC, M-MSC-rev and L-MSC, 50mm Modules for AMP MSC Miniature Fiber Optic Plugs

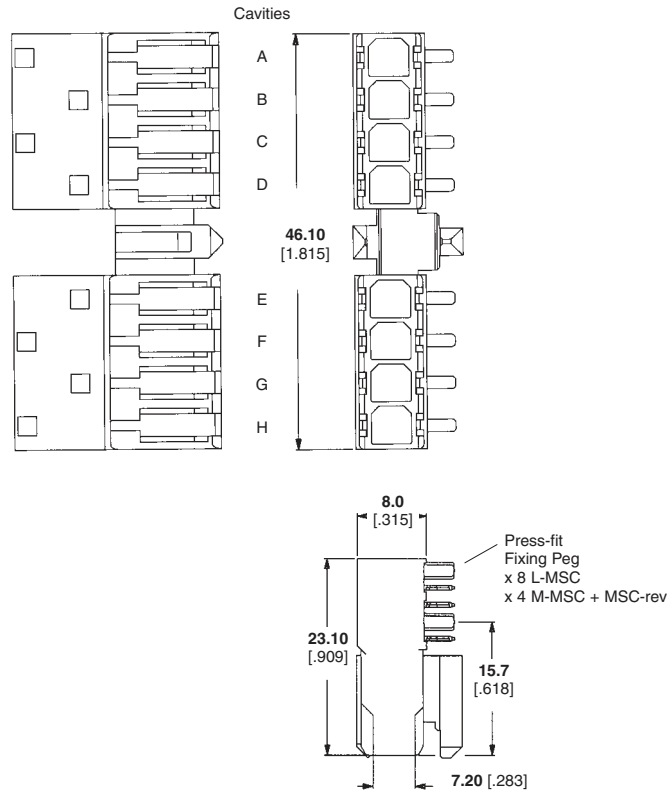
These modules provide 4 and 8 cavities for AMP MSC fiber optic plugs, bringing increased density of connections, also zero force on backplane when fully mated. Type M-MSC and M-MSC-rev have 4 cavities for MSC fiber optic plugs, with 55 signal contact positions. Type L-MSC, illustrated, has 8 cavities. All Types have polarized guide lugs; coding keys cannot be used.

| Part Numbers | |
|--------------------|----------|
| Standard | |
| Type L-MSC | 106744-1 |
| Type M-MSC | 106746-1 |
| Type M-MSC reverse | 106748-1 |

For Reduced Crosstalk, Consult Tyco Electronics

Type L-MSC, M-MSC & M-MSC-rev Female Connector, for MSC Fiber Optic Plugs and Signal Contacts (Continued)

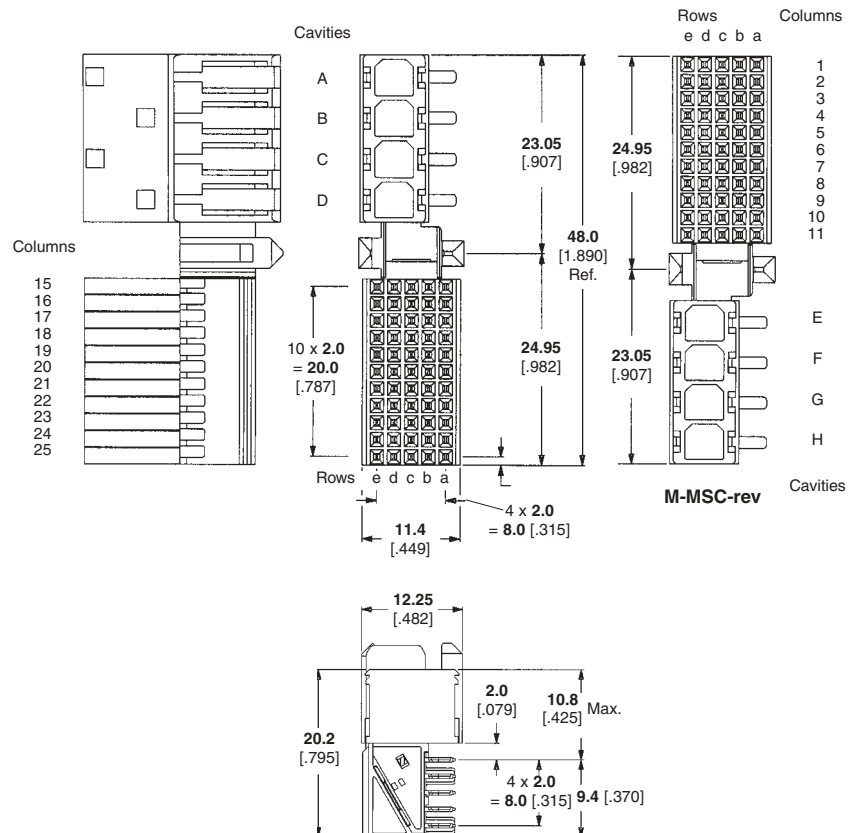
Type L-MSC



Type M-MSC

Type M-MSC-rev

Same as M-MSC, with signal contacts in columns 1 ... 11 as shown below.



Fiber Optic Contacts for MSC Cavities

Miniaturized Plugs for Type M-MSC, M-MSC-rev and L-MSC Connectors

Developed for the Z-PACK 2mm HM System, these fiber optic plugs are now offered as an industry standard. AMP MSC plugs provide single or multi-mode performance comparable with standard Ø4.8 [.189] contacts.

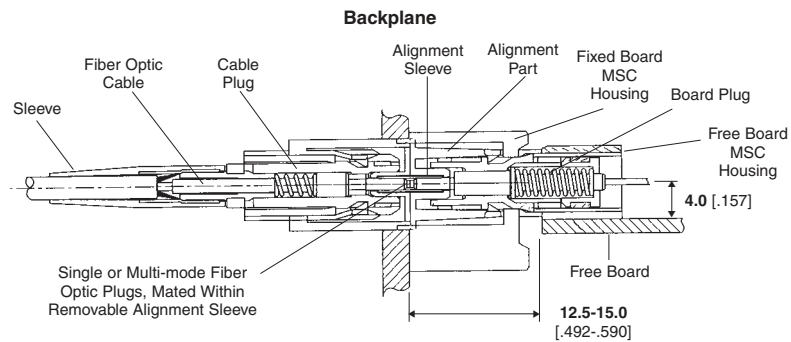
System Benefits

AMP MSC fiber optic plugs provide important advantages for systems incorporating opto-electronic circuitry. Principal benefits are:

- Increased fiber optic circuit density; 4.7 [.185] pitch gives 1 extra line per 25 [.984] module length, compared with DIN 41626 contacts.
- Zero force on backplane when connector is fully mated.
- Standard, constant fiber optic plug mating force during full 2.5 [.098] float.
- Full 2 [.079] misalignment capture during mating.
- Full 2.5 [.098] tolerance on insertion depth.
- PC or APC end face finish for single mode.
- Factory prepared plugs with fiber optic cable lengths as required.
- Economy; unused connector cavities can be easily retrofitted with alignment sleeves.
- M-MSC, M-MSC-rev and L-MSC connectors can be stacked in columns with other types.

Performance Specification

Attenuation, (method 7)
 Single mode typ. 0.25db
 Multimode typ. 0.3db
 Repeatability 0.2db
 Return loss, PC ≥40db
 APC mated ≥60db
 Operating temperature -20°C
 +70°C
 Strain relief, cable 70N
 Design according to IEC 874-1 and/or CECC 86000.
 Environmental category 20/70/21.
 Protective cover for fiber optic contacts Part Number 233212-1.



Fully mated connector

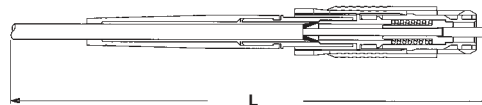
When cable and board plugs are inserted into their respective housings, flexible molded-in latches ensure firm retention. The fiber optic plugs with prepared ferrules are spring loaded.

Mating. Engagement of the free board MSC connector with the fixed board MSC connector, opens the alignment part which closes when the fiber optic ferrule is within the alignment sleeve. Further forward movement brings the mated ferrules under constant pressure from their respective springs.

During engagement, a sequence of latches on the fixed board housing and plug allows the board plugs to 'float' within the fully mated connector, so removing the contact force from the backplane.

Withdrawal of individual boards causes the latching sequence to reverse. Plugs can be individually removed from mated housings.

MSC Cable Plug, for backplane housing



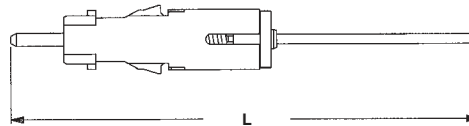
Complete Assembly on SM* fiber optic LDS (Light Duty Single) cable to length specified by customer

| Mode | Ferrule Finish | Fiber Size | Cable Type | Cable Ø | Part Number | Cable Length L |
|--------|----------------|------------|-------------|------------|-------------|----------------|
| Single | PC | — | Single Lead | 2.0 [.079] | 106781-1 | 1.0m [39.37"] |
| Single | PC | — | Pigtail | 2.0 [.079] | 106749-1 | 1.0m [39.37"] |
| Single | APC | — | Single Lead | 2.0 [.079] | 106888-1 | 1.0m [39.37"] |
| Single | APC | — | Pigtail | 2.0 [.079] | 106750-1 | 1.0m [39.37"] |
| Multi | — | 50/125 | Single Lead | 2.0 [.079] | 1206073-1 | 1.0m [39.37"] |
| Multi | — | 50/125 | Pigtail | 2.0 [.079] | 1206074-1 | 1.0m [39.37"] |
| Multi | — | 62.5/125 | Single Lead | 2.0 [.079] | 1206075-1 | 1.0m [39.37"] |
| Multi | — | 62.5/125 | Pigtail | 2.0 [.079] | 1206076-1 | 1.0m [39.37"] |

For other lengths, consult Tyco Electronics.

For completion of free cable end with any Tyco Electronics fiber optic contact, consult Tyco Electronics.

Fiber Optic Contacts for MSC Cavities (Continued)



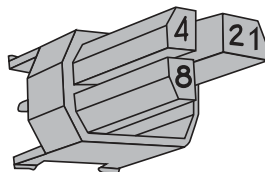
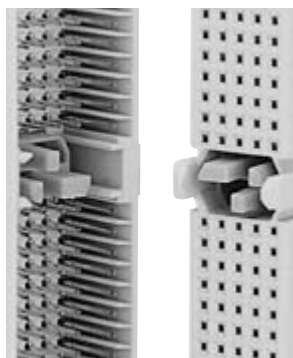
Complete Assembly, on SM* buffered fiber optic cable, Standard length 1m [39.37"]

| Mode | Ferrule Finish | Fiber Size | Cable Type | Cable Ø | Part Number | Cable Length L |
|--------|----------------|------------|------------|------------|-------------|----------------|
| Single | PC | — | Pigtail | 0.9 [.035] | 106751-1 | 1.0m [39.37"] |
| Single | APC | — | Pigtail | 0.9 [.035] | 106752-1 | 1.0m [39.37"] |
| Multi | — | 50/125 | Pigtail | 0.9 [.035] | 1206077-1 | 1.0m [39.37"] |
| Multi | — | 62.5/125 | Pigtail | 0.9 [.035] | 1206078-1 | 1.0m [39.37"] |

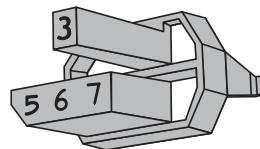
For other lengths, consult Tyco Electronics.

For completion of free cable end with any Tyco Electronics fiber optic contact, consult Tyco Electronics.

Coding Keys and Contact Loading Variants



Key for Male Connectors



Key for Female Connectors

Coding key sets with combinations of matching colors and complementary numbering

Used in Type A, D, L and M male and female connectors and shrouds.

Male and female keys are polarized for male and female housing multi-purpose centers; unambiguous keying is by combination of color and code numbered posts.

Keys are inserted from the mating faces of male and female housings, retained by foot clips snap-fitting into housing slots. Removal from the front is possible whenever required.

Material

Glassfilled Polyimide 6.6.

Key Insertion Tool

Part Number **352999-1**

| Color | RAL ¹ Number | For Male Connector | | For Female Connector | |
|------------------|-------------------------|--------------------|--------------|----------------------|--------------|
| | | Code No. | Key Part No. | Code No. | Key Part No. |
| Nut brown | 8011 | 1236 | 100525-3 | 4578 | 100526-3 |
| † Strawberry red | 3018 | 1248 | 100525-9 | 3567 | 100526-9 |
| Blue lilac | 4005 | 1356 | 2-100525-0 | 2478 | 2-100526-0 |
| • Brilliant blue | 5007 | 1567 | 3-100525-2 | 2348 | 3-100526-2 |
| Reseda green | 6011 | 2578 | 5-100525-4 | 1346 | 5-100526-4 |
| * Cadmium yellow | 1021 | 3456 | 5-100525-6 | 1278 | 5-100526-6 |
| Slate gray | 7015 | 3467 | 5-100525-9 | 1258 | 5-100526-9 |
| Steel blue | 5011 | 3478 | 6-100525-1 | 1256 | 6-100526-1 |
| Pastel orange | 2003 | 3568 | 6-100525-3 | 1247 | 6-100526-3 |
| Ochre yellow | 1024 | 4678 | 6-100525-9 | 1235 | 6-100526-9 |

¹ RAL is a Trademark of the Central Organization for product assurance in Germany.

Note: The color/code no. combinations, listed above, follow IEC 61076-4-101 recommendations. Other versions are available, see drawings.

• For CompactPC1 5.0V

* For CompactPC1 3.3V

† For CompactPCI Telephony
Rating: UL94 HB

Contact Loading Variants

For contact loading variants of Z-PACK 2mm HM connectors, refer to the appropriate instruction sheet shown here. These sheets can be obtained from Tyco Electronics and allow you to select an existing contact loading to suit your requirements. Should a suitable loading not be available, special loading patterns can be specified using the chart on page 67.

Instruction Sheet Numbers

| Description | 5 Row | 5+2 Row | 5 row feedthrough | 5+2 feedthrough | 8 and 8+2 row |
|-------------------------------|-----------|-----------|-------------------|-----------------|--------------------------|
| Type A Male | 411-19410 | 411-19412 | 411-19411 | 411-19413 | Consult Tyco Electronics |
| Type B Male | 411-19414 | 411-19416 | 411-19415 | 411-19417 | |
| Type C Male | 411-19418 | 411-19420 | 411-19419 | 411-19421 | |
| Type B 22 Column Male | | | | 411-19425 | |
| Type B 19 Column Male | | | | 411-19426 | |
| Type M Male | | | | 411-19422 | |
| Type M-MSD and Rev Male | | | | 411-19423 | |
| Right Angle Male, all types | | | | 411-19428 | |
| Right Angle Female, all types | | | | 411-19429 | |

CompactPCI and VME 64

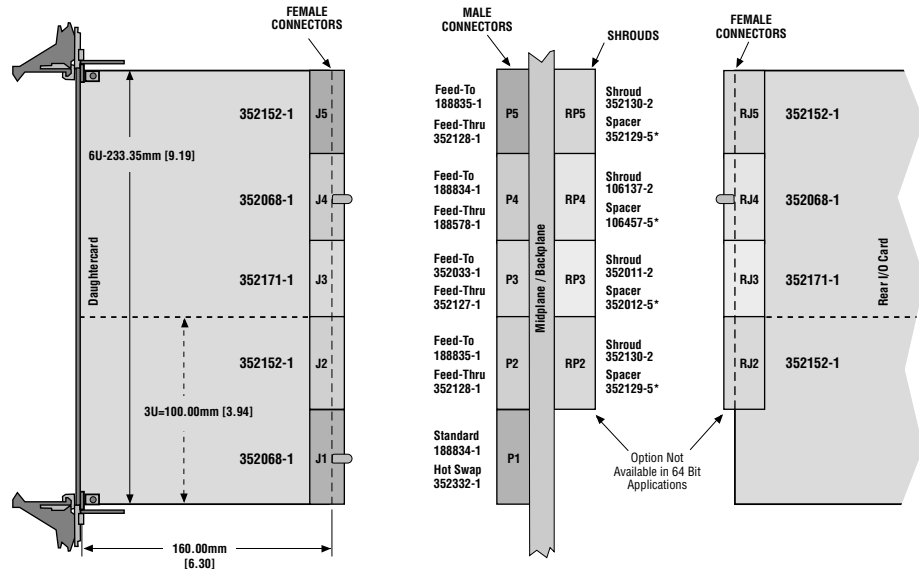
CompactPCI and VME 64 Extensions

AMP Z-PACK 2mm HM shielded connectors have been chosen for the interconnection of both CompactPCI and VME 64 Extensions because of high density, sequencing levels and profile compatibility with IEC Eurocard connectors. CompactPCI 32 bit and 64 bit on 3U cards (P1-2/J1-2) and on 6U cards (P1-5/J1-5) use standard and special length connectors, with one of these also being used between the two Eurocard connectors J1/P1 and J2/P2 on VME 64 Extensions.

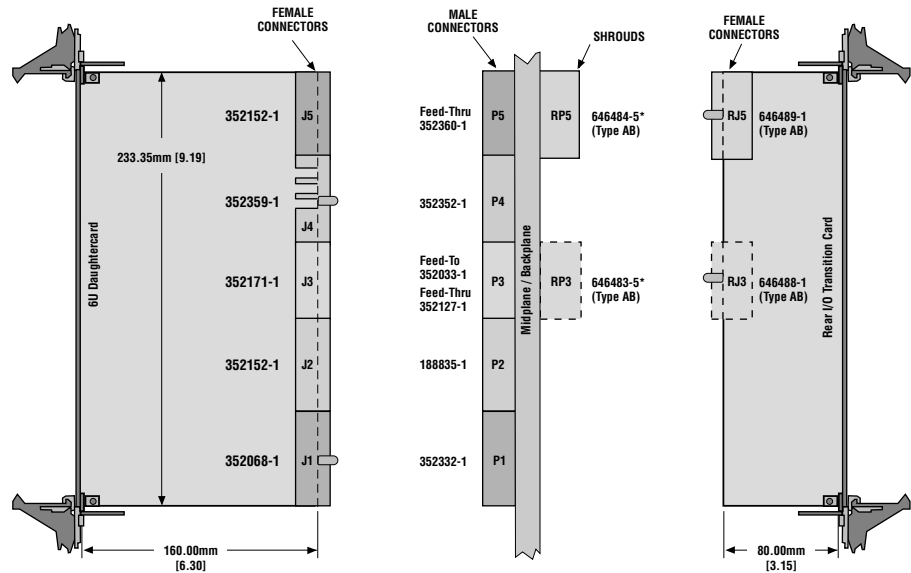
Backplane and daughter-card connectors for single side or midplane applications are listed, the latter using corresponding one piece shrouds or separate spacers and shrouds for the backplane rear. Standard AMP HM cable connectors can be used with appropriate shrouds.

Vertical receptacles allow the use of mezzanine cards to extend or increase card application flexibility.

Standard and Hot Swap



Computer Telephony

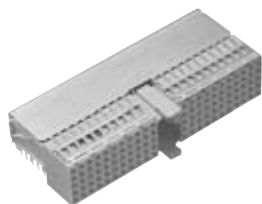


| VME 64 Extension Components | Part Numbers |
|--|--------------|
| Backplane Connectors (P0 & P3) | |
| 19 column type B header | 352033-1 |
| 19 column type B header, midplane | 352127-1 |
| ZIF Shroud for above | 352011-2 |
| Spacer for ZIF Shroud above | 352012-x |
| One Piece Shroud for above | 646481-x |
| Cable Shroud | 352673-2 |
| Spacer | 352012-x |
| Daughtercard Connectors (J0 & J3) | |
| 19 col type B shielded receptacle | 352171-1 |
| 19 col type B vertical receptacle | 352269-1 |

Reference CompactPCI Designer's Guide #1307224 for more detail.
x = Part Number Stand Off Height. See page 31.

CompactPCI is a trademark of PICMG-PCI Industrial Computer Manufacturers Group Incorporated.

CompactPCI Connectors: At a Glance



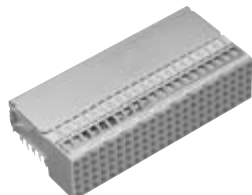
J1/J4 Type A Right Angle Female with Shield

- 110 signal contacts
- Length 49.9 [1.964]
- Integrated pre-alignment and polarizing guide lug
- Daughtercard applications
- Part Number 352068-1



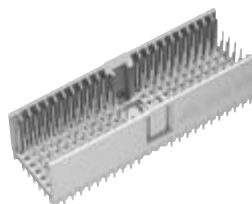
P1/P4 Type A Vertical Male Feed-To

- 110 signal contacts
- Length 49.9 [1.964]
- Integrated pre-alignment and polarizing guide features
- Backplane applications
- Part Number 188834-1



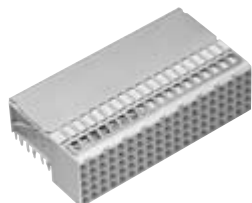
J2/J5 Type B Right Angle Female with Shield

- 110 signal contacts
- Length 43.9 [1.728]
- Daughtercard applications
- Part Number 352152-1



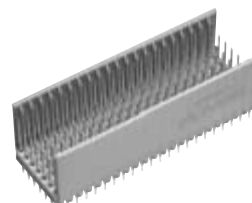
P1 Type A Vertical Male Feed-To (Hot Swap)

- 110 signal contacts
- Length 49.9 [1.964]
- Integrated pre-alignment and polarizing guide features
- Backplane applications
- Part Number 352332-1



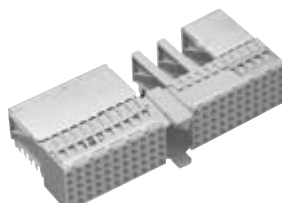
J3 Type B Right Angle Female with Shield

- 95 signal contacts
- Length 37.9 [1.492]
- Daughtercard applications
- Part Number 352171-1



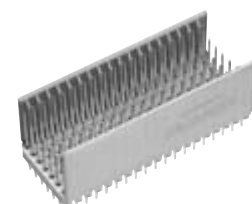
P2/P5 Type B Vertical Male Feed-To

- 110 signal contacts
- Length 43.9 [1.728]
- Backplane applications
- Part Number 188835-1



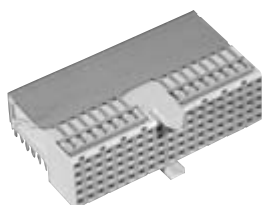
J4 Type A Right Angle Female (Select Load) with Segmented Shield (Computer Telephony)

- 90 signal contacts
- Length 49.9 [1.964]
- Daughtercard applications
- Part Number 352359-1



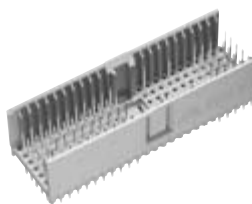
P3 Type B Vertical Male Feed-To

- 95 signal contacts
- Length 37.9 [1.492]
- Backplane applications
- Part Number 352033-1



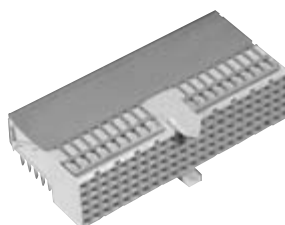
RJ3 Type AB Right Angle Female with Shield

- 95 signal contacts
- Length 37.9 [1.492]
- Rear Transition Card applications
- Part Number 646488-1



P4 Type A Vertical Male Header Feed-To (Computer Telephony)

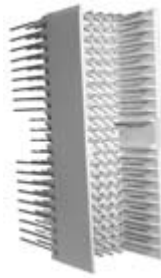
- 84 signal contacts
- Length 49.9 [1.964]
- Integrated pre-alignment and polarizing guide features
- Backplane applications
- Part Number 352352-1



RJ5 Type AB Right Angle Female with Shield

- 110 signal contacts
- Length 43.9 [1.728]
- Rear Transition Card applications
- Part Number 646489-1

See CompactPCI Designer's Guide #1307224 for additional information.

CompactPCI Connectors: At a Glance (Continued)**P2/P5 Type AB Vertical Male Feed-Thru**

- 110 signal contacts
- Length 43.9 [1.728]
- Mid-plane applications
- Part Number 646735-1, 646736-1
(use with type AB shroud)

**P3 Type AB Vertical Male Feed-Thru**

- 95 signal contacts
- Length 37.9 [1.492]
- Mid-plane applications
- Part Number 646732-1, 646734-1
(use with type AB shroud)

**P2/P5 Type AB Vertical Male Feed-To**

- 110 signal contacts
- Length 43.9 [1.728]
- Backplane applications
- Part Number 646533-1, 646534-1

**P3 Type AB Vertical Male Feed-To**

- 95 signal contacts
- Length 37.9 [1.492]
- Backplane applications
- Part Number 646530-1, 646532-1

Universal Power Module — Vertical Receptacle

The Tyco Electronics Universal Power Module is a three position, modular, Hard Metric board-to-board power connector designed to be compatible with Z-PACK 2mm HM Connectors. The design is in an “inverse-sex” orientation and the vertical receptacle module meets the IEC 950 safety requirements for finger probe protection.

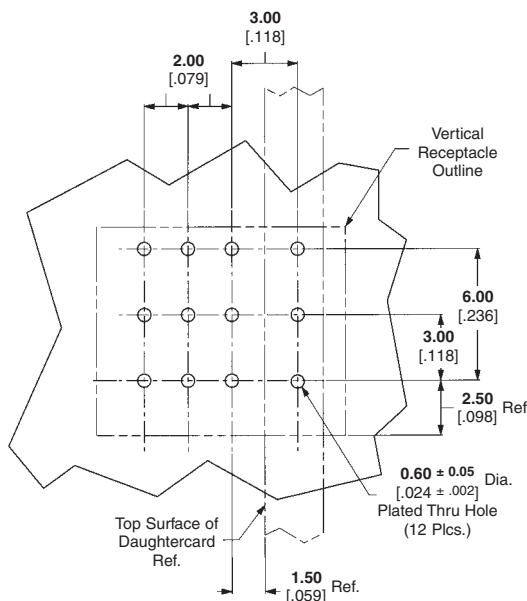
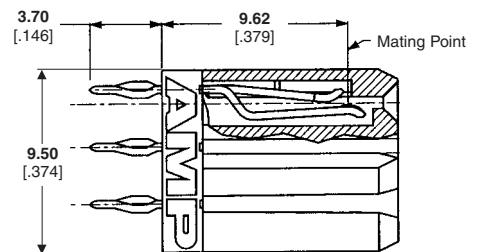
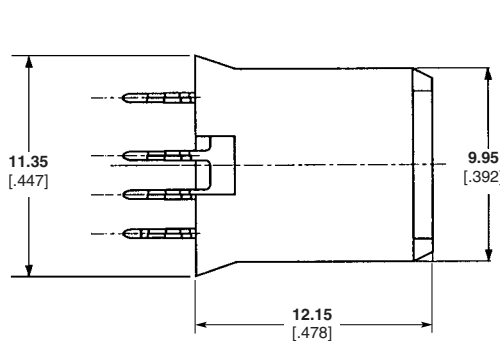
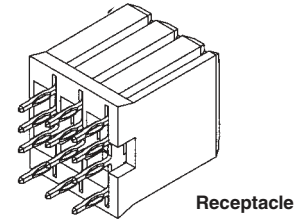
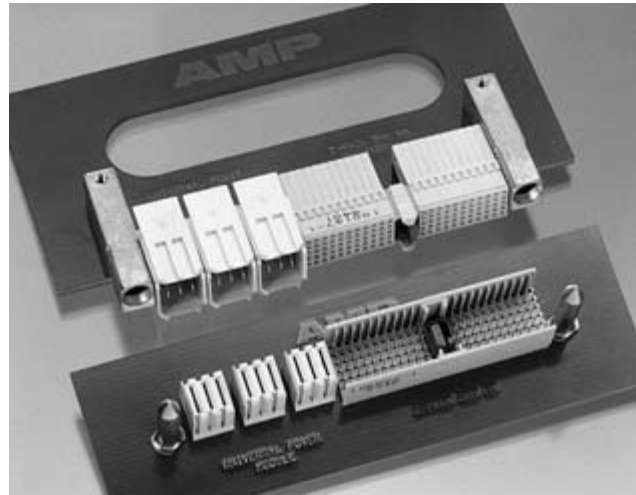
Both the headers and receptacle utilize AMP ACTION PIN press-fit leads for ease of assembly onto printed circuit boards. Additionally, the vertical receptacle leads are polarized to allow only one orientation onto the printed circuit board, eliminating the possibility of reverse placement.

The Universal Power Module is compatible with a wide variety of other Tyco Electronics board-to-board connectors including Z-PACK Stripline 100, AMP-HDI, TBC, TBC Plus and Eurocard connectors.

The housing is a high temperature thermoplastic, and the phosphor bronze contacts are gold-over-nickel plated on the mating surfaces. The modules are rated to carry a maximum of 23.5 amperes or 7.8 amperes per contact, fully energized for up to 250 mating cycles.

The right angle header contacts are available with sequenced lengths for “make-first/break-last” applications.

Generous alignment features designed into the housings and optional guide pins and receptacles make the Tyco Electronics Universal Power Module ideal for “blind mating” applications.



Recommended PC Board Hole Layout

| Description | Position Loaded | Part Numbers |
|---------------------|-----------------|--------------|
| Vertical Receptacle | ABC | 223955-2 |
| | AC | 223984-1 |

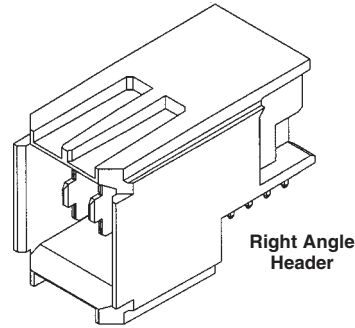
Universal Power Module — Right Angle Header

Material and Finish

Housing — Valox, natural color, UL94 V-0 Rated

Contacts — Phosphor bronze, plated 0.00127 [.000050] min. gold in mating area, 0.00050 [.000020] min. tin-lead on ACTION PIN Contact post area, with entire contact underplated 0.00127 [.000050] min. nickel

Note: Contact lubrication with Bellcore approved lubricant



Related Product Data

Guiding Hardware (Optional) — page 54.

Application Tooling —

Header
Seating Tool, 224441-1
Board Support Fixture, 224442-1.

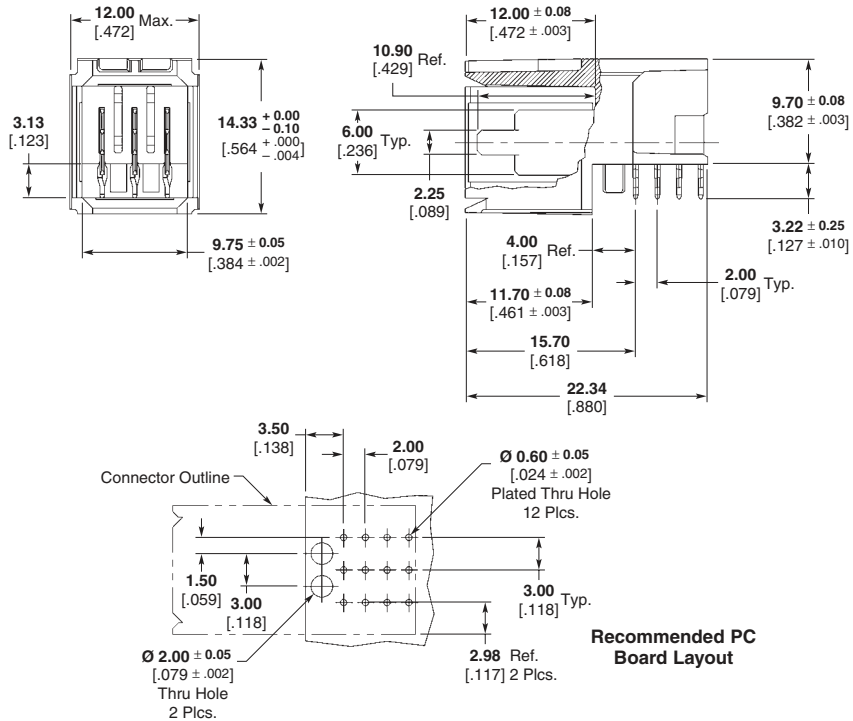
Receptacle
Seating Tool, 224421-1
Board Support Fixture, 217602-1.

Technical Documents

Product Specification
108-1651

Application Specification
114-1103

Instruction Sheet
408-4169 (Receptacle Seating Tool 224421-1)



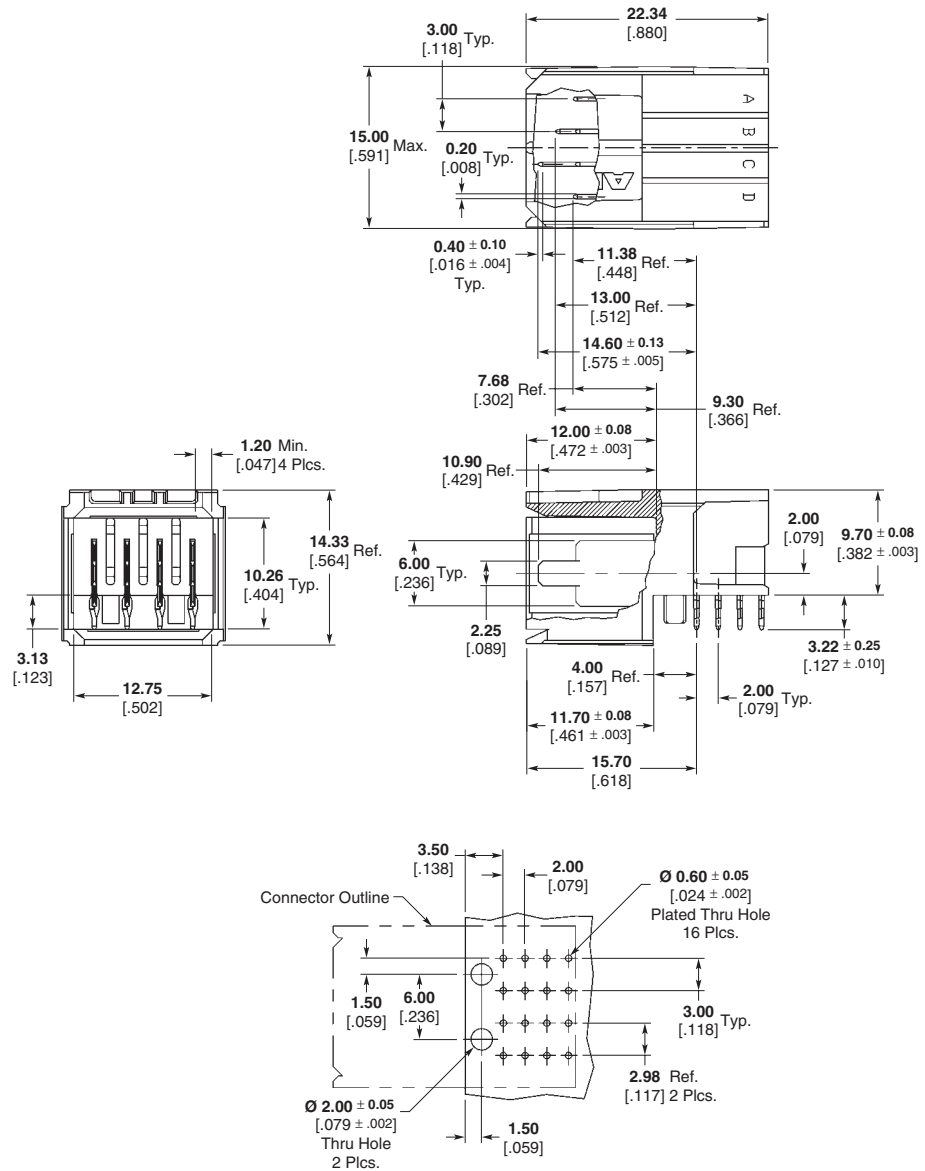
| Part Number | Position A | Position B | Position C |
|-------------|--------------|--------------|--------------|
| 120912-1 | 7.68 [.302] | 9.30 [.366] | 10.90 [.429] |
| 120914-1 | 9.30 [.366] | — | 7.68 [.302] |
| 223938-1 | 7.68 [.302] | 10.90 [.429] | 10.90 [.429] |
| 223961-1 | 10.90 [.429] | 10.90 [.429] | 10.90 [.429] |
| 223962-1 | 10.90 [.429] | 9.30 [.366] | 10.90 [.429] |
| 223963-1 | 9.30 [.429] | 10.90 [.429] | 9.30 [.366] |
| 223964-1 | 9.30 [.366] | 10.90 [.429] | 7.68 [.302] |
| 223965-1 | 9.30 [.366] | 7.68 [.302] | 9.30 [.366] |
| 223967-1 | 9.30 [.366] | 9.30 [.366] | 9.30 [.366] |
| 223968-1 | 10.90 [.429] | 9.30 [.366] | 9.30 [.366] |
| 223970-1 | 10.90 [.429] | 7.68 [.302] | 7.68 [.302] |
| 223971-1 | 10.90 [.429] | 7.68 [.302] | 9.30 [.366] |
| 223972-1 | 10.90 [.429] | 7.68 [.302] | 10.90 [.429] |
| 223974-1 | 7.68 [.302] | 7.68 [.302] | 7.68 [.302] |
| 223975-1 | 9.30 [.366] | — | 9.30 [.366] |
| 223980-1 | 7.68 [.302] | 7.68 [.302] | 9.30 [.366] |
| 223981-1 | 9.30 [.366] | 9.30 [.366] | 7.68 [.302] |
| 223983-1 | 7.68 [.302] | 9.30 [.366] | 7.68 [.302] |
| 223989-1 | 9.30 [.366] | 9.30 [.366] | 10.90 [.429] |
| 223990-1 | 9.30 [.366] | 7.68 [.302] | 8.28 [.326] |
| 223991-1 | 7.68 [.302] | 10.90 [.429] | 7.68 [.302] |

Expanded Universal Power Module Headers

Material and Finish

Housing — Polyester, gray

Contacts — Phosphor bronze, plated 0.00127 [.000050] min. gold in mating area, 0.00054 [.000021] min. tin-lead on ACTION PIN post area, with entire contact underplated 0.00127 [.000050] min. nickel



Recommended PC Board Layout

| Part Number | Positions | All Contacts |
|-------------|-----------|--------------|
| 646954-1 | 4 | 10.90 [.429] |
| 646955-1 | 5 | 10.90 [.429] |
| 646956-1 | 6 | 10.90 [.429] |
| 646957-1 | 7 | 10.90 [.429] |
| 646958-1 | 8 | 10.90 [.429] |
| 646959-1 | 9 | 10.90 [.429] |
| 646960-1 | 10 | 10.90 [.429] |
| 646961-1 | 11 | 10.90 [.429] |
| 223996-1 | 12 | 10.90 [.429] |

Power and Guide Hardware

Expanded Universal Power Module Vertical Receptacles

Material and Finish

Housing — Polyester, gray

Contact — Copper alloy, plated 0.00127 [0.00050] min. gold in mating area, 0.00050 [0.00020] min. tin-lead on ACTION PIN Post area, with entire contact underplated 0.00127 [0.00050] min. nickel

Related Product Data

Guiding Hardware (Optional) — pages 58-60

Application Tooling

Header

Seating Tool, 224441-1
Board Support Fixture, 224442-1

Receptacle

Seating Tool, 224421-1
Board Support Fixture, 217602-1

Technical Documents

Product Specification

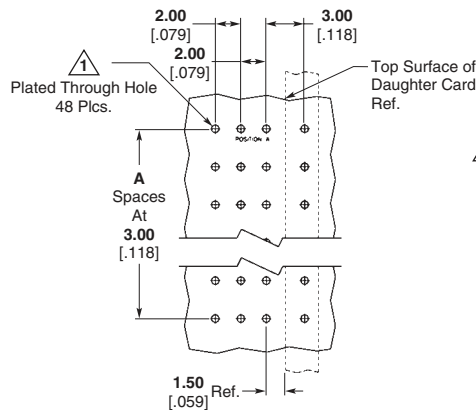
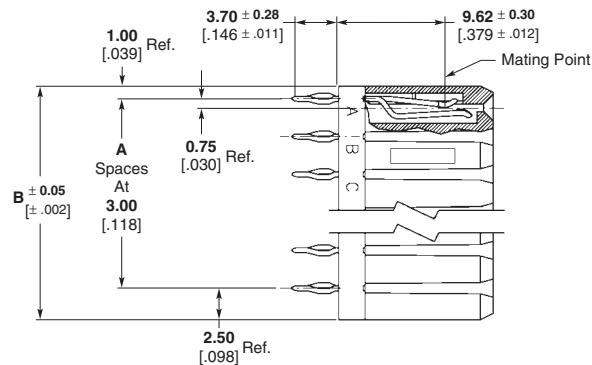
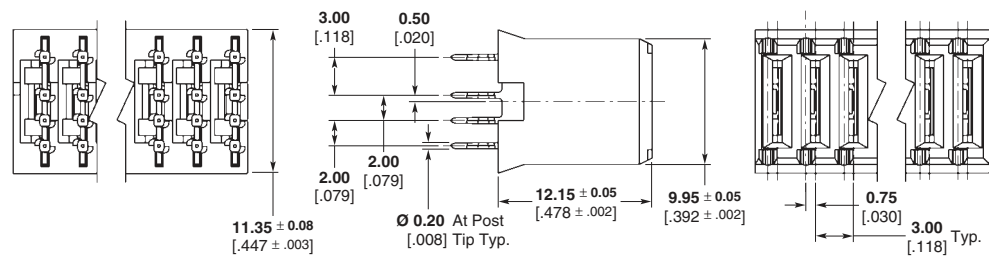
108-1651

Application Specification

114-1103

Tyco Electronics Instruction Sheet

408-4169 (Receptacle Seating Tool 224421-1)



PCB Hole Dim.
Drilled Hole = 0.7000 ± 0.025 [0.02756 ± .0010]
Finished Hole = 0.60 ± 0.05 [0.024 ± .002]
Cu Thickness = 0.375 ± 0.0125 [0.0148 ± .00049]
SnPb Thickness = 0.007 ± 0.003 [0.0003 ± .0001]

Note: For finishes other than tin-lead, reference Application Specification 114-1103.

Recommended PCB Hole Layout

| Position | A | B Ref. | Standard *10A Part Number | High Current *15A Part Number |
|----------|---|---------------|---------------------------|-------------------------------|
| 4 | 3 | 12.50 .492 | 223995-1 | 120953-1 |
| 5 | 4 | 15.50 .610 | 223995-2 | 120953-2 |
| 6 | 5 | 18.50 .728 | 223995-3 | 120953-3 |
| 7 | 6 | 21.50 .846 | 223995-4 | 120953-4 |
| 8 | 7 | 24.50 .965 | 223995-5 | 120953-5 |

*Reference Product Specification 108-1651.

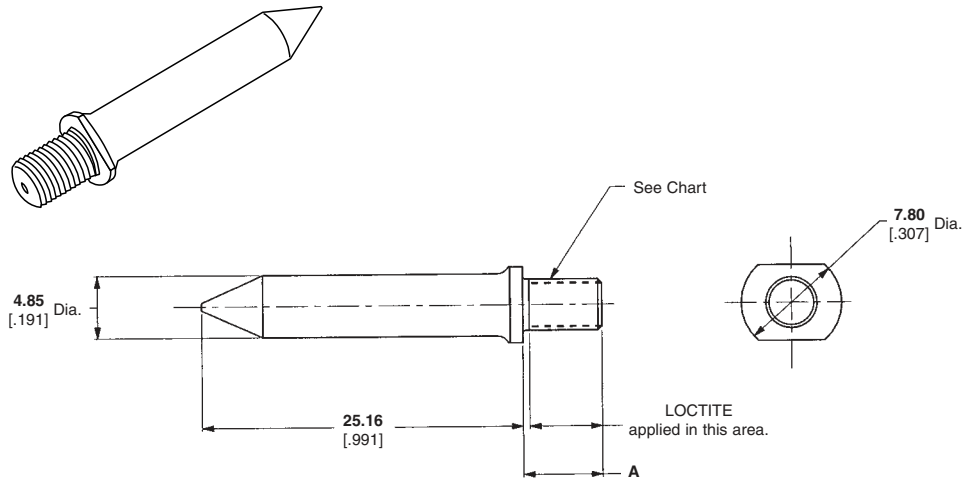
Note: For additional Power Module options reference Catalog 1773096, "Power Connectors and Interconnection Systems," or contact your Tyco Electronics Sales Representative.

Guiding Hardware – Unkeyed

Guide Pin

Material and Finish

Passivated stainless steel
Part Number **223956-1**



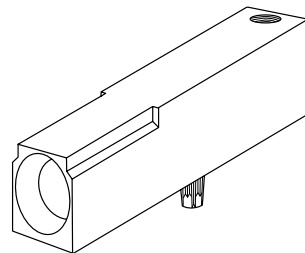
| A | Thread | Part Numbers |
|-------------|-------------|--------------|
| 7.5 [.295] | M4 × .7-6g | 223982-1* |
| 9.2 [.362] | M4 × .7-6g | 223969-7 |
| 12.7 [.500] | 8-32 UNC-2A | 223969-4 |
| 12.7 [.500] | M4 × .7-6g | 223969-1 |
| 6.2 [.244] | M4 × .7-6g | 223956-1 |

*6.35 Hex Base

Female Guide Module

Material and Finish

Zinc alloy, chromate conversion coated



Related Product Data

Application Tooling

Seating Tool, 224440-1
Board Support Fixture, 217603-1

Technical Documents

Product Specification

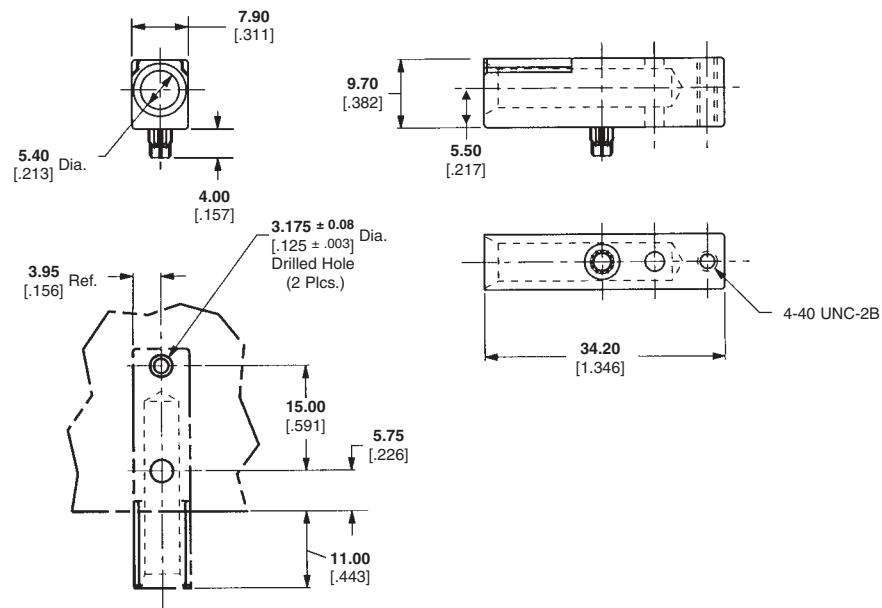
108-1651

Application Specification

114-1103

Part Number **223957-1**
(as shown)

Part Number **223979-1**
(dual alignment posts)



Recommended PC Board Hole Layout

LOCTITE is a trademark of Henkel Corp.

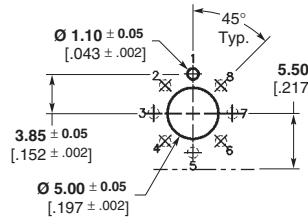
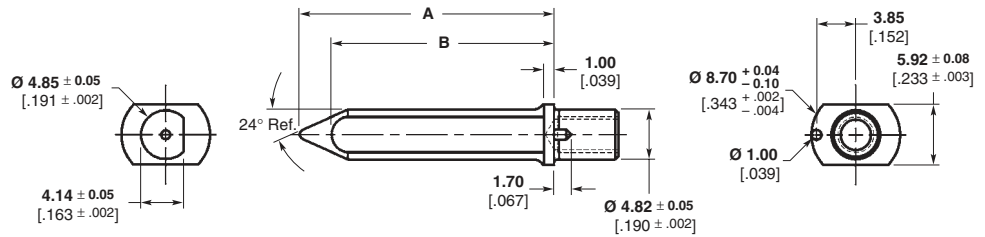
Guiding Hardware – Keyed

Guide Pin, Universal Power Module

Material and Finish

Zinc Alloy Die Casting,
Chromate Conversion Coating Finish

| Part Number | Dim. A | Dim. B |
|-------------|----------------|---------------|
| 223985-1 | 25.16 .990 | 20.39 .802 |
| 223985-3 | 29.00 1.141 | 24.23 .953 |



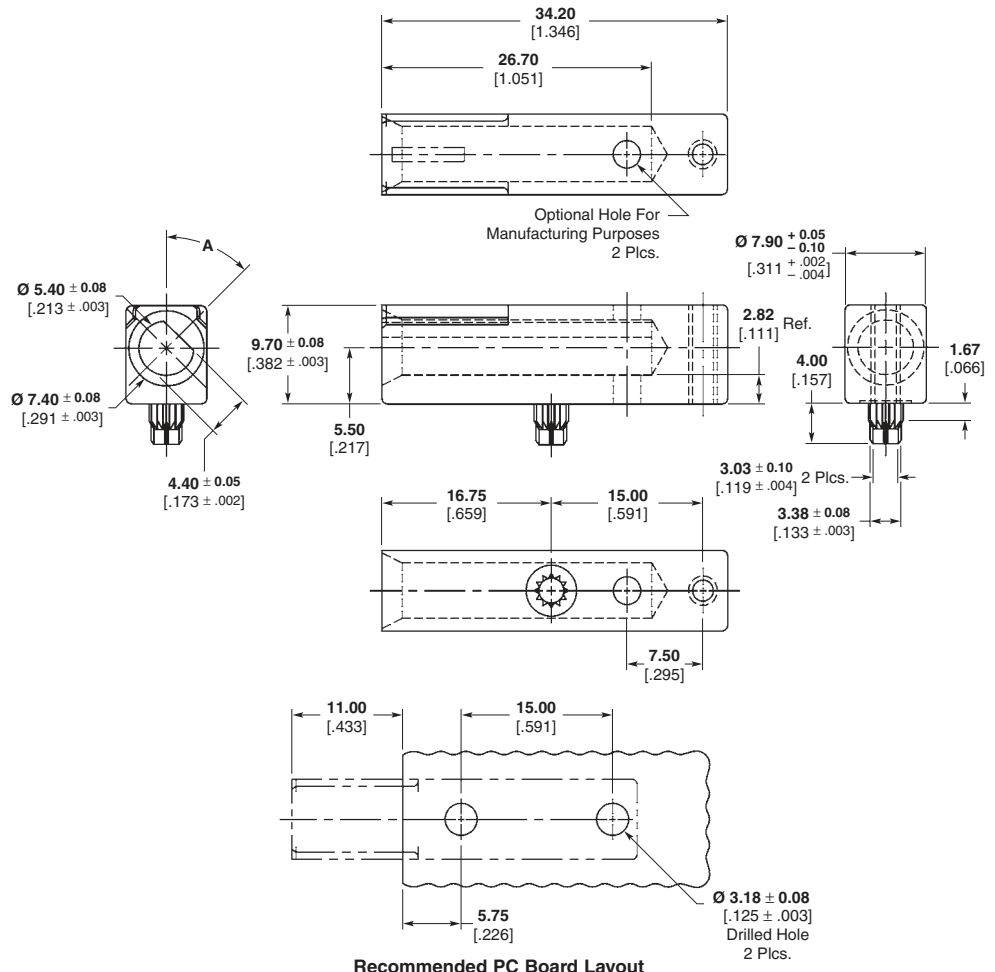
**Recommended PC Board Layout
(Position Shown Used With
Part Number 223986-1)**

Module, Female, Universal Power Module

Material and Finish

Zinc Alloy Die Casting,
Chromate Conversion Coating Surface
Finish

| Part Number | Dim. A |
|-------------|--------|
| 223986-1 | 0° |
| 223986-2 | 45° |
| 223986-3 | 90° |
| 223986-4 | 135° |
| 223986-5 | 180° |
| 223986-6 | 225° |
| 223986-7 | 270° |
| 223986-8 | 315° |



Recommended PC Board Layout

Static Discharge Guide Pins

Ground connection and guidance can be combined using this system which can be used instead of the guide pins shown on page 54. The contacts have a rating of 10A and give a make/break position 12 [.472] in advance of level 3 signal contacts.

Alternative pin lengths are possible and the pin contact housing can be omitted if desired.

Materials and Finish

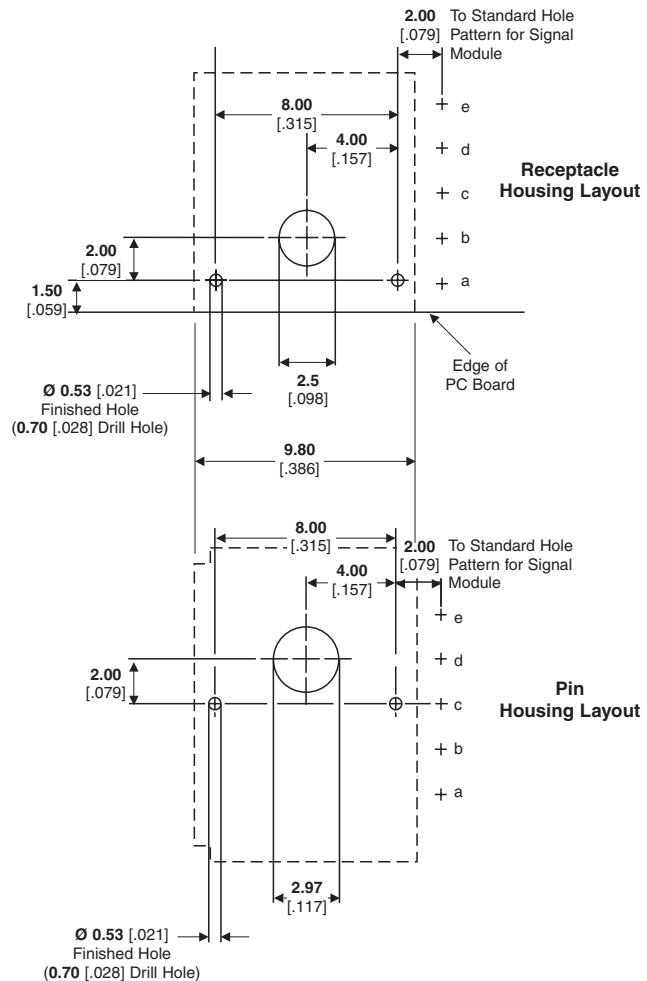
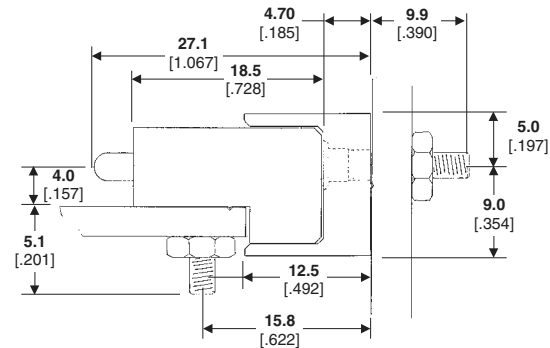
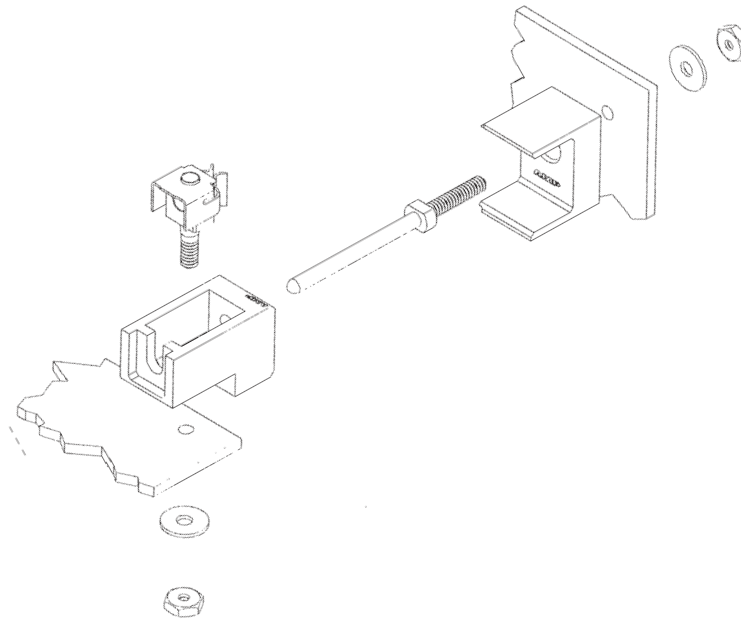
Housings — Glass filled polyester gray, UL94 V-0 rating

Contacts —

Pin — Brass

Receptacle — Copper alloy

Plating — 0.8µm [.000030] Au over 1.3µm [.000050] Ni



| Description | Part Numbers |
|---------------------|--------------|
| Pin Contact | 532828-5 |
| Pin Contact Housing | 646274-1 |
| Receptacle Contact | 533065-6 |
| Rec Contact Housing | 646273-1 |
| Nut | 21124-4 |
| Washer | 986794-1 |

Cable Connectors and Lead Assemblies

Tyco Electronics Cable Connectors

The Tyco Electronics range of Hard Metric 2mm [.079] cable connectors and cable assemblies provides circuit designers with a great flexibility in choice of cable types and termination styles.

All types of connectors are end stackable although one pin column is missed with field installable types. This enables high densities of connections using cables from unshielded single wires through to miniature coaxial cable.

Pin Headers

Cables can be connected to boards both perpendicular and parallel using feedthrough pin headers and cable shrouds for rear of backplanes, or using stand-alone Right Angle or vertical headers.

Sequenced mating can be arranged with all of these options, see detail on page 66.

All cables are retained by using snap latches on the male part, these being ordered separately and fitted where required.

Specification

| Connector type | Field Installable | Unshielded | Shielded |
|-------------------------|---|--|----------|
| Sizes | 5x2 and 5x4 | 5x1 | 5+2 x 1 |
| End Stackable | n | y | y |
| Field Terminable | y | n | n |
| Polarized | y | y | y |
| Contact | | | |
| Centers | ← 2mm Matrix → | | |
| Style | ← Twin Beam → | | |
| Contact Rows | 5 | 5 | 5+2 |
| Termination | IDC | ← Tyco Electronics Terminated → | |
| Material | ← Phosphor Bronze → | | |
| Plating | ← 0.8µm Au over 1.3µm Ni → | | |
| Mating Pin Lengths | ← 5.3 - 8.3 mm → | | |
| Current Rating | ← Dependent on Wire Section, 1.5a max → | | |
| Housing | | | |
| Housing Material | LCP, Black | ← Thermoplastic, Black → | |
| Cover Material | PBT, Black | | |
| UL 94 Rating | ← UL 94 V-0 → | | |
| Strain Relief | Cable Tie | ← Overmolded → | |
| Cable Assemblies | | | |
| Cable Types | Discrete | Shielded or Unshielded Twisted Pair; Shielded or Unshielded Flat Pair 50Ω or 75Ω Twin Coax etc | |
| Wire Sizes | 0.25-0.4/0.4-0.5mm 30-26AWG/26-24AWG | | |
| Insulation Dia. | 1.0mm Max. | | |

Electronics

Tyco Electronics provides a full range of components for the backplane and daughterboard mating arrangements shown here.

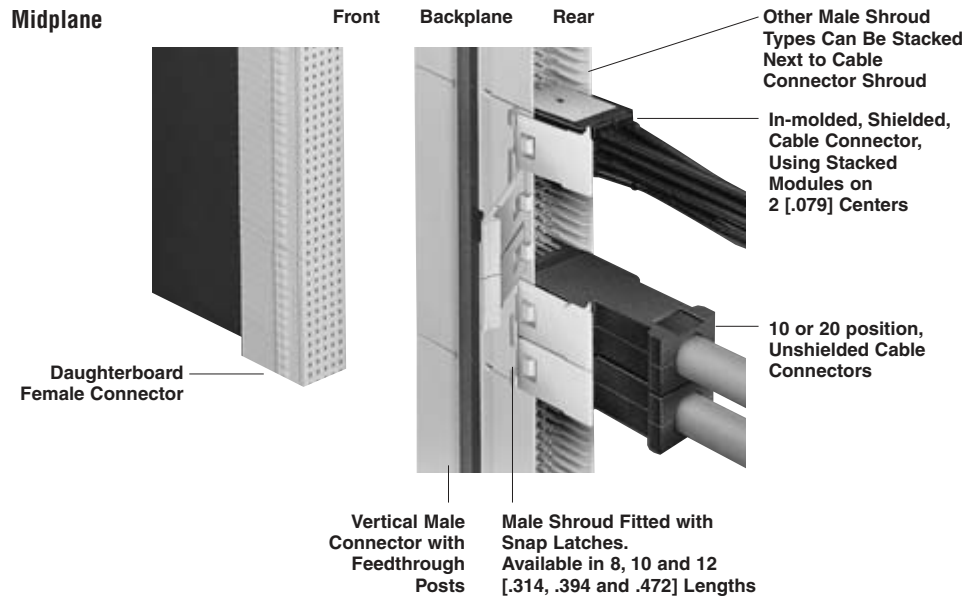
Midplane

Feedthrough posts from the front male connector, in conjunction with male shrouds, create the male counterpart for polarized mating with cable connectors.

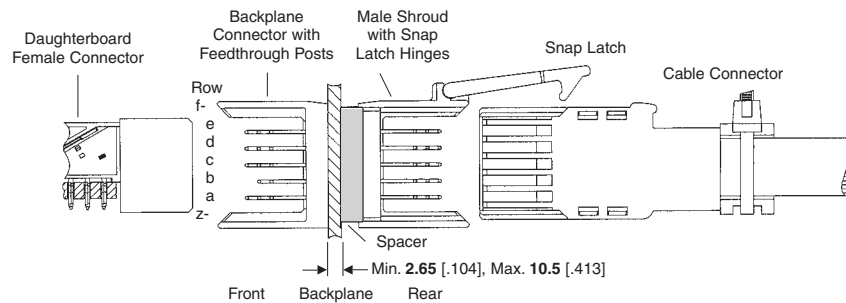
Male Shrouds come in three lengths for end-to-end stacking and use snap latches for firm retention of cable connector housings.

Shrouds are assembled over the feedthrough posts, gripping their sides to ensure rigid location during normal mating/withdrawal of cable connectors.

Cable Connector Mating Arrangements



Midplane Male Shrouds, without stand-off for PC Board Thickness, min. 2.6 [.104]



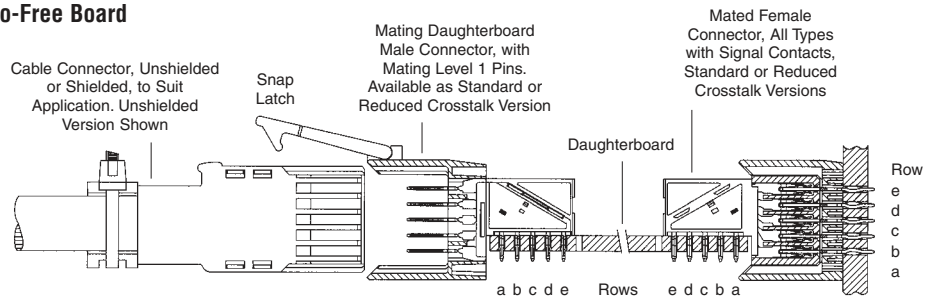
Spacers

Spacers are available to increase the range of backplane thicknesses possible with sequenced make first and break last. The combined thickness range is 1.65 [.065] to 7.7 [.303], although thicker combinations are possible with reduced function. Consult Tyco Electronics.

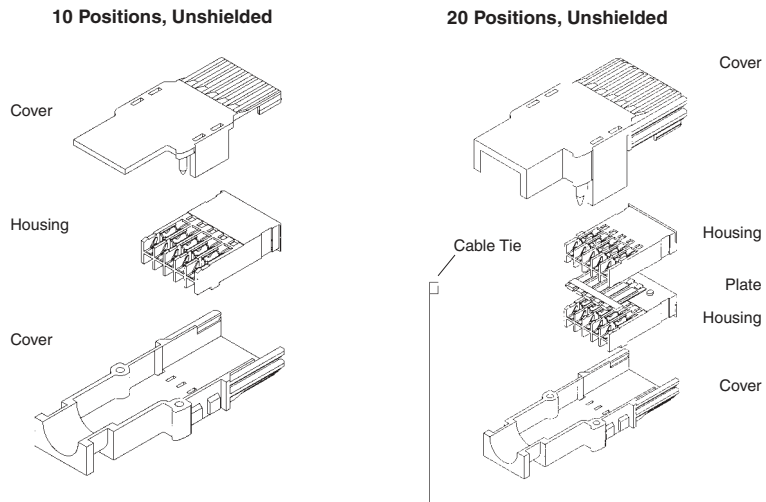
Cable Headers

Vertical and Right Angle cable headers are available with polarizing features. Vertical headers can be fitted with 5 or 5+2 rows of pins for use with shielded connectors. Right Angle versions can be specified with reduced cross talk shields.

Cable-to-Free Board



10 and 20 Position Connectors, with IDC Terminations



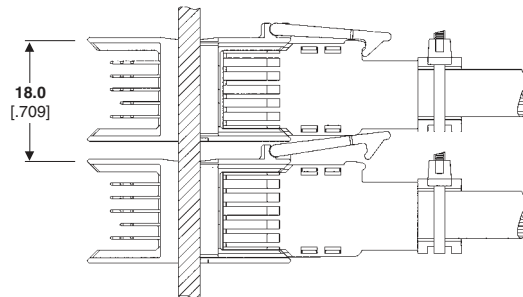
Cable Connector Kits

Unshielded cable connector kits are available in 10 and 20 position sizes. They are suitable for field installation using hand tools and for in-plant assembly using either hand or semi-automatic tooling.

Both methods allow for un-terminated contacts in random positions.

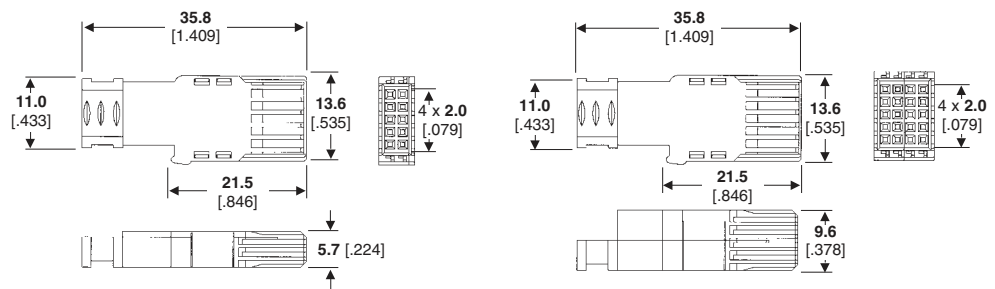
The contact design features double IDC slots with crimp insulation support. Additional outer jacket support is provided by a cable clamp applied round the rear of the cover.

Two versions are available to suit wire ranges from AWG 30-26 and AWG 26-24.



Tooling

Hand Tool Part Number 734690-1
 MT-Matic Bench Terminator Part Number 1-876095-8



Cable Connector Mating

Covers are polarized to prevent inverted mating. Keying is not provided to allow flexibility of position in mating to headers. These connectors will not stack end-to-end without loss of one contact column.

Lead Assemblies

Tyco Electronics can provide lead assemblies to your specification, fully tested and ready for use. A variety of cables can be used.

Row Spacing

Minimum pitch of connector columns is 18mm to allow for operation of the latch.

Materials

Housing — Liquid Crystalline Polymer, Black

Cover — Polybutylene Terephthalate, Black

| Wire Size | | Insulation Max.Ø | Part Numbers | |
|---|-----------------|------------------|--------------|-------------|
| AWG | mm ² | | 10 Position | 20 Position |
| Field Installable Kits, Single Item | | | | |
| 30-26 | 0.25-0.40 | 1.0 [.039] | 352167-1 | 352168-1 |
| 26-24 | 0.40-0.50 | 1.0 [.039] | 352167-2 | 352168-2 |
| Field Installable Kits, 50 Items, Bulk Package | | | | |
| 30-26 | 0.25-0.40 | 1.0 [.039] | 1-352167-1 | 1-352168-1 |
| 26-24 | 0.40-0.50 | 1.0 [.039] | 1-352167-2 | 1-352168-2 |

Cable Connector Lead Assembly Produced to customer requirements, consult Tyco Electronics

Lead Assemblies, with 5 Position Shielded and Unshielded Cable Connector Modules

Cable Assemblies Produced by Tyco Electronics to Customer Specifications

- Standard cable offering for unshielded (see below)
- Custom cable offering for unshielded (see your Local Representative)
- Custom cable offering for shielded (see your Local Representative)

Connector Style

Cable assemblies can be produced with connectors having two different performance levels, 5 row unshielded and 5+2 shielded. Shielded versions have shields between each column connected to row c and to z and f. Although these can be used with 5 row male connectors, better performance is obtained with 5+2 row.

Cable Assembly Types

Standard assemblies are listed below having flat twin cables with common grounds to row c.

Other configurations can be made to your specification; contact Tyco Electronics.

Polarization

All cable connectors are polarized at every position. All male connectors, except Right Angle, are also polarized every position. Right Angle male connectors are polarized every other position.

Basic Module



Figure 1

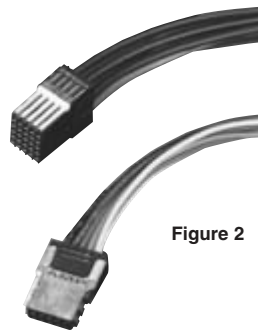
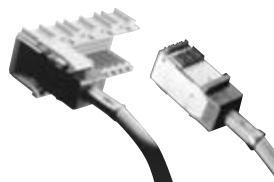
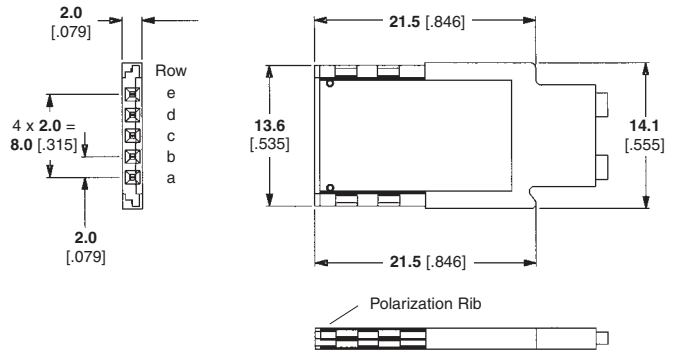


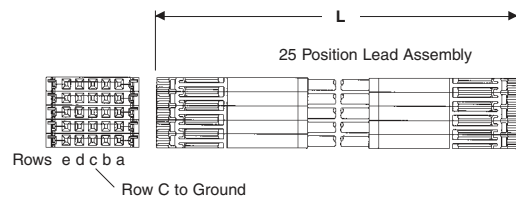
Figure 2



EMI Shielded Cable Connectors

| Position | Part Numbers |
|----------|--------------|
| 10 | 953383-1 |
| 20 | 953384-1 |
| 30 | 953385-1 |
| 40 | 953386-1 |

Example of Lead Assembly Stacking



Part Numbers (Figure 1)

| Modules Length (Meters) | 1 x (5 + 2) | | 2 x (5 + 2) | | 3 x (5 + 2) | | 4 x (5 + 2) | | 5 x (5 + 2) | | 6 x (5 + 2) | |
|-------------------------|-------------|------------|-------------|------------|-------------|------------|-------------|------------|-------------|------------|-------------|------------|
| | Straight | Cross Over | Straight | Cross Over | Straight | Cross Over | Straight | Cross Over | Straight | Cross Over | Straight | Cross Over |
| 0.5 | 188956-8 | 352041-8 | 188680-8 | 352199-8 | 188681-8 | 352200-8 | 188682-8 | 352096-8 | 188683-8 | 352196-8 | 188684-8 | 352121-8 |
| 1.0 | 188956-7 | 352041-7 | 188680-7 | 352199-7 | 188681-7 | 352200-7 | 188682-7 | 352096-7 | 188683-7 | 352196-7 | 188684-7 | 352121-7 |
| 1.5 | 188956-5 | 352041-5 | 188680-5 | 352199-5 | 188681-5 | 352200-5 | 188682-5 | 352096-5 | 188683-5 | 352196-5 | 188684-5 | 352121-5 |
| 2.0 | 188956-6 | 352041-6 | 188680-6 | 352199-6 | 188681-6 | 352200-6 | 188682-6 | 352096-6 | 188683-6 | 352196-6 | 188684-6 | 352121-6 |
| 3.0 | 188956-1 | 352041-1 | 188680-1 | 352199-1 | 188681-1 | 352200-1 | 188682-1 | 352096-1 | 188683-1 | 352196-1 | 188684-1 | 352121-1 |
| 5.0 | 188956-3 | 352041-3 | 188680-3 | 352199-3 | 188681-3 | 352200-3 | 188682-3 | 352096-3 | 188683-3 | 352196-3 | 188684-3 | 352121-3 |
| 10.0 | 188956-4 | 352041-4 | 188680-4 | 352199-4 | 188681-4 | 352200-4 | 188682-4 | 352096-4 | 188683-4 | 352196-4 | 188684-4 | 352121-4 |

Notes: Mentioned Part Numbers have cable 100 Ohm differential pair. Other lengths on request. Also available with 50 Ohm coax cable, 1 up to 5 loaded signal contacts. See figure 1.

Part Numbers (Figure 2)

2mm [.079] HM Cable Assemblies, Unshielded Connectors, Shielded Flat Twin Cable, Row c to Ground

| Modules Length (Meters) | 1 x 5 | 2 x 5 | 3 x 5 | 4 x 5 | 5 x 5 | 6 x 5 | 7 x 5 | 8 x 5 | 9 x 5 | 10 x 5 | 11 x 5 | 22 x 5 |
|-------------------------|----------|----------|----------|----------|----------|----------|----------|----------|----------|----------|----------|----------|
| 1.0 | 621275-1 | 621408-1 | 621409-3 | 621410-4 | 621411-3 | 621720-2 | 636207-1 | 621412-4 | 636171-1 | 636208-1 | 636209-1 | 636210-1 |
| 1.5 | 621275-6 | 621408-2 | 621409-2 | 621410-1 | 621411-1 | 621720-3 | 636207-2 | 621412-2 | 636171-2 | 636208-2 | 636209-2 | 636210-2 |
| 2.0 | 621275-2 | 621408-3 | 621409-4 | 621410-5 | 621411-4 | 621720-4 | 636207-3 | 621412-5 | 636171-3 | 636208-3 | 636209-3 | 636210-3 |
| 3.0 | 621275-3 | 621408-4 | 621409-1 | 621410-3 | 621411-2 | 621720-5 | 636207-4 | 621412-6 | 636171-4 | 636208-4 | 636209-4 | 636210-4 |
| 5.0 | 621275-5 | 620889-1 | 620888-1 | 621891-1 | 621411-5 | 621720-6 | 636207-5 | 621412-7 | 636171-5 | 636208-5 | 636209-5 | 636210-5 |
| 10.0 | 621275-7 | 620889-2 | 620888-2 | 621891-2 | 620892-1 | 621720-7 | 636207-6 | 621412-8 | 636171-6 | 636208-6 | 636209-6 | 636210-6 |

See figure 2.

Male Cable Connector Shrouds

Zero Insertion Force (ZIF) Cable Shrouds

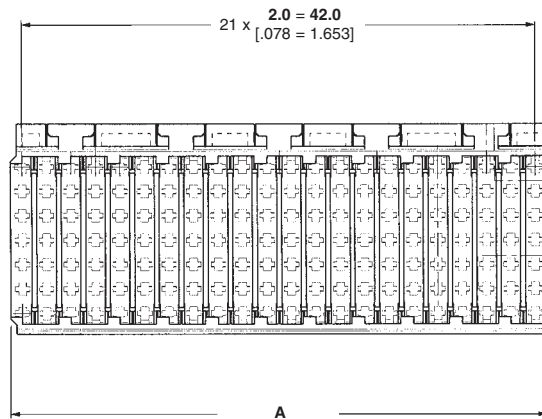
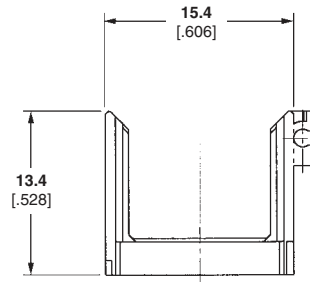
ZIF shrouds are used with 5 row and 5+2 row feed-through male connectors to allow cables to be connected to the rear of the backplane.

Separate variable thickness spacers are available (see page 30) to compensate for a range of backplane thicknesses. Spacers are assembled to shrouds before fitting over pins, and then pressed down using a male insertion tool.

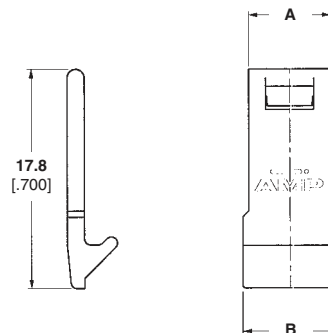
Material

Shroud and Snap Latch — Glass filled polyester, gray; rating, UL94 V-0

| Type | Part Number | Dim. Length |
|--------|-------------|---------------|
| A or B | 352601-2 | 49.90 1.96 |
| B (22) | 352672-2 | 43.90 1.73 |
| B (19) | 352673-2 | 37.90 1.49 |
| B (11) | 352674-2 | 21.90 0.86 |

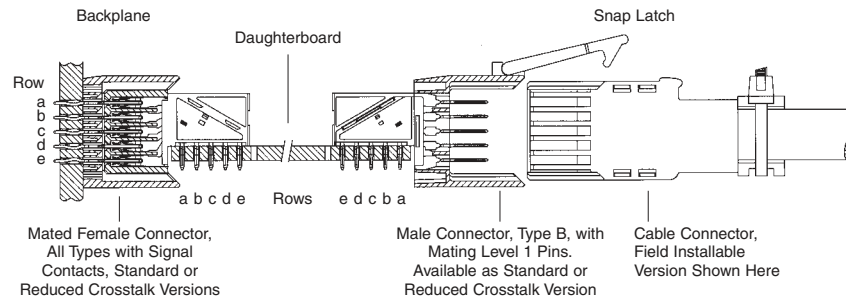


Latches



| Positions | Part Number | Dim. A Length | Dim. B Length |
|-----------|-------------|---------------|---------------|
| 4 | 352706-2 | 7.8 0.29 | 6.8 0.26 |
| 5 | 352706-1 | 9.8 0.38 | 8.8 0.34 |

Male Connectors, Cable-to-Board



Vertical and Right Angle Cable Headers

Cable connectors can be supplied to give perpendicular or in-line connection to the printed circuit board. Typical applications for vertical headers are for the rear of backplanes and for Right Angle connectors, the outer edge of daughtercards.

Vertical headers can be loaded with 5 rows of contacts for connection to unshielded cable assemblies, or with 7 rows for connection to shielded assemblies.

Right Angle headers can be supplied with optional reduced cross talk shields.

All have polarizing ribs to ensure correct cable connector position.

Contact Tyco Electronics for ground return shields for Right Angle connectors.

Performance Data pages 6-7.

Materials and Finish:

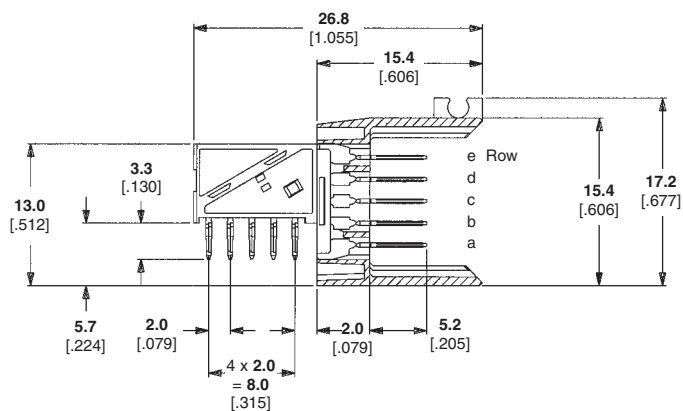
Glass filled polyester housing, gray, UL94 V-O rated.

Phosphor-bronze signal contacts
 Contact area 0.8µm [.000030] Au over 1.3µm [.000050] Ni
 ACTION PIN Contact 0.5µm [.000020] Sn/Pb over 1.3µm [.000050] Ni

Snap Latches

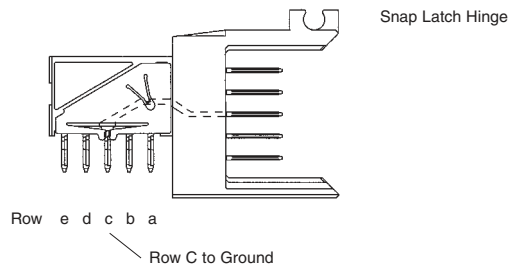
Part Number **620729-1**, 5 Column
 Part Number **620729-2**, 4 Column
 4 or 5 pos latches should be specified according to cable connector location and size.

Standard Version



Reduced Crosstalk Version

Same dimensions as standard version



Male Connectors, Cable-to-Board (Continued)

Assembly on Free Board

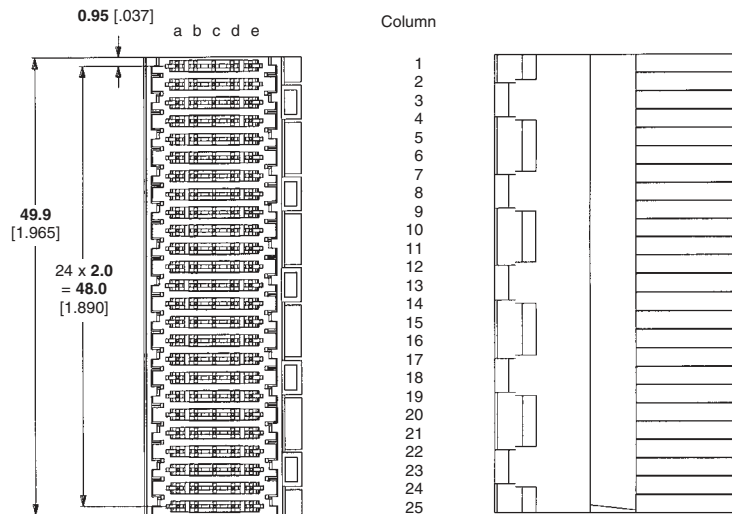
Contacts have ACTION PIN posts for firm retention, same as free board female connectors.

Type B, Right Angle Male Connector

| Version | Part Number |
|-------------------|-------------|
| Standard | 1-106014-1 |
| Reduced Crosstalk | 1-352272-1 |

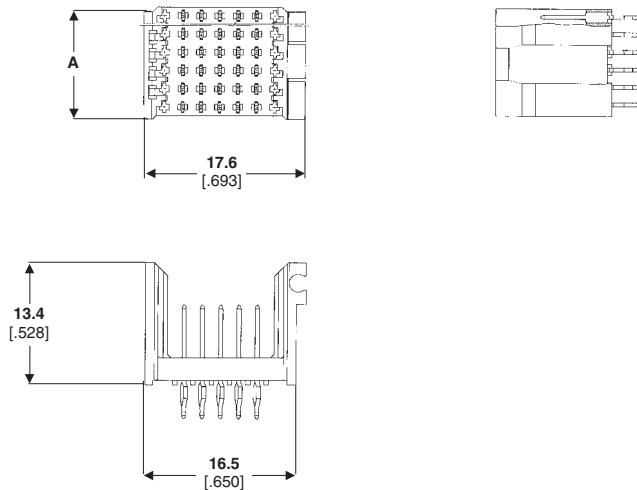
Type A and C versions also available, contact Tyco Electronics.

Type B, 125 Signal Pins, 50 [1.968] Module



Vertical Male Connector

Note: Housing is black



| No. of Columns | Part Numbers | Dim. A |
|----------------|--------------|---------------|
| 4 | 636120-1 | 7.88 .310 |
| 5 | 636120-2 | 9.88 .388 |
| 6 | 636120-3 | 11.88 .468 |

Other sizes in planning

Dimensions and Tolerances

Coordination dimensions and tolerances

The accompanying diagrams show the depth dimensions used in the equipment practice, used for both 2 and 2.5 [.079 and .098] systems, and allowable tolerances for subrack and backplane bending.

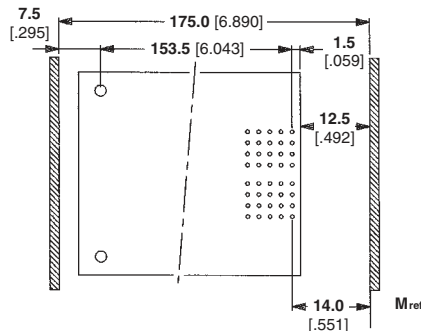
Coordination Dimension M_{ref}

As defined in the DIN 43356 and IEEE 1301 Hard Metric equipment practices for the 2.5mm system, and used in IEC 61076-4-101, the dimension M_{ref} is the range for free board engagement with the backplane.

The specified contact mating must be maintained on a mated pair of connectors, within the range of M = 14 to 16.5 [.551 to .650] for the shortest mating level 1.

For mating levels 2 and 3 the contact ranges are 14 to 18 [.551 to .709] and 14 to 19.5 [.551 to .768].

See page 67 for further details on AMP Z-PACK 2mm HM contact mating levels.

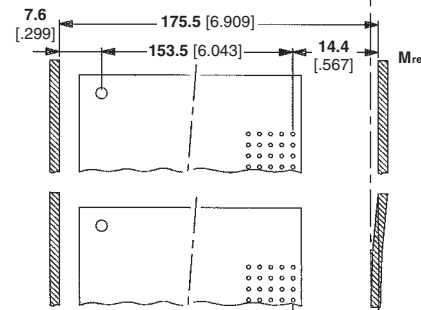
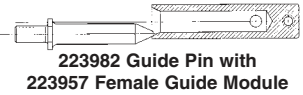


Coordination Dimensions

3.15 [.124] Max. Mismatch



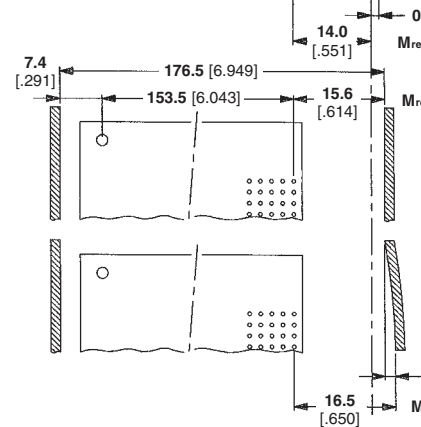
2.75 [.108] Max. Mismatch



Subrack tolerances

Worst case condition 1 without back panel bending

Worst case condition 1 with back panel bending



Subrack tolerances

Worst case condition 2 without back panel bending

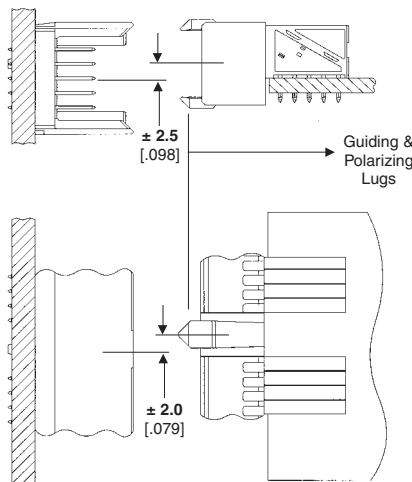
Worst case condition 2 with back panel bending

Misalignment and inclination tolerances

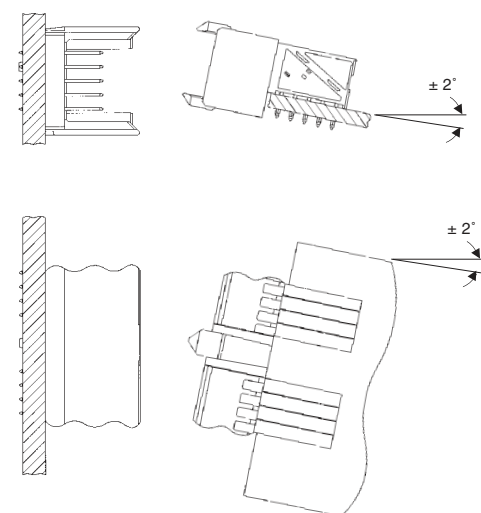
Guiding and polarizing lugs of Type A, M and L connectors, also at ends of Type C and N, allow the mating tolerances shown here.

Tolerances apply only when guide lugs are separated by only one Type B module without lugs.

Allowed Misalignment, Transverse & Longitudinal Axes



Allowed Inclination, Transverse & Longitudinal Axes



Fixed Board Male Connectors

Type A, B, C, M, M-MS-C and M-MS-C-rev. fixed board male connectors have signal contact positions identified by row letters and column numbers, shown right, viewed toward the frontside of the backplane.

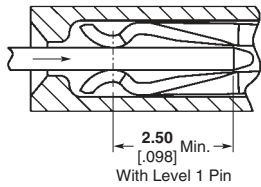
Contact positions can be filled or left unfilled, as required, for a customer's circuit arrangement. Contact pins for each position can be specified from any of the options shown below, excepting:

- Rows **z** and **f**, for ground return shield contacts only, must always be level 3.
- Row **b** is not available for level 3 (length 11.2 [.441]) contacts when mating with a right angle female connector.
- For rear board cable connectors, use posts providing rear mating length 1 after allowing for board thickness, unless sequenced mating is required. Consult the chart page 66.

Use the codes A-V to specify front/rear contact for each position on the special option chart, page 67.

Midplane Cross-connect Applications

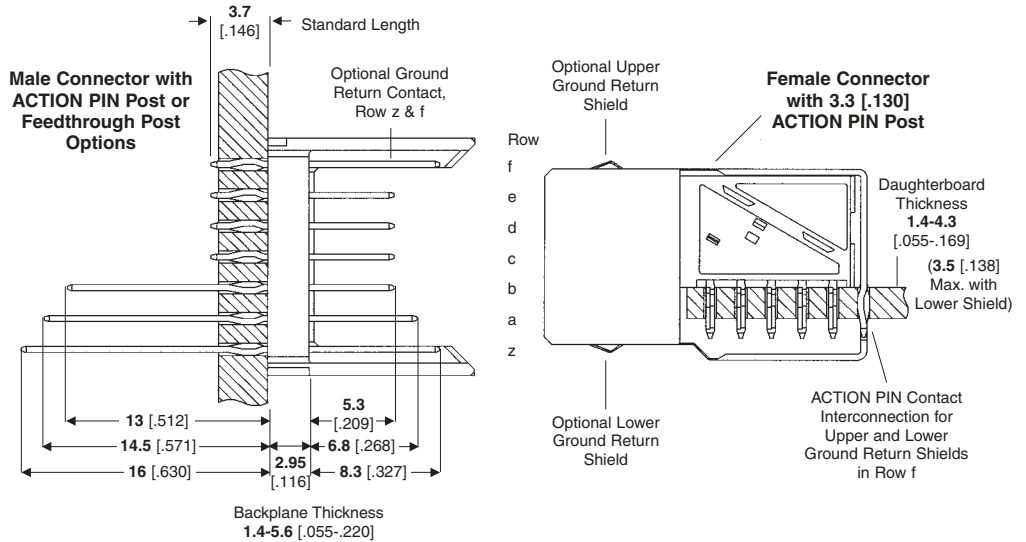
Cross-connections, require the feedthrough posts to be rotated 90°, so that the mating surface aligns with the female receptacle spring beams.



Contact Range

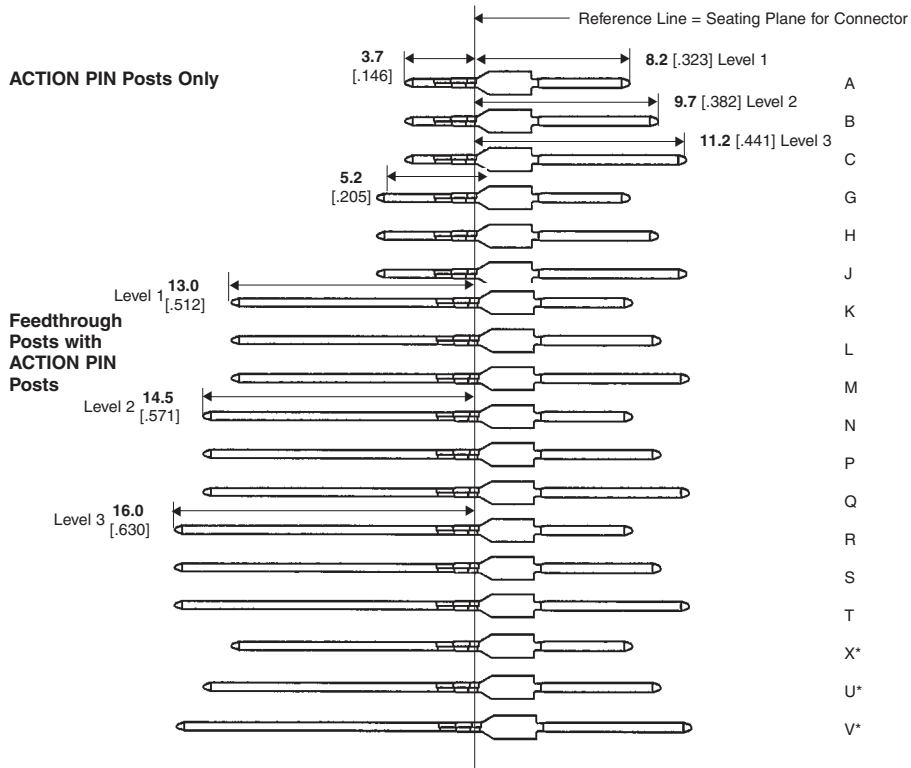
Dimensions

Connector Types



Male Pin Options

| Rear Style | REAR | Contact Dimensions | FRONT | Specify by Code |
|------------|------|--------------------|-------|-----------------|
|------------|------|--------------------|-------|-----------------|



* X, U, V are only used for cross connect applications. Not all versions are tooled.

Customer Specification for Signal Pin Arrangement and MSC Plug Cavities

Please make a photocopy of this page for marking up the specification.

Fill in chart below with contact type designation (see guide) required in each position. Unfilled positions to be left blank.

Customer:

Prepared by: Dept:

Date: Order no. reference, if available:

Select Male Conn. Type: A B C D E F M-MSC M-MSC-rev, Vertical/Right Angle

MSC Male Connector Fiber Optic Cavities Type (circle letter): M-MSC M-MSC-rev L-MSC

Notes

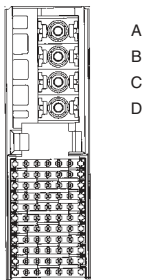
(1) Ground return shield contacts only, level 3 (length 11.2 [.441]) required. z+f for 5+2 row, z+i for 8+2 row

(2) Not available for level 3 contacts when mating with 5 row or 8 row right angle female connector.

MSC Connectors, see below

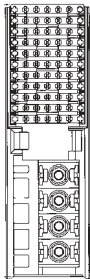
Circle cavity positions to be filled with sleeve and end cap.

M-MSC



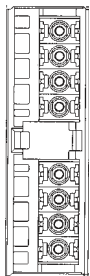
A
B
C
D

M-MSC-rev



E
F
G
H

L-MSC



A
B
C
D

E
F
G
H

| Row | z (1) | a | b (2) | c | d | e | f (1) | g | h | i (1) |
|----------|----------|---|----------|---|---|---|----------|---|---|----------|
| Column 1 | | | | | | | | | | |
| 2 | | | | | | | | | | |
| 3 | | | | | | | | | | |
| 4 | | | | | | | | | | |
| 5 | | | | | | | | | | |
| 6 | | | | | | | | | | |
| 7 | | | | | | | | | | |
| 8 | | | | | | | | | | |
| 9 | | | | | | | | | | |
| 10 | | | | | | | | | | |
| 11 | | | | | | | | | | |
| 12 | | | | | | | | | | |
| 13 | | | | | | | | | | |
| 14 | | | | | | | | | | |
| 15 | | | | | | | | | | |
| 16 | | | | | | | | | | |
| 17 | | | | | | | | | | |
| 18 | | | | | | | | | | |
| 19 | | | | | | | | | | |
| 20 | | | | | | | | | | |
| 21 | | | | | | | | | | |
| 22 | | | | | | | | | | |
| 23 | | | | | | | | | | |
| 24 | | | | | | | | | | |
| 25 | | | | | | | | | | |

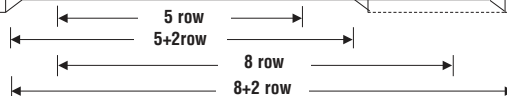
Use for Type C, Type F or Type M-MSC-rev. Connectors with 55 and 88 signal Contact Positions Respectively

Omit for Type A and Type D Connector

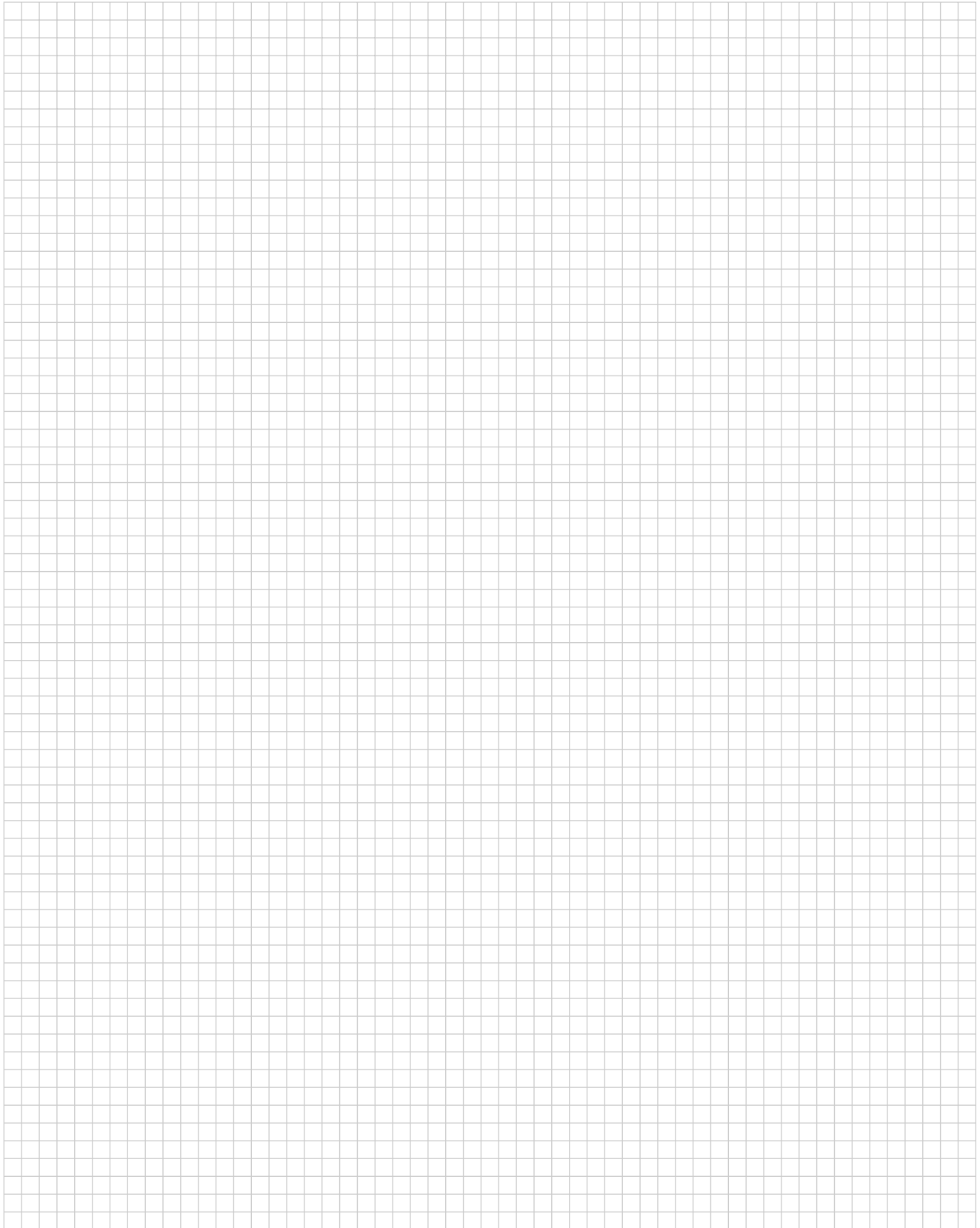
Start Here for Type M and Type M-MSC Connectors with 55 Signal Contact Positions

Continue for Type A, B, D and E Connectors

19 and 22 Column are for VME 64 and CompactPCI (5 Row only)



Engineering Notes



PC Board Layout for 5/5+2 row Type A, B, C, Connectors and Ground Return Shields

General Information

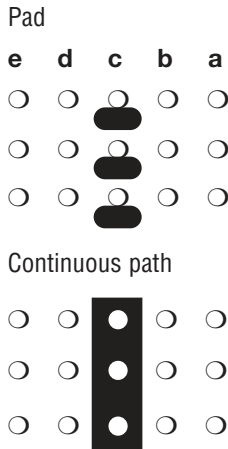
Layouts show connectors in a typical stacking arrangement on a 2 x 2 [.079 x .079] grid, with optional holes for ground return shields.

Card extender or cable connector and vertical female connectors use the same 5 row (a to e) layouts; ground return shields are not used with these types.

Right Angle Connectors

Standard Version uses the board layout as illustrated, right.

Reduced Crosstalk Version, with metal plates between columns of contacts, requires an additional pad (2.0 x 1.0 [.079 x .039]), or continuous path, connected via row c, to the system ground. Examples are shown below:



Symbols

Plated Through Holes:

- + Signal Contacts.
- Row f odd numbers for upper ground return shield.
- Row f even numbers for lower ground return shield.
- * Backplane rows z and f.

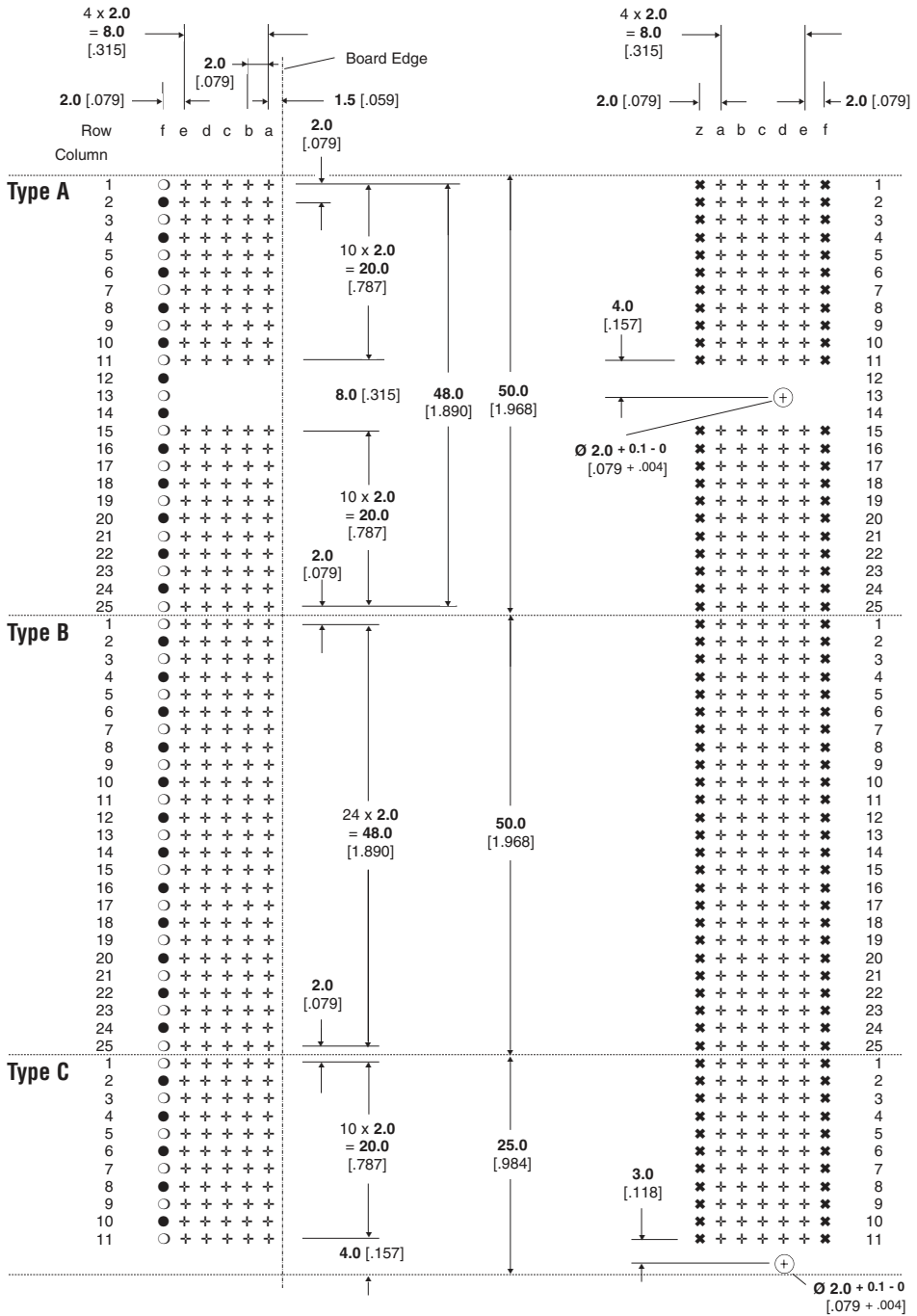
Non-plated Through Holes:

- ⊕ $\varnothing 2.0 + 0.1 - 0$ [.079 + .004] polarizing, location peg hole for press fit.

Right Angle Male and Female Connector Component Side

Note: For guidance only. Consult customer drawings for production layouts

Vertical Male and Female Connector Front Side



See page 9 for details of plated through holes.

PC Board Layout for Type L, M, N Connectors

General Information

Layouts show Type M, L, N connectors, for DIN contacts, in a typical stacking arrangement, including signal contacts on a 2 x 2 [.079 x .079] grid, with optional ground return shielding.

Female Connector Standard and Reduced Crosstalk versions, see examples on page 63.

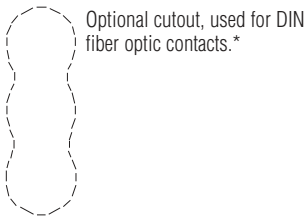
Symbols

Plated Through Holes:

- + Signal Contacts.
- Row **f** odd numbers for upper ground return shield.
- Row **f** even numbers for lower ground return shield.
- ✖ Backplane rows **z** and **f** for ground return shield contacts.
- ⊕ **1.3 + 0.1 - 0** [.051 + .004] plated through holes for board mount DIN high current or coaxial contacts. To be omitted for cable contacts.

Non-plated Through Holes:

- ⊕ **Ø 2.0 + 0.05 - 0** [.079 + .002] polarizing, location peg hole for press fit.
- **6.1 + 0.1 - 0** [.240 + .004] hole in fixed board, for DIN high current and coaxial contacts.*

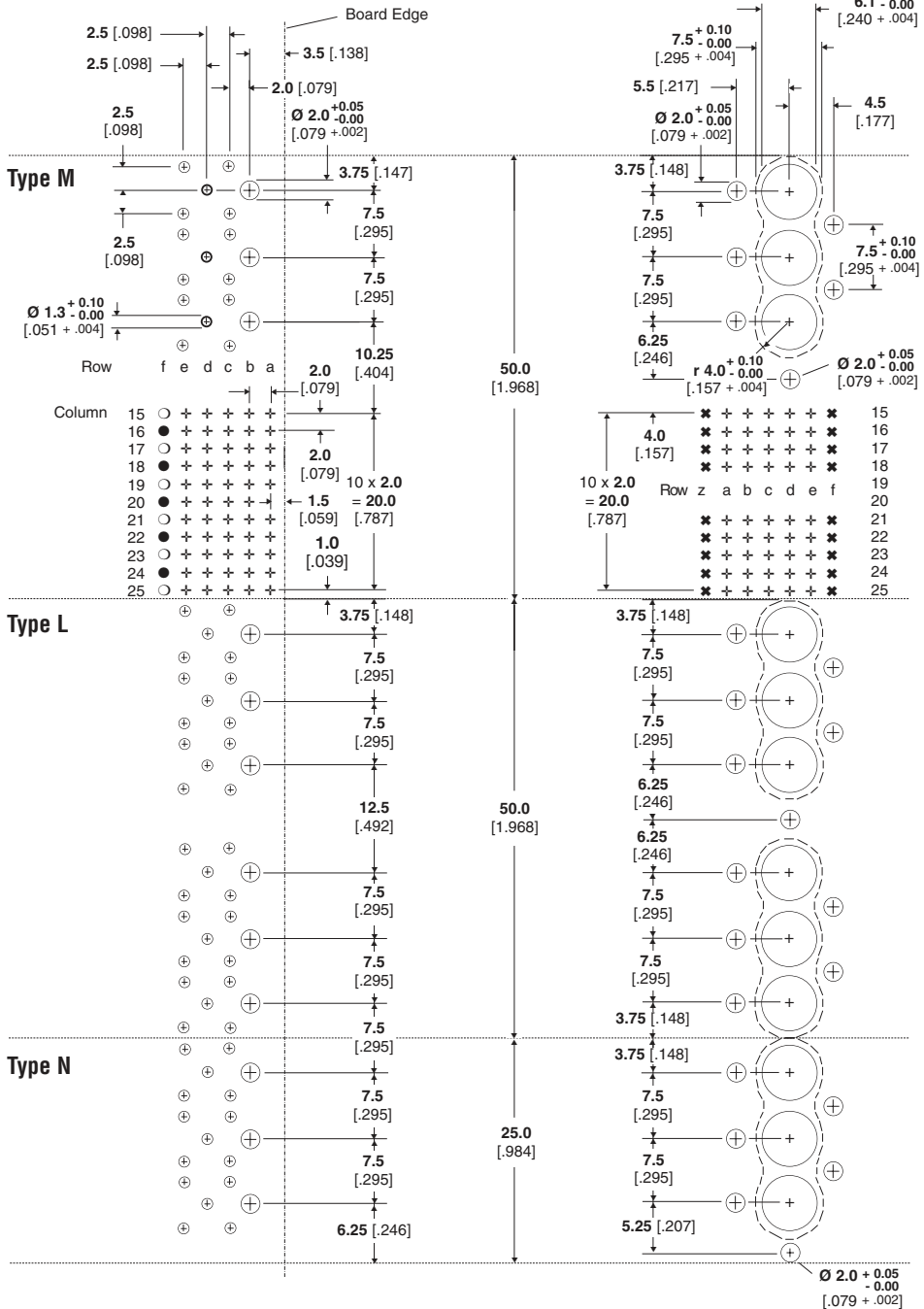


* For reference only, please refer to Power or Coax Contact customer drawing for correct hole pattern.

Right Angle Female Connectors Component Side

Note: For guidance only. Consult customer drawings for production layouts

Vertical Male Connector Front Side



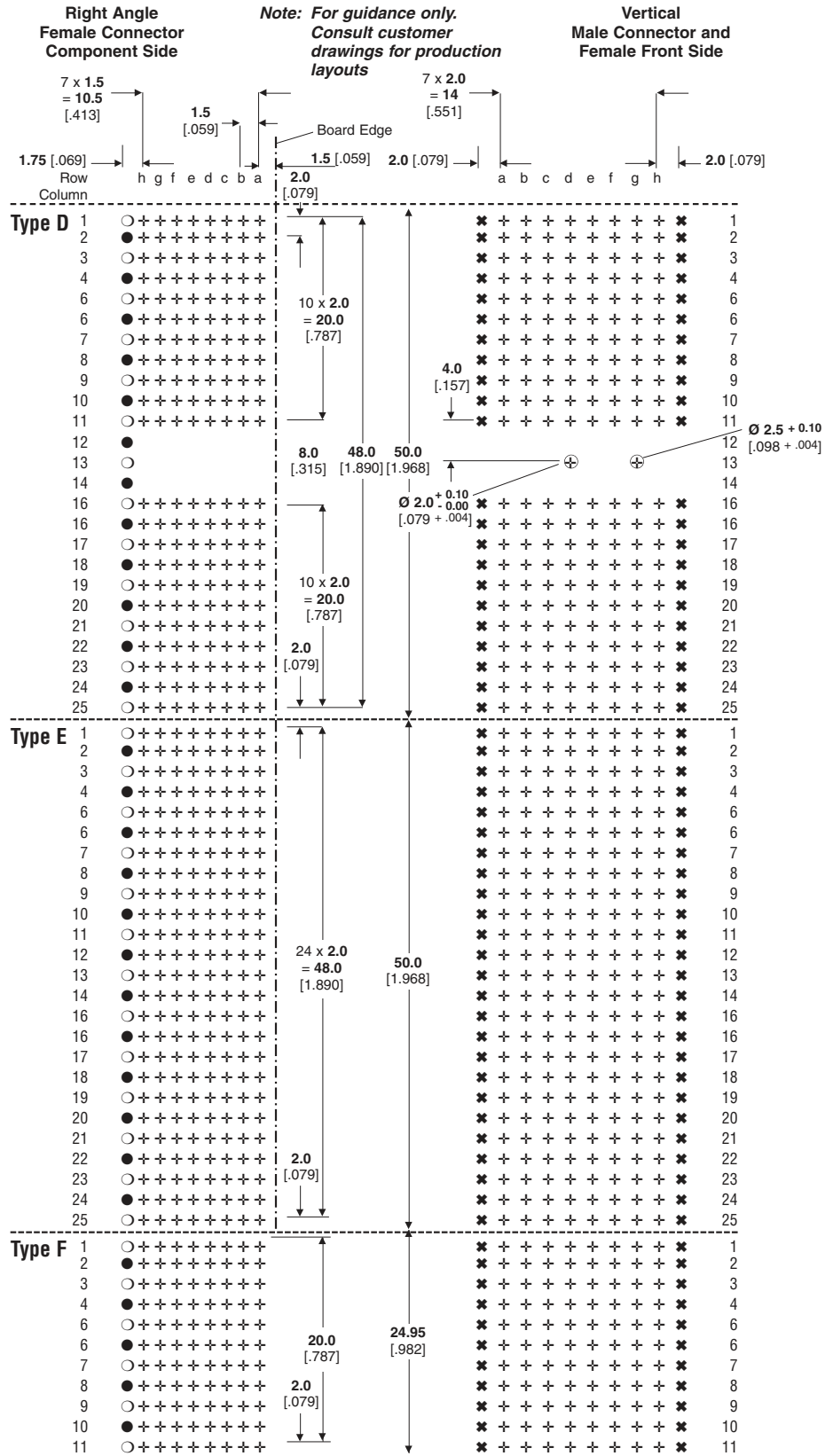
See page 9 for details of plated through holes.

PC Board Layout for Type D, E, F Connectors & Ground Return Shields

General Information

Layouts show connectors in a typical stacking arrangement with optional holes for ground return shields.

Pin headers have a 2.0 x 2.0 [.079 x .079] grid. Receptacles have a 2.0 x 1.5 [.079 x .059] grid for signal contacts with ground return shields spaced 1.75 [.069] from row h.



Symbols

Plated Through Holes:

+ Signal Contacts.

Non-plated Through Holes:

⊕ Ø 2.0 + 0.1 - 0 [.079 + .004] polarizing, location peg hole for press fit.

See page 9 for details of plated through holes.

PC Board Layout for Type M-MS-C-rev, L-MS-C Connectors

General Information

Layouts show MSC fiber optic connectors in a typical stacking arrangement, including signal contacts on a 2 x 2 [.079 x .079] grid, with optional ground return shielding.

Female Connector

Standard and Reduced Crosstalk versions, see examples on page 66.

Symbols

Plated Through Holes:

- + Signal Contacts.
- Row **f** odd numbers for upper ground return shield.
- Row **f** even numbers for lower ground return shield.
- * Backplane rows **z** and **f** for ground return shield contacts.

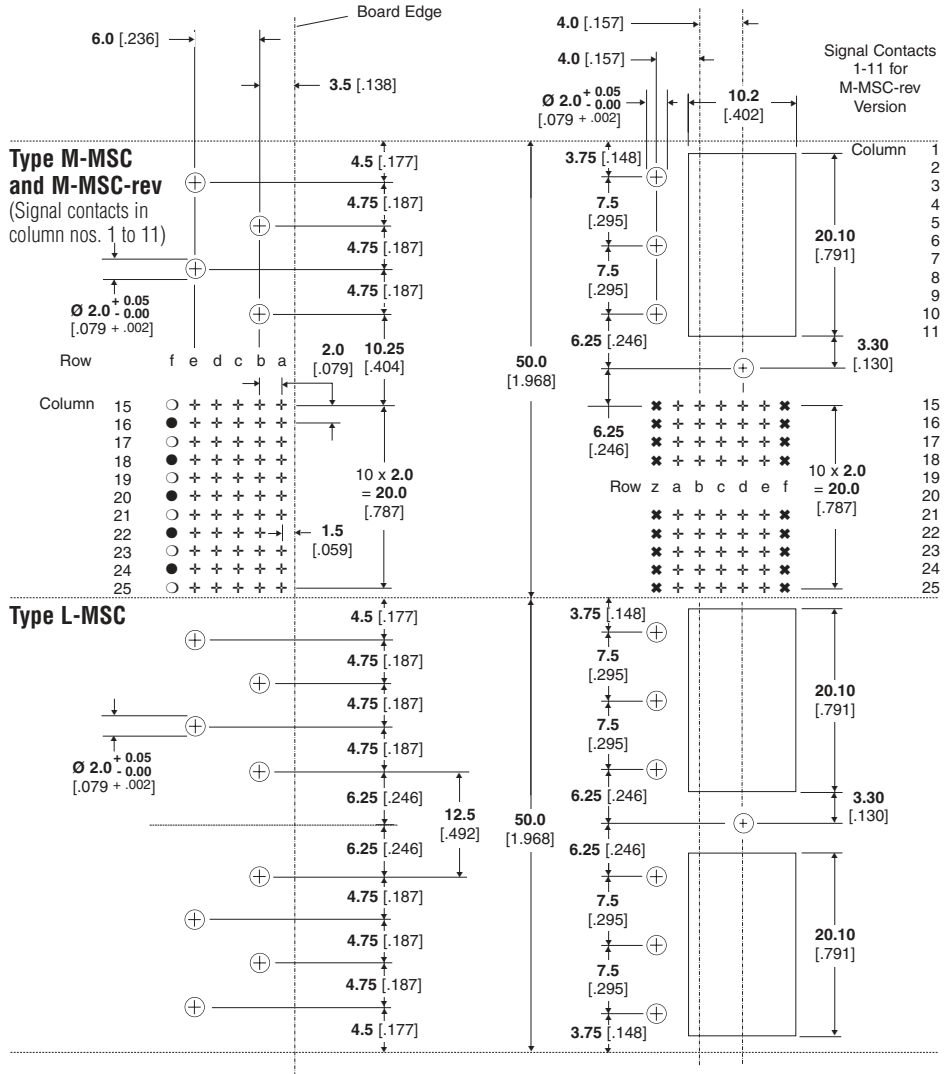
Non-plated Through Holes:

- ⊕ $\varnothing 2.0 + 0.05 - 0$ [.079 + .002] polarizing, location peg hole for press fit.
- Cutout.

Right Angle Female Connector Component Side

Note: For guidance only. Consult customer drawings for production layouts

Vertical Male Connector



See page 9 for details of plated through holes.

Connector Insertion Tooling — “Flat Rock Style”

There are two styles of connector insertion tooling available to suit different production needs.

- “Flat Rock” — tools are fitted to the connector and as such they are independent of insertion machine type or manufacturer. They are suitable for multiple connector insertion when used with a high force insertion machine.
- Quick Change — inserts are attached to the Tyco Electronics insertion machine. Adapters for other insertion machine manufacturers are possible.

All insertion machines can be supplied to suit local power supply conditions. The manual arbor frame is recommended for repair tasks.

Pneumatic and Hydraulic “Flat Rock” Seating Machines

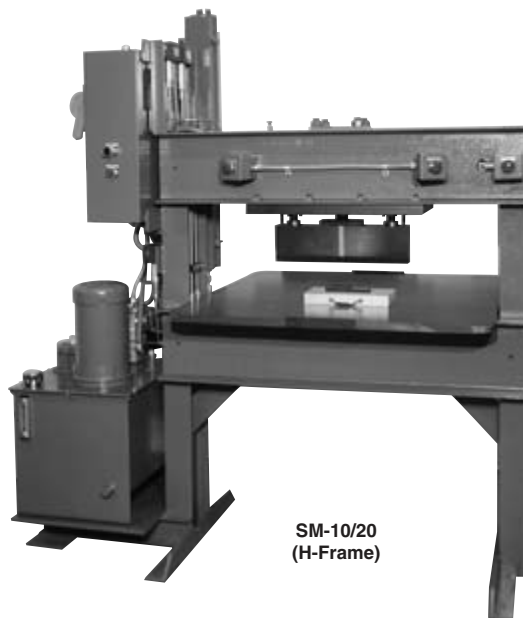
These machines are used with the tooling on page 75. They allow the fitting of multiple connectors per cycle, up to the limit of the machine capacity, and can be used with a variety of Tyco Electronics connectors.

**SM-3 Machine
Part Number 814700-2
(European CE Approved)
814700-5**

- Air powered bench machine
- Capacity of 26 700 N [6000 lb] (adequate for individual Z-PACK 2mm HM modules)
- Pressure response mode
- Cycle time is approximately 4 seconds
- Accommodates printed circuit boards up to 508 [20"] wide.
- Customer Manual 409-5626

**SM-10/20 Machine
Part Number 803880-6**

- Electric hydraulically-powered
- Capacity (selectable): 178 000 N [40 000 lb] or 89 000 N [20 000 lb]
- Accommodates printed circuit boards up to 711 [28"] wide



SM-10/20
(H-Frame)



SM-3

Connector Insertion Tooling — “Flat Rock Style” (Continued)

Female Connector Insertion

Same tooling used for unshielded right angle female and unshielded right angle male connectors.

Male Connector Insertion

Tooling is used for both male connectors and male shrouds in midplane arrangements.

Upper Insertion Tool

Exchangeable inserts to suit connector types; many inserts can be used for several applications.

Bar stock with a flat surface large enough to cover the top surface of right angle connectors and capable of exerting 67 N per pin.

Tooling for 5+2 row pin headers will also assemble 5 row headers, similarly tooling for 8+2 row pin headers will also assemble 8 row headers.

PC Board Support Anvils

For all connectors, board supports will be needed to allow the contact tails to pass freely into and through the board. Instruction sheets detail those supports.

Rear Shrouds

Shrouds used for mid-plane or cable connection to backplane rear are fitted to the feedthrough posts and pressed into position using the same tooling as for male connectors.

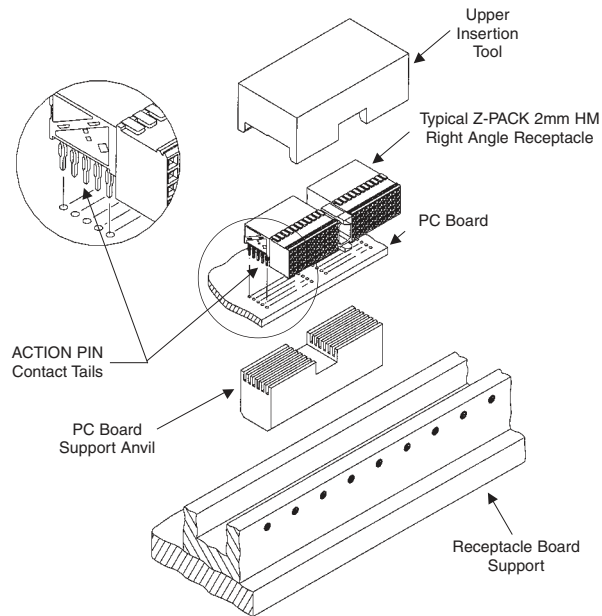
Shields

EMI/RFI shields and lower ground return shields are fitted over the connector after it is fitted to the board.

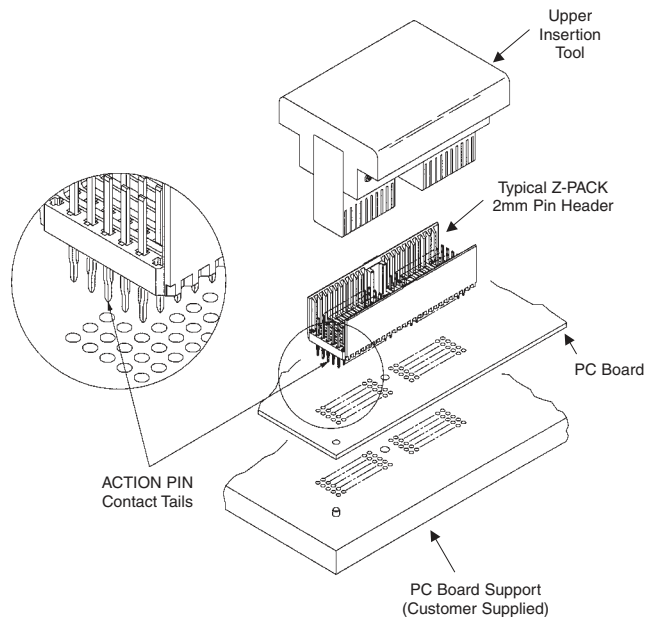
Instruction Sheets

For details of all the above, refer to the appropriate instruction sheet listed on page 75.

Female Connector Insertion



Male Connector Insertion



Connector Insertion Tooling — “Flat Rock Style” (Continued)

| Description | Part Number | | Instruction Sheet Number |
|---|-------------------------|-----------------|--------------------------|
| | Upper Insertion Tooling | Support Tooling | |
| Instruction sheet summary (with insertion information for most 2mm HM components) | — | — | 411-19305 |
| Upper and Lower Adapters for Tyco Electronics insertion machines. For all types | — | 679980-1/2/3 | 408-4038 |
| Vertical Males | | | |
| 5/5+2 row, Type A | 90753-1 | † | 408-9912 |
| 5/5+2 row, Type B | 90755-1 | † | 408-9914 |
| 5/5+2 row, Type B (19 columns) | 90755-3 | † | — |
| 5/5+2 row, Type B (22 columns) | 90755-2 | † | — |
| 5/5+2 row, Type C | 90757-1 | † | 408-9916 |
| 5/5+2 row, Type A/B | 91346-1 | † | 408-9912 |
| 5/5+2 row, Type A/B (19 columns) | 91346-3 | † | 408-9912 |
| 5/5+2 row, Type A/B (22 columns) | 91346-2 | † | 408-9912 |
| 8/8+2 row, Type D | 224671-2 | † | 408-4281 |
| 8/8+2 row, Type E | 224668-2 | † | 408-4282 |
| 8/8+2 row, Type F | 224668-3 | † | 408-4282 |
| 8/8+2 row, Type D/E | 91345-1 | † | 408-4281 |
| Right Angle Females - Unshielded | | | |
| Type A | 122559-1 | 122561-1 | 408-4216 |
| Type B | 122559-1 | 122561-1 | 408-4216 |
| Type C | 122559-1 | 122561-1* | 408-4216 |
| Type A/B | 122559-1 | 122561-1 | 408-4216 |
| Type D | 318866-1 | 318867-1 | 408-4304 |
| Type E | 318866-1 | 318867-1 | 408-4304 |
| Type F | 91326-1 | 318867-1* | 408-4304 |
| Type D/E | 318866-1 | 318867-1 | 408-4304 |
| Right Angle Females - Shielded | | | |
| Type A (except TDM J4) | 122562-1 | 122561-1 | 408-4382 |
| Type A for TDM J4 | 91316-1 | — | — |
| Type B | 122562-1 | 122561-1 | 408-4382 |
| Type B (19 columns) | 122562-1 | 122561-1* | 408-4382 |
| Type B (22 columns) | 122562-1 | 122561-1* | 408-4382 |
| Type C | 122562-1 | 122561-1* | 408-4382 |
| Type A/B | 122562-1 | 122561-1 | 408-4382 |
| Type A/B (19 columns) | 122562-1* | 122561-1* | 408-4382 |
| Type A/B (22 columns) | 122562-1* | 122561-1* | 408-4382 |
| Type D | 318868-1 | 318867-1 | 408-4430 |
| Type E | 318868-1 | 318867-1 | 408-4430 |
| Type F | 91327-1 | 318867-1 | 408-4430 |
| Type D/E | 318868-1 | 318867-1 | 408-4430 |
| Lower Shields | | | |
| Type A and B, Right Angle Female | 122563-1 | 122562-1 | 408-4383 |
| Type C and M, Right Angle Female | 122563-1 | 122562-1 | 408-4383 |
| Type A/B, Right Angle Female | 122563-1 | 122562-1 | 408-4383 |
| Type D and E, Right Angle Female | 318869-1 | 318868-1 | 408-4429 |
| Type F, Right Angle Female | 318869-1 | 318868-1 | 408-4429 |
| Type D/E, Right Angle Female | 318869-1 | 318868-1 | 408-4429 |

| Description | Part Number | | Instruction Sheet Number |
|--|-------------------------|-----------------|--------------------------|
| | Upper Insertion Tooling | Support Tooling | |
| Right Angle Males | | | |
| Type A | — | 122561-1 | 408-4216 |
| Type B | — | 122561-1 | 408-4216 |
| Type B (22 columns) | — | 122561-1* | 408-4216 |
| Type B (19 columns) | — | 122561-1* | 408-4216 |
| Type C | — | 122561-1* | 408-4216 |
| Type D | — | — | — |
| Type E | — | — | — |
| Vertical Females | | | |
| Type A | — | 122561-1 | — |
| Type B | — | 122561-1 | — |
| Type B (22 columns) | — | 122561-1* | — |
| Type B (19 columns) | — | 122561-1* | — |
| Type C | — | 122561-1* | — |
| Type D | — | — | — |
| Type E | — | — | — |
| Shrouds & Spacers | | | |
| Type A Shroud and Spacer | 90753-1 | 90753-1 | 408-9912 |
| Type A, One Piece Shroud | 90753-1 | 90753-1 | 408-9912 |
| Type B Shroud and Spacer | 90755-1 | 90755-1 | 408-9914 |
| Type B (19 columns) | 90755-3 | 90755-3 | 408-9914 |
| Type B (22 columns) | 90755-2 | 90755-3 | 408-9914 |
| Type B, One Piece Shroud | 90755-1 | 90755-1 | 408-9914 |
| Type AB, One Piece Shroud (19 columns) | — | 90753-1 | 408-9912 |
| Type AB, One Piece shroud (22 columns) | — | 90753-1 | 408-991 |
| Type C Shroud and Spacer | 90757-1 | 90757-1 | 408-9916 |
| Type C, One Piece Shroud | 90757-1 | 90757-1 | 408-9916 |
| Type D Shroud and Spacer | 224671-2 | — | 408-4281 |
| Type D/E, One Piece Shroud | 224671-2 | — | 408-4281 |
| Type E Shroud and Spacer | 224668-2 | — | 408-4282 |
| Type E, One Piece Shroud | 224668-2 | — | 408-4282 |
| Type F, One Piece Shroud | 224668-3 | — | 408-4282 |
| Universal Power Module | | | |
| Right Angle Male | 224441-1 | 224442-1 | 408-4280 |
| Vertical Female | 224421-1 | 217602-1 | 408-4169 |

* Tool length exceeds connector length; check that tool does not interfere with other components

† Customer Supplied

Contact Tyco Electronics Tooling Assistance Center at 1-800-722-1111 if tooling is not indicated.

Instruction Sheet

Repair Tool Part Number 354687-1

IS 408-9979

Type D, E One Piece Shroud Tool Part Number 224671-2

IS 408-4281

Connector Insertion Tooling — Quick Change

There are two styles of connector insertion tooling available to suit different production needs.

- Quick Change — inserts are attached to the insertion machine
- “Flat Rock” — tools are fitted to the connector and are suitable for multiple connector insertion when used with a high force insertion machine

All insertion machines can be supplied to suit local power supply conditions. The manual hand tool is recommended for repair tasks.

Quick Change

This tooling is designed so that it can be fitted to the machines. These tools allow the sequential fitting of connectors to the board by selection of the appropriate inserts. Fitting to other types of machines is possible by selecting adapters without the upper and lower adapter bars.

ICIM (Intelligent Connector Insertion Machine)

Part Number 67941-□

- Capacity of 27 500 N [6180 lb] with 5 bar air supply
- Force and stroke control (compensates for printed circuit board thickness)
- Fitted with an inhibitor (detects if the X-Y table is not aligned correctly)
- Detects faulty connector insertion
- X-Y tables optional
- Actual dash (-) number depends on voltage needed
- See catalog 889943 for more details

Pneumatic Insertion Machine

Part Number 677420-1

- Controllable insertion force from 0.5-25 000 N [.1-5620 lb]
- 250 [9.843] throat depth
- Moveable lower tool holder
- Manual X-Y table with adjustable stops
- Recommended for high volume production of backplanes and daughter-cards
- See catalog 889943 for more details

Pneumatic Insertion Machine (with circuit board support platform)

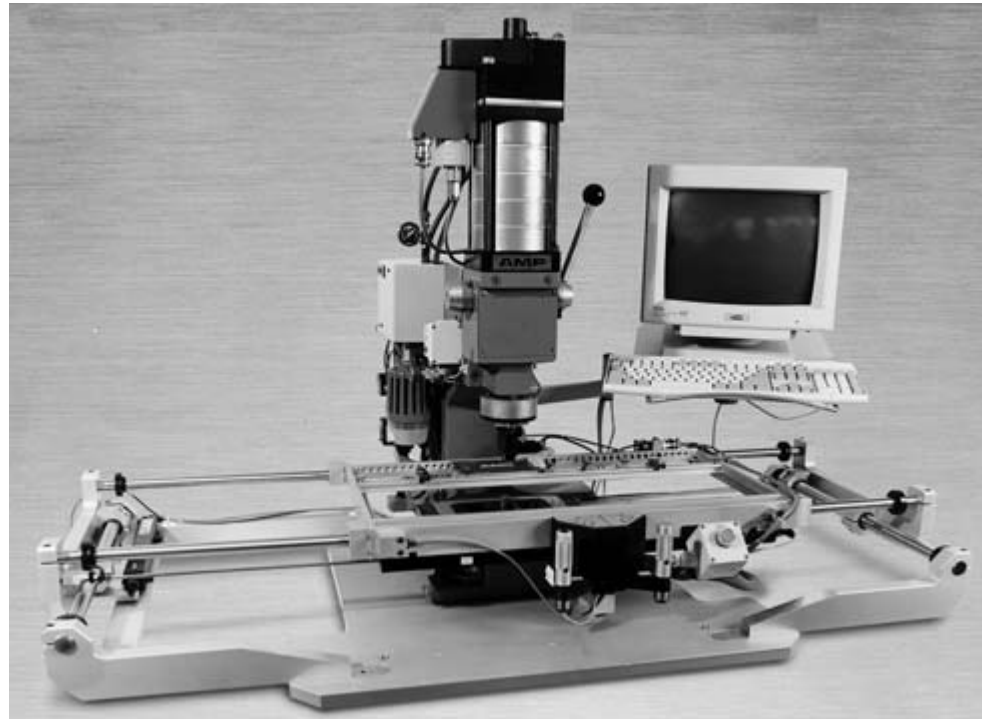
Part Number 677427-2

- Similar to Pneumatic Insertion Machine Part Number 677420-1 (above)
- X-Y table replaced with a circuit board support platform
- See catalog 889943 for more details

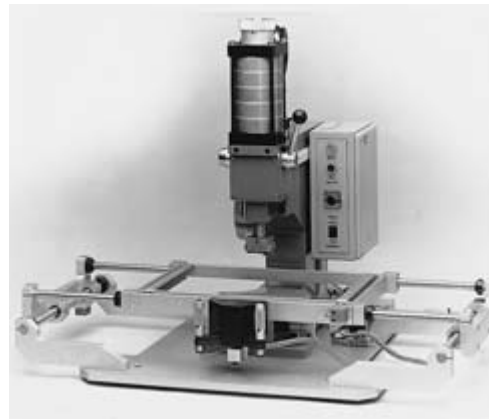
Manual Hand Tool

Part Number — 677430-2

- Insertion force 15 000 N [3370 lb]
- 125 [4.921] throat depth
- Fixed lower tooling and board support
- Low volume production
- Prototyping
- Use with repair tools



ICIM (Intelligent Connector Insertion Machine)



Pneumatic Insertion Machine



Pneumatic Insertion Machine (with Circuit Board Support Platform)



Hand Tool

Connector Insertion Tooling – Quick Change (Continued)

| Description | Part Number | | Instruction Sheet |
|---|-------------------|-----------------|-----------------------|
| | Insertion Tooling | Support Tooling | |
| Instruction sheet summary (with insertion information for most 2mm HM components) | | | 411-19305 |
| Upper and lower adapters for AMP insertion machines. For all types except L, M, N, L-MS C and M-MS C | | 679980-1/2/3 | 411-19306 408-4038 |
| Vertical Males | | | |
| 5/5+2 row, Type A | 438001-1 | 438051-1 | 411-19312 |
| 5/5+2 row, Type B | 438002-1 | 438051-1 | 411-19313 |
| 5/5+2 row, Type B (19 columns) | 438002-2 | 438051-4 | 411-19313 |
| 5/5+2 row, Type B (22 columns) | 438002-3 | 438051-6 | 411-19313 |
| 5/5+2 row, Type C | 438003-1 | 438051-2 | 411-19314 |
| 8/8+2 row, Type D | 438051-2 | 438051-3 | 411-19432 |
| 8/8+2 row, Type E | 439491-1 | 438051-3 | 411-19432 |
| 8/8+2 row, Type F | | | |
| Type L | 438001-1 | 438056-1 | 411-19315 |
| L-MS C | 438014-1 | 438056-1 | 411-19318 |
| Type M | 438001-1 | 438057-1 | 411-19316 |
| M-MS C | 438015-1 | 438057-1 | 411-19319 |
| M-MS C reverse | 438015-1 | 438057-1 | 411-19320 |
| Type N | 438003-1 | 438056-2 | 411-19317 |
| Right Angle Females - Unshielded | | | |
| Type A | 438031-1 | 438051-1 | 411-19324 |
| Type B | 438031-1 | 438051-1 | 411-19325 |
| Type C | 438032-1 | 438051-2 | 411-19326 |
| Type L | 438031-1 | 438052-1 | 411-19327 |
| L-MS C | 438070-1 | 438056-1 | 411-19330 |
| Type M | 438031-1 | 438054-1 | 411-19328 |
| M-MS C | 438072-1 | 438057-1 | 411-19331 |
| M-MS C reverse | 438071-1 | 438057-1 | 411-19332 |
| Type N | 438032-1 | 438052-2 | 411-19329 |
| Right Angle Females - Shielded | | | |
| Type A (except TDM J4) | 438036-1 | 438051-1 | 411-19334 |
| Type A for TDM J4 | 1115335-1 | 438051-1 | 411-19334 |
| Type B | 436036-1 | 438051-1 | 411-19334 |
| Type B (19 columns) | 438036-2 | 438051-4 | 411-19437 |
| Type B (22 columns) | 438036-3 | 438051-6 | 411-19437 |
| Type AB (19 columns) | 438036-2 | 438051-4 | 411-19437 |
| Type AB (22 columns) | 438036-3 | 438051-6 | 411-19437 |
| Type C | 438037-1 | 438051-2 | 411-19437 |
| Type D | 439491-1 | 438051-7 | 411-19351 |
| Type E | 439491-1 | 438051-7 | 411-19434 |
| Lower Shields | | | |
| Type A and B, Right Angle Female | 438041-† | 438053-1 | 411-19335 |
| Type C and M, Right Angle Female | 438042-† | 438053-2 | 411-19352 |

| Description | Part Number | | Instruction Sheet |
|-------------------------------------|-------------------|-----------------|-------------------|
| | Insertion Tooling | Support Tooling | |
| Right Angle Males | | | |
| Type A | 438031-1 | 438051-1 | 411-19344 |
| Type B | 438031-1 | 438051-1 | 411-19345 |
| Type B (22 columns) | 438036-2 | 438051-4 | 411-19345 |
| Type B (19 columns) | 438036-3 | 438051-6 | 411-19345 |
| Type C | 438032-1 | 438051-2 | 411-19346 |
| Vertical Females | | | |
| Type A | 438076-1 | 438051-1 | 411-19377 |
| Type B | 438076-1 | 438051-1 | 411-19377 |
| Type B (22 columns) | 438076-1* | 438051-4 | 411-19377 |
| Type B (19 columns) | 438076-1* | 438051-6 | 411-19377 |
| Type C | 438077-1 | 438051-2 | 411-19377 |
| Shrouds & Spacers | | | |
| Type A Shroud and Spacer | 438001-1 | 438058-1 | 411*19337 |
| Type B Shroud and Spacer | 438002-1 | 438058-1 | 411-19338 |
| Type B (19 column) | 438002-3 | 438058-1* | 411-19338 |
| Type B (22 column) | 438002-2 | 438058-1* | 411-19338 |
| Type B, One Piece Shroud | 438002-1 | 438058-1 | — |
| Type C Shroud and Spacer | 438003-1 | 438058-1 | 411-19339 |
| Type C, One Piece Shroud | 438003-1 | 438058-1 | — |
| EMI/RFI Shields | | | |
| EMI/RFI Right Angle Female, Upper | 438036-1 | 438051-1 | 411-19334 |
| EMI/RFI Right Angle Female, Lower | 438041-† | 438053-1 | 411-19335 |
| EMI/RFI Right Angle Female, Closing | 438023-1 | 438051-2 | 411-19336 |
| EMI/RFI Vertical Male, Sides | 438020-1 | 438051-1 | 411-19322 |
| EMI/RFI Vertical Male, Closing | 438021-1 | 438051-2 | 411-19323 |

† Part number suffix depends on application. See instruction sheet for details

*Tool length exceeds connector length; check that tool does not interfere with other components

Contact Tyco Electronics Tooling Assistance Center at 1-800-722-1111 if tooling is not indicated.

Non-RoHS to RoHS Compliant Part Number Cross Reference

| Non-RoHS Part No. | RoHS Compliant Part No. |
|-------------------|-------------------------|
| 21124-4 | 521124-4 |
| 100072-1 | 5100072-1 |
| 100073-1 | 5100073-1 |
| 100084-1 | 5100084-1 |
| 100085-1 | 5100085-1 |
| 100141-1 | 5100141-1 |
| 100143-1 | 5100143-1 |
| 100145-1 | 5100145-1 |
| 100147-1 | 5100147-1 |
| 100159-1 | 5100159-1 |
| 100161-1 | 5100161-1 |
| 100525-3 | 5100525-3 |
| 100525-9 | 5100525-9 |
| 2-100525-0 | 2-5100525-0 |
| 3-100525-2 | 3-5100525-2 |
| 5-100525-4 | 5-5100525-4 |
| 5-100525-6 | 5-5100525-6 |
| 5-100525-9 | 5-5100525-9 |
| 6-100525-1 | 6-5100525-1 |
| 6-100525-3 | 6-5100525-3 |
| 6-100525-9 | 6-5100525-9 |
| 100526-3 | 5100526-3 |
| 100526-9 | 5100526-9 |
| 2-100526-0 | 2-5100526-0 |
| 3-100526-2 | 3-5100526-2 |
| 5-100526-4 | 5-5100526-4 |
| 5-100526-6 | 5-5100526-6 |
| 5-100526-9 | 5-5100526-9 |
| 6-100526-1 | 6-5100526-1 |
| 6-100526-3 | 6-5100526-3 |
| 6-100526-9 | 6-5100526-9 |
| 100623-1 | 5100623-1 |
| 100624-1 | 5100624-1 |
| 100668-1 | 5100668-1 |
| 100669-1 | 5100669-1 |
| 100745-1 | 5100745-1 |
| 100746-1 | 5100746-1 |
| 100749-1 | 5100749-1 |
| 100750-1 | 5100750-1 |
| 100751-1 | 5100751-1 |
| 100752-1 | 5100752-1 |
| 100773-2 | 5100773-2 |
| 100773-3 | 5100773-3 |
| 100773-4 | 5100773-4 |
| 100773-5 | 5100773-5 |
| 100773-6 | 5100773-6 |
| 100773-7 | 5100773-7 |
| 106012-1 | 5106012-1 |
| 106014-1 | 5106014-1 |
| 1-106014-1 | 1-5106014-1 |
| 106015-1 | 5106015-1 |
| 106081-1 | 5106081-1 |
| 106137-2 | 5106137-2 |
| 106138-2 | 5106138-2 |
| 106164-1 | 5106164-1 |
| 106165-1 | 5106165-1 |
| 106182-2 | 5106182-2 |
| 106303-1 | 5106303-1 |
| 106326-1 | 5106326-1 |
| 106457-2 | 5106457-2 |
| 106457-3 | 5106457-3 |

| Non-RoHS Part No. | RoHS Compliant Part No. |
|-------------------|-------------------------|
| 106457-4 | 5106457-4 |
| 106457-5 | 5106457-5 |
| 106457-6 | 5106457-6 |
| 106457-7 | 5106457-7 |
| 106458-2 | 5106458-2 |
| 106458-3 | 5106458-3 |
| 106458-4 | 5106458-4 |
| 106458-5 | 5106458-5 |
| 106458-6 | 5106458-6 |
| 106458-7 | 5106458-7 |
| 106509-1 | 5106509-1 |
| 106510-1 | 5106510-1 |
| 106743-1 | 5106743-1 |
| 106744-1 | 5106744-1 |
| 106745-1 | 5106745-1 |
| 106746-1 | 5106746-1 |
| 106747-1 | 5106747-1 |
| 106748-1 | 5106748-1 |
| 106749-1 | 5106749-1 |
| 106750-1 | 5106750-1 |
| 106751-1 | 5106751-1 |
| 106752-1 | 5106752-1 |
| 106773-1 | 5106773-1 |
| 106774-1 | 5106774-1 |
| 106775-1 | 5106775-1 |
| 106781-1 | 5106781-1 |
| 106854-1 | 5106854-1 |
| 106855-1 | 5106855-1 |
| 106888-1 | 5106888-1 |
| 120912-1 | 5120912-1 |
| 120914-1 | 5120914-1 |
| 120953-1 | 5120953-1 |
| 120953-2 | 5120953-2 |
| 120953-3 | 5120953-3 |
| 120953-4 | 5120953-4 |
| 120953-5 | 5120953-5 |
| 148221-1 | 5148221-1 |
| 148248-1 | 5148248-1 |
| 148249-1 | 5148249-1 |
| 148250-1 | 5148250-1 |
| 148253-1 | 5148253-1 |
| 148254-1 | 5148254-1 |
| 148338-4 | 5148338-4 |
| 148342-1 | 5148342-1 |
| 148357-1 | 5148357-1 |
| 148358-1 | 5148358-1 |
| 148385-1 | 5148385-1 |
| 148386-1 | 5148386-1 |
| 148406-1 | 5148406-1 |
| 148407-1 | 5148407-1 |
| 148408-1 | 5148408-1 |
| 148409-1 | 5148409-1 |
| 148410-1 | 5148410-1 |
| 148410-1 | 5148410-1 |
| 148430-1 | 5148430-1 |
| 148431-1 | 5148431-1 |
| 148432-1 | 5148432-1 |
| 148433-1 | 5148433-1 |
| 148513-2 | 5148513-2 |
| 148546-1 | 5148546-1 |
| 148547-1 | 5148547-1 |

| Non-RoHS Part No. | RoHS Compliant Part No. |
|-------------------|-------------------------|
| 188215-1 | 5188215-1 |
| 188224-1 | 5188224-1 |
| 188637-1 | 5188637-1 |
| 188680-1 | 5188680-1 |
| 188680-3 | 5188680-3 |
| 188680-4 | 5188680-4 |
| 188680-5 | 5188680-5 |
| 188680-6 | 5188680-6 |
| 188680-7 | 5188680-7 |
| 188680-8 | 5188680-8 |
| 188681-1 | 5188681-1 |
| 188681-3 | 5188681-3 |
| 188681-4 | 5188681-4 |
| 188681-5 | 5188681-5 |
| 188681-6 | 5188681-6 |
| 188681-7 | 5188681-7 |
| 188681-8 | 5188681-8 |
| 188682-1 | 5188682-1 |
| 188682-3 | 5188682-3 |
| 188682-4 | 5188682-4 |
| 188682-5 | 5188682-5 |
| 188682-6 | 5188682-6 |
| 188682-7 | 5188682-7 |
| 188682-8 | 5188682-8 |
| 188683-1 | 5188683-1 |
| 188683-3 | 5188683-3 |
| 188683-4 | 5188683-4 |
| 188683-5 | 5188683-5 |
| 188683-6 | 5188683-6 |
| 188683-7 | 5188683-7 |
| 188683-8 | 5188683-8 |
| 188684-1 | 5188684-1 |
| 188684-3 | 5188684-3 |
| 188684-4 | 5188684-4 |
| 188684-5 | 5188684-5 |
| 188684-6 | 5188684-6 |
| 188684-7 | 5188684-7 |
| 188684-8 | 5188684-8 |
| 188834-1 | 5188834-1 |
| 188835-1 | 5188835-1 |
| 188836-1 | 5188836-1 |
| 188956-1 | 5188956-1 |
| 188956-3 | 5188956-3 |
| 188956-4 | 5188956-4 |
| 188956-5 | 5188956-5 |
| 188956-6 | 5188956-6 |
| 188956-7 | 5188956-7 |
| 188956-8 | 5188956-8 |
| 223938-1 | 5223938-1 |
| 223955-2 | 5223955-2 |
| 223956-1 | 5223956-1 |
| 223956-1 | 5223956-1 |
| 223957-1 | 5223957-1 |
| 223961-1 | 5223961-1 |
| 223962-1 | 5223962-1 |
| 223963-1 | 5223963-1 |
| 223964-1 | 5223964-1 |
| 223965-1 | 5223965-1 |
| 223967-1 | 5223967-1 |
| 223968-1 | 5223968-1 |
| 223969-1 | 5223969-1 |

| Non-RoHS Part No. | RoHS Compliant Part No. |
|-------------------|-------------------------|
| 223969-4 | 5223969-4 |
| 223969-7 | 5223969-7 |
| 223970-1 | 5223970-1 |
| 223971-1 | 5223971-1 |
| 223972-1 | 5223972-1 |
| 223974-1 | 5223974-1 |
| 223975-1 | 5223975-1 |
| 223979-1 | 5223979-1 |
| 223980-1 | 5223980-1 |
| 223981-1 | 5223981-1 |
| 223982-1 | 5223982-1 |
| 223983-1 | 5223983-1 |
| 223984-1 | 5223984-1 |
| 223985-1 | 5223985-1 |
| 223985-3 | 5223985-3 |
| 223986-1 | 5223986-1 |
| 223986-2 | 5223986-2 |
| 223986-3 | 5223986-3 |
| 223986-4 | 5223986-4 |
| 223986-5 | 5223986-5 |
| 223986-6 | 5223986-6 |
| 223986-7 | 5223986-7 |
| 223986-8 | 5223986-8 |
| 223989-1 | 5223989-1 |
| 223990-1 | 5223990-1 |
| 223991-1 | 5223991-1 |
| 223995-1 | 5223995-1 |
| 223995-2 | 5223995-2 |
| 223995-3 | 5223995-3 |
| 223995-4 | 5223995-4 |
| 223995-5 | 5223995-5 |
| 223996-1 | 5223996-1 |
| 233212-1 | 5233212-1 |
| 338108-2 | 5338108-2 |
| 338110-2 | 5338110-2 |
| 352009-1 | 5352009-1 |
| 352011-2 | 5352011-2 |
| 352011-2 | 5352011-2 |
| 352012-2 | 5352012-2 |
| 352012-3 | 5352012-3 |
| 352012-4 | 5352012-4 |
| 352012-5 | 5352012-5 |
| 352012-6 | 5352012-6 |
| 352012-7 | 5352012-7 |
| 352012-x | 5352012-x |
| 352029-2 | 5352029-2 |
| 352033-1 | 5352033-1 |
| 352033-1 | 5352033-1 |
| 352041-1 | 5352041-1 |
| 352041-3 | 5352041-3 |
| 352041-4 | 5352041-4 |
| 352041-5 | 5352041-5 |
| 352041-6 | 5352041-6 |
| 352041-7 | 5352041-7 |
| 352041-8 | 5352041-8 |
| 352049-1 | 5352049-1 |
| 352068-1 | 5352068-1 |
| 352068-1 | 5352068-1 |
| 352069-1 | 5352069-1 |
| 352096-1 | 5352096-1 |
| 352096-3 | 5352096-3 |

Non-RoHS to RoHS Compliant Part Number Cross Reference (Continued)

| Non-RoHS Part No. | RoHS Compliant Part No. | Non-RoHS Part No. | RoHS Compliant Part No. | Non-RoHS Part No. | RoHS Compliant Part No. | Non-RoHS Part No. | RoHS Compliant Part No. |
|-------------------|-------------------------|-------------------|-------------------------|-------------------|-------------------------|-------------------|-------------------------|
| 352096-4 | 5352096-4 | 352269-1 | 5352269-1 | 621412-6 | 5621412-6 | 646386-5 | 5646386-5 |
| 352096-5 | 5352096-5 | 352271-1 | 5352271-1 | 621412-7 | 5621412-7 | 646386-6 | 5646386-6 |
| 352096-6 | 5352096-6 | 352272-1 | 5352272-1 | 621412-8 | 5621412-8 | 646387-1 | 5646387-1 |
| 352096-7 | 5352096-7 | 1-352272-1 | 1-5352272-1 | 621720-2 | 5621720-2 | 646387-2 | 5646387-2 |
| 352096-8 | 5352096-8 | 352273-1 | 5352273-1 | 621720-3 | 5621720-3 | 646387-3 | 5646387-3 |
| 352112-2 | 5352112-2 | 352332-1 | 5352332-1 | 621720-4 | 5621720-4 | 646387-4 | 5646387-4 |
| 352112-2 | 5352112-2 | 352344-1 | 5352344-1 | 621720-5 | 5621720-5 | 646387-5 | 5646387-5 |
| 352115-1 | 5352115-1 | 352345-1 | 5352345-1 | 621720-6 | 5621720-6 | 646387-6 | 5646387-6 |
| 352121-1 | 5352121-1 | 352346-1 | 5352346-1 | 621720-7 | 5621720-7 | 646428-1 | 5646428-1 |
| 352121-3 | 5352121-3 | 352352-1 | 5352352-1 | 621891-1 | 5621891-1 | 646430-1 | 5646430-1 |
| 352121-4 | 5352121-4 | 352359-1 | 5352359-1 | 621891-2 | 5621891-2 | 646442-1 | 5646442-1 |
| 352121-5 | 5352121-5 | 352380-1 | 5352380-1 | 636120-1 | 5636120-1 | 646445-1 | 5646445-1 |
| 352121-6 | 5352121-6 | 352406-1 | 5352406-1 | 636120-2 | 5636120-2 | 646446-1 | 5646446-1 |
| 352121-7 | 5352121-7 | 352457-1 | 5352457-1 | 636120-3 | 5636120-3 | 646447-1 | 5646447-1 |
| 352121-8 | 5352121-8 | 352468-2 | 5352468-2 | 636171-1 | 5636171-1 | 646457-1 | 5646457-1 |
| 352127-1 | 5352127-1 | 352601-2 | 5352601-2 | 636171-2 | 5636171-2 | 646476-1 | 5646476-1 |
| 352129-2 | 5352129-2 | 352638-1 | 5352638-1 | 636171-3 | 5636171-3 | 646476-2 | 5646476-2 |
| 352129-3 | 5352129-3 | 352639-1 | 5352639-1 | 636171-4 | 5636171-4 | 646476-3 | 5646476-3 |
| 352129-4 | 5352129-4 | 352672-2 | 5352672-2 | 636171-5 | 5636171-5 | 646476-4 | 5646476-4 |
| 352129-5 | 5352129-5 | 352673-2 | 5352673-2 | 636171-6 | 5636171-6 | 646476-5 | 5646476-5 |
| 352129-6 | 5352129-6 | 352673-2 | 5352673-2 | 636207-1 | 5636207-1 | 646476-6 | 5646476-6 |
| 352129-7 | 5352129-7 | 352674-2 | 5352674-2 | 636207-2 | 5636207-2 | 646476-7 | 5646476-7 |
| 352130-2 | 5352130-2 | 352706-1 | 5352706-1 | 636207-3 | 5636207-3 | 646477-1 | 5646477-1 |
| 352131-1 | 5352131-1 | 352706-2 | 5352706-2 | 636207-4 | 5636207-4 | 646477-2 | 5646477-2 |
| 352152-1 | 5352152-1 | 352869-1 | 5352869-1 | 636207-5 | 5636207-5 | 646477-3 | 5646477-3 |
| 352152-1 | 5352152-1 | 532808-1 | 5532808-1 | 636207-6 | 5636207-6 | 646477-4 | 5646477-4 |
| 352167-1 | 5352167-1 | 532828-5 | 5532828-5 | 636208-1 | 5636208-1 | 646477-5 | 5646477-5 |
| 352167-2 | 5352167-2 | 533065-6 | 5533065-6 | 636208-2 | 5636208-2 | 646477-6 | 5646477-6 |
| 1-352167-1 | 1-5352167-1 | 620729-1 | 5620729-1 | 636208-3 | 5636208-3 | 646477-7 | 5646477-7 |
| 1-352167-2 | 1-5352167-2 | 620729-2 | 5620729-2 | 636208-4 | 5636208-4 | 646478-1 | 5646478-1 |
| 352168-1 | 5352168-1 | 620888-1 | 5620888-1 | 636208-5 | 5636208-5 | 646478-2 | 5646478-2 |
| 352168-2 | 5352168-2 | 620888-2 | 5620888-2 | 636208-6 | 5636208-6 | 646478-3 | 5646478-3 |
| 1-352168-1 | 1-5352168-1 | 620889-1 | 5620889-1 | 636209-1 | 5636209-1 | 646478-4 | 5646478-4 |
| 1-352168-2 | 1-5352168-2 | 620889-2 | 5620889-2 | 636209-2 | 5636209-2 | 646478-5 | 5646478-5 |
| 352171-1 | 5352171-1 | 620892-1 | 5620892-1 | 636209-3 | 5636209-3 | 646478-6 | 5646478-6 |
| 352171-1 | 5352171-1 | 621275-1 | 5621275-1 | 636209-4 | 5636209-4 | 646478-7 | 5646478-7 |
| 352171-1 | 5352171-1 | 621275-2 | 5621275-2 | 636209-5 | 5636209-5 | 646479-1 | 5646479-1 |
| 352177-1 | 5352177-1 | 621275-3 | 5621275-3 | 636209-6 | 5636209-6 | 646479-2 | 5646479-2 |
| 352196-1 | 5352196-1 | 621275-5 | 5621275-5 | 636210-1 | 5636210-1 | 646479-3 | 5646479-3 |
| 352196-3 | 5352196-3 | 621275-6 | 5621275-6 | 636210-2 | 5636210-2 | 646479-4 | 5646479-4 |
| 352196-4 | 5352196-4 | 621275-7 | 5621275-7 | 636210-3 | 5636210-3 | 646479-5 | 5646479-5 |
| 352196-5 | 5352196-5 | 621408-1 | 5621408-1 | 636210-4 | 5636210-4 | 646479-6 | 5646479-6 |
| 352196-6 | 5352196-6 | 621408-2 | 5621408-2 | 636210-5 | 5636210-5 | 646479-7 | 5646479-7 |
| 352196-7 | 5352196-7 | 621408-3 | 5621408-3 | 636210-6 | 5636210-6 | 646480-1 | 5646480-1 |
| 352196-8 | 5352196-8 | 621408-4 | 5621408-4 | 646273-1 | 5646273-1 | 646480-2 | 5646480-2 |
| 352199-1 | 5352199-1 | 621409-1 | 5621409-1 | 646274-1 | 5646274-1 | 646480-3 | 5646480-3 |
| 352199-3 | 5352199-3 | 621409-2 | 5621409-2 | 646345-1 | 5646345-1 | 646480-4 | 5646480-4 |
| 352199-4 | 5352199-4 | 621409-3 | 5621409-3 | 646346-1 | 5646346-1 | 646480-5 | 5646480-5 |
| 352199-5 | 5352199-5 | 621409-4 | 5621409-4 | 646347-1 | 5646347-1 | 646480-6 | 5646480-6 |
| 352199-6 | 5352199-6 | 621410-1 | 5621410-1 | 646356-1 | 5646356-1 | 646480-7 | 5646480-7 |
| 352199-7 | 5352199-7 | 621410-3 | 5621410-3 | 646357-1 | 5646357-1 | 646481-1 | 5646481-1 |
| 352199-8 | 5352199-8 | 621410-4 | 5621410-4 | 646362-1 | 5646362-1 | 646481-2 | 5646481-2 |
| 352200-1 | 5352200-1 | 621410-5 | 5621410-5 | 646370-1 | 5646370-1 | 646481-3 | 5646481-3 |
| 352200-3 | 5352200-3 | 621411-1 | 5621411-1 | 646372-1 | 5646372-1 | 646481-4 | 5646481-4 |
| 352200-4 | 5352200-4 | 621411-2 | 5621411-2 | 646373-1 | 5646373-1 | 646481-5 | 5646481-5 |
| 352200-5 | 5352200-5 | 621411-3 | 5621411-3 | 646375-1 | 5646375-1 | 646481-6 | 5646481-6 |
| 352200-6 | 5352200-6 | 621411-4 | 5621411-4 | 646376-1 | 5646376-1 | 646481-7 | 5646481-7 |
| 352200-7 | 5352200-7 | 621411-5 | 5621411-5 | 646386-1 | 5646386-1 | 646481-x | 5646481-x |
| 352200-8 | 5352200-8 | 621412-2 | 5621412-2 | 646386-2 | 5646386-2 | 646482-1 | 5646482-1 |
| 352268-1 | 5352268-1 | 621412-4 | 5621412-4 | 646386-3 | 5646386-3 | 646482-2 | 5646482-2 |
| 352269-1 | 5352269-1 | 621412-5 | 5621412-5 | 646386-4 | 5646386-4 | 646482-3 | 5646482-3 |

Non-RoHS to RoHS Compliant Part Number Cross Reference (Continued)

| Non-RoHS Part No. | RoHS Compliant Part No. | Non-RoHS Part No. | RoHS Compliant Part No. | Non-RoHS Part No. | RoHS Compliant Part No. | Non-RoHS Part No. | RoHS Compliant Part No. |
|-------------------|-------------------------|-------------------|-------------------------|-------------------|-------------------------|-------------------|-------------------------|
| 646482-4 | 5646482-4 | 646525-1 | 5646525-1 | 646726-2 | 5646726-2 | 646958-1 | 5646958-1 |
| 646482-5 | 5646482-5 | 646525-2 | 5646525-2 | 646726-3 | 5646726-3 | 646959-1 | 5646959-1 |
| 646482-6 | 5646482-6 | 646525-3 | 5646525-3 | 646726-4 | 5646726-4 | 646960-1 | 5646960-1 |
| 646482-7 | 5646482-7 | 646525-4 | 5646525-4 | 646726-5 | 5646726-5 | 646961-1 | 5646961-1 |
| 646483-1 | 5646483-1 | 646525-5 | 5646525-5 | 646726-6 | 5646726-6 | 953383-1 | 5953383-1 |
| 646483-2 | 5646483-2 | 646525-6 | 5646525-6 | 646726-7 | 5646726-7 | 953384-1 | 5953384-1 |
| 646483-3 | 5646483-3 | 646525-7 | 5646525-7 | 646726-8 | 5646726-8 | 953385-1 | 5953385-1 |
| 646483-4 | 5646483-4 | 646529-1 | 5646529-1 | 646728-1 | 5646728-1 | 953386-1 | 5953386-1 |
| 646483-5 | 5646483-5 | 646530-1 | 5646530-1 | 646729-1 | 5646729-1 | 986794-1 | 5986794-1 |
| 646483-6 | 5646483-6 | 646530-1 | 5646530-1 | 646730-1 | 5646730-1 | 1206073-1 | 6206073-1 |
| 646483-7 | 5646483-7 | 646532-1 | 5646532-1 | 646731-1 | 5646731-1 | 1206074-1 | 6206074-1 |
| 646484-1 | 5646484-1 | 646533-1 | 5646533-1 | 646732-1 | 5646732-1 | 1206075-1 | 6206075-1 |
| 646484-2 | 5646484-2 | 646533-1 | 5646533-1 | 646732-1 | 5646732-1 | 1206076-1 | 6206076-1 |
| 646484-3 | 5646484-3 | 646534-1 | 5646534-1 | 646734-1 | 5646734-1 | 1206077-1 | 6206077-1 |
| 646484-4 | 5646484-4 | 646535-1 | 5646535-1 | 646735-1 | 5646735-1 | 1206078-1 | 6206078-1 |
| 646484-5 | 5646484-5 | 646538-1 | 5646538-1 | 646735-1 | 5646735-1 | 1345007-1 | 6345007-1 |
| 646484-6 | 5646484-6 | 646539-1 | 5646539-1 | 646736-1 | 5646736-1 | 1345008-1 | 6345008-1 |
| 646484-7 | 5646484-7 | 646540-1 | 5646540-1 | 646737-1 | 5646737-1 | 1392175-1 | 6392175-1 |
| 646486-1 | 5646486-1 | 646547-1 | 5646547-1 | 646759-1 | 5646759-1 | 1393589-1 | 6393589-1 |
| 646487-1 | 5646487-1 | 646572-1 | 5646572-1 | 646773-1 | 5646773-1 | 1393589-3 | 6393589-3 |
| 646488-1 | 5646488-1 | 646573-1 | 5646573-1 | 646858-1 | 5646858-1 | 1393589-5 | 6393589-5 |
| 646488-1 | 5646488-1 | 646574-1 | 5646574-1 | 646886-1 | 5646886-1 | 1393589-7 | 6393589-7 |
| 646489-1 | 5646489-1 | 646576-1 | 5646576-1 | 646938-1 | 5646938-1 | 1393589-9 | 6393589-9 |
| 646489-1 | 5646489-1 | 646576-2 | 5646576-2 | 646948-1 | 5646948-1 | 1-1393589-1 | 1-6393589-1 |
| 646492-1 | 5646492-1 | 646576-3 | 5646576-3 | 646949-1 | 5646949-1 | 1-1393589-4 | 1-6393589-4 |
| 646493-1 | 5646493-1 | 646576-4 | 5646576-4 | 646950-1 | 5646950-1 | 2-1393589-7 | 2-6393589-7 |
| 646502-1 | 5646502-1 | 646576-5 | 5646576-5 | 646951-1 | 5646951-1 | 3-1393589-5 | 3-6393589-5 |
| 646502-2 | 5646502-2 | 646576-6 | 5646576-6 | 646952-1 | 5646952-1 | 1-1393662-2 | 1-6393662-2 |
| 646502-3 | 5646502-3 | 646576-7 | 5646576-7 | 646953-1 | 5646953-1 | 1612872-1 | 6612872-1 |
| 646502-4 | 5646502-4 | 646703-1 | 5646703-1 | 646954-1 | 5646954-1 | 1612877-1 | 6612877-1 |
| 646513-1 | 5646513-1 | 646704-1 | 5646704-1 | 646955-1 | 5646955-1 | 1612913-1 | 6612913-1 |
| 646514-1 | 5646514-1 | 646709-1 | 5646709-1 | 646956-1 | 5646956-1 | 1674156-1 | 6674156-1 |
| 646515-1 | 5646515-1 | 646726-1 | 5646726-1 | 646957-1 | 5646957-1 | | |

Part Number Index

Note: This index lists all cataloged parts by base no. only. Complete part nos. (with prefixes and/or suffixes) are shown on the page(s) indicated.

| Part No. | Page | Part No. | Page | Part No. | Page |
|----------|--------|----------|------|----------|------------|
| 21124 | 57 | 148250 | 38 | 223996 | 53 |
| 100072 | 38 | 148253 | 40 | 233212 | 45 |
| 100073 | 38 | 148254 | 39 | 338108 | 15 |
| 100084 | 38 | 148338 | 39 | 338110 | 15 |
| 100085 | 38 | 148342 | 40 | 352009 | 15 |
| 100141 | 10 | 148357 | 38 | 352011 | 29, 48 |
| 100143 | 10 | 148358 | 38 | 352012 | 30, 48 |
| 100145 | 15 | 148385 | 39 | 352029 | 15 |
| 100147 | 15 | 148386 | 40 | 352033 | 48, 49 |
| 100159 | 10 | 148406 | 38 | 352041 | 61 |
| 100161 | 15 | 148407 | 38 | 352049 | 34 |
| 100525 | 47 | 148408 | 38 | 352068 | 15, 49 |
| 100526 | 47 | 148409 | 38 | 352069 | 15 |
| 100623 | 15 | 148410 | 38 | 352096 | 61 |
| 100624 | 15 | 148430 | 38 | 352112 | 15, 36 |
| 100668 | 10 | 148431 | 38 | 352115 | 15 |
| 100669 | 10 | 148432 | 38 | 352121 | 61 |
| 100745 | 34 | 148433 | 38 | 352127 | 48 |
| 100746 | 36 | 148513 | 38 | 352129 | 30 |
| 100749 | 34 | 148546 | 38 | 352130 | 29 |
| 100750 | 36 | 148547 | 38 | 352131 | 25 |
| 100751 | 34 | 188215 | 36 | 352152 | 15, 49 |
| 100752 | 36 | 188224 | 15 | 352167 | 60 |
| 100773 | 30 | 188637 | 10 | 352168 | 60 |
| 106012 | 25 | 188680 | 61 | 352171 | 15, 48, 49 |
| 106014 | 25, 64 | 188681 | 61 | 352177 | 36 |
| 106015 | 25 | 188682 | 61 | 352196 | 61 |
| 106081 | 10 | 188683 | 61 | 352199 | 61 |
| 106137 | 29 | 188684 | 61 | 352200 | 61 |
| 106138 | 29 | 188834 | 49 | 352268 | 27 |
| 106164 | 10 | 188835 | 49 | 352269 | 27, 48 |
| 106165 | 10 | 188836 | 15 | 352271 | 25 |
| 106182 | 29 | 188956 | 61 | 352272 | 25, 64 |
| 106303 | 10 | 223938 | 52 | 352273 | 25 |
| 106326 | 34 | 223955 | 51 | 352332 | 49 |
| 106457 | 30 | 223956 | 55 | 352344 | 15 |
| 106458 | 30 | 223957 | 55 | 352345 | 15 |
| 106509 | 10 | 223961 | 52 | 352346 | 15 |
| 106510 | 10 | 223962 | 52 | 352352 | 49 |
| 106743 | 41 | 223963 | 52 | 352359 | 49 |
| 106744 | 43 | 223964 | 52 | 352380 | 36 |
| 106745 | 41 | 223965 | 52 | 352406 | 25 |
| 106746 | 43 | 223967 | 52 | 352457 | 27 |
| 106747 | 41 | 223968 | 52 | 352468 | 15 |
| 106748 | 43 | 223969 | 55 | 352601 | 62 |
| 106749 | 45 | 223970 | 52 | 352638 | 10 |
| 106750 | 45 | 223971 | 52 | 352639 | 10 |
| 106751 | 46 | 223972 | 52 | 352672 | 62 |
| 106752 | 46 | 223974 | 52 | 352673 | 48, 62 |
| 106773 | 27 | 223975 | 52 | 352674 | 62 |
| 106774 | 27 | 223979 | 55 | 352706 | 62 |
| 106775 | 27 | 223980 | 52 | 352869 | 10 |
| 106781 | 45 | 223981 | 52 | 532808 | 16 |
| 106854 | 41 | 223982 | 55 | 532828 | 57 |
| 106855 | 41 | 223983 | 52 | 533065 | 57 |
| 106888 | 45 | 223984 | 51 | 620729 | 63 |
| 120912 | 52 | 223985 | 56 | 620888 | 61 |
| 120914 | 52 | 223986 | 56 | 620889 | 61 |
| 120953 | 54 | 223989 | 52 | 620892 | 61 |
| 148221 | 38 | 223990 | 52 | 621275 | 61 |
| 148248 | 38 | 223991 | 52 | 621408 | 61 |
| 148249 | 38 | 223995 | 54 | 621409 | 61 |

Part Number Index (Continued)

| Part No. | Page |
|----------|------|
| 621410 | 61 |
| 621411 | 61 |
| 621412 | 61 |
| 621720 | 61 |
| 621891 | 61 |
| 636120 | 64 |
| 636171 | 61 |
| 636207 | 61 |
| 636208 | 61 |
| 636209 | 61 |
| 636210 | 61 |
| 646273 | 57 |
| 646274 | 57 |
| 646345 | 29 |
| 646346 | 16 |
| 646347 | 16 |
| 646356 | 16 |
| 646357 | 16 |
| 646362 | 16 |
| 646370 | 29 |
| 646372 | 16 |
| 646373 | 16 |
| 646375 | 16 |
| 646376 | 16 |
| 646386 | 30 |
| 646387 | 30 |
| 646428 | 19 |
| 646430 | 19 |
| 646442 | 19 |
| 646445 | 19 |

| Part No. | Page |
|----------|--------|
| 646446 | 19 |
| 646447 | 19 |
| 646457 | 16 |
| 646476 | 32 |
| 646477 | 32 |
| 646478 | 32 |
| 646479 | 32 |
| 646480 | 32 |
| 646481 | 32, 48 |
| 646482 | 32 |
| 646483 | 32 |
| 646484 | 32 |
| 646486 | 19 |
| 646487 | 19 |
| 646488 | 13, 49 |
| 646489 | 13, 49 |
| 646492 | 19 |
| 646493 | 19 |
| 646502 | 33 |
| 646513 | 16 |
| 646514 | 16 |
| 646515 | 16 |
| 646525 | 32 |
| 646529 | 11 |
| 646530 | 11, 50 |
| 646532 | 50 |
| 646533 | 11, 50 |
| 646534 | 50 |
| 646535 | 11 |
| 646538 | 24 |

| Part No. | Page |
|----------|--------|
| 646539 | 24 |
| 646540 | 24 |
| 646547 | 13 |
| 646572 | 13 |
| 646573 | 13 |
| 646574 | 13 |
| 646576 | 32 |
| 646703 | 34 |
| 646704 | 34 |
| 646709 | 34 |
| 646726 | 32 |
| 646726 | 32 |
| 646728 | 21 |
| 646729 | 18 |
| 646730 | 34 |
| 646731 | 11 |
| 646732 | 11, 50 |
| 646734 | 50 |
| 646735 | 11, 50 |
| 646736 | 50 |
| 646737 | 11 |
| 646759 | 21 |
| 646773 | 24 |
| 646858 | 34 |
| 646886 | 34 |
| 646938 | 11 |
| 646948 | 11 |
| 646949 | 11 |
| 646950 | 11 |
| 646951 | 18 |

| Part No. | Page |
|----------|------|
| 646952 | 18 |
| 646953 | 18 |
| 646954 | 53 |
| 646955 | 53 |
| 646956 | 53 |
| 646957 | 53 |
| 646958 | 53 |
| 646959 | 53 |
| 646960 | 53 |
| 646961 | 53 |
| 953383 | 61 |
| 953384 | 61 |
| 953385 | 61 |
| 953386 | 61 |
| 986794 | 57 |
| 1206073 | 45 |
| 1206074 | 45 |
| 1206075 | 45 |
| 1206076 | 45 |
| 1206077 | 46 |
| 1206078 | 46 |
| 1345007 | 15 |
| 1345008 | 15 |
| 1392175 | 10 |
| 1393589 | 38 |
| 1393662 | 40 |
| 1612872 | 22 |
| 1612877 | 22 |
| 1612913 | 22 |
| 1674156 | 22 |

Americas

Argentina – Buenos Aires
Phone: +54-11-4733-2200
Fax: +54-11-4733-2211

Brasil – São Paulo
Phone: +55-11-3611-1311
Fax: +55-11-3611-0397

Canada – Markham
Phone: +905-475-6222
Fax: +905-474-5520
**Product Information Center:
(Technical Support)**
Phone: +905-470-4425
Fax: +905-474-5525

Colombia – Bogota
Phone: +57-1-231-9398
Fax: +57-1-660-0206

Mexico – Mexico City
Phone: +52-5-729-0400
Fax: +52-5-361-8545

United States – Harrisburg, PA
Phone: +717-564-0100
Fax: +717-986-7575
**Product Information Center:
(Technical Support)**
Phone: +800-522-6752
Fax: +717-986-7575

**For Latin/South American
Countries not shown**
Phone: +54-11-4733-2015
Fax: +54-11-4733-2083

Asia/Pacific

Australia – Sydney
Phone: +61-2-9554-2600
Fax: +61-2-9502-2556
**Product Information Center:
(Technical Support)**
Phone: +61-2-9840-8200
Fax: +61-2-9634-6188

India – Bangalore
Phone: +91-80-285-40800
Fax: +91-80-285-40820

Indonesia – Jakarta
Phone: +65-6482-0311
Fax: +65-6482-1012

Japan – Toyko
Phone: +81-44-844-8111
Fax: +81-44-812-3207
**Product Information Center:
(Technical Support)**
Phone: +81-44-844-8013
Fax: +81-44-812-3200
Raychem Products
Phone: +81-44-900-5102
Fax: +81-44-5025-5027

Korea – Seoul
Phone: +82-2-3415-4500
Fax: +82-2-3486-3810

Malaysia – Kuala Lumpur
Phone: +60-3-78053055
Fax: +60-3-78053066

New Zealand – Auckland
Phone: +64-9-634-4580
Fax: +64-9-634-4586

Philippines – Makati City
Phone: +632-848-0171
Fax: +632-867-8661

People's Republic of China
Hong Kong
Phone: +852-2735-1628
Fax: +852-2735-0243

Shanghai
Phone: +86-21-53838188/64850602
Fax: +86-21-53838018/54260180

Shunde
Phone: +86-765-775-1368
Fax: +86-765-775-2823

Europe/Middle East/Africa

Austria – Vienna
Phone: +43-190-560-0
Fax: +43-190-560-1333

Belgium – Kessel-Lo
Phone: +32-16-35-23-00
Fax: +32-16-35-23-52

Bulgaria – Sofia
Phone: +359-2-971-2152
Fax: +359-2-971-2153

Czech Republic – Kurim
Phone: +420-5-41-162-111
Fax: +420-5-41-162-223

Denmark – Viby J
Phone: +45-70-15-52-00
Fax: +45-43-44-14-14

Egypt – Cairo
Phone: +20-2-417-76-47
Fax: +20-2-419-23-34

Estonia – Tallinn
Phone: +372-65-05-474
Fax: +372-65-05-470

Finland – Helsinki
Phone: +358-95-12-34-20
Fax: +358-95-12-34-250

France –
Cergy-Pontoise
Phone: +33-1-3420-8888
Fax: +33-1-3420-8600
**Product Information Center:
(Technical Support)**
Phone: +33-1-3420-8943
Fax: +33-1-3420-8623

France
Tyco Electronics Export –
St Ouen L'Aumone
Phone: +33-1-3440-7200
Fax: +33-1-3440-7220 or
+33-1-3440-7230

Germany – Bensheim
Phone: +49-6251-133-0
Fax: +49-6251-133-1600
**Product Information Center:
(Technical Support)**
Phone: +49-6251-133-1999
Fax: +49-6251-133-1988

Germany – Langen
Phone: +49-6103-709-0
Fax: +49-6103-709-1223

Germany – Speyer
Phone: +49-6232-30-0
Fax: +49-6232-30-2243

Germany
HTS Division – Neunkirchen
Phone: +49-2247-305-0
Fax: +49-2247-305-122

Great Britain –
Stanmore Middlesex
Phone: +44-208-954-2356
Fax: +44-208-954-6234
**Product Information Center:
(Technical Support)**
Freephone GB: 0800-267-666
Phone: +44-141 810 8968
Fax: +44-141 810 8971
Great Britain – Dorcan, Swindon
Raychem Products
Phone: +44-1793-528171
Fax: +44-1793-572516

Greece – Athens
Phone: +30-1-9370-396/397
Fax: +30-1-9370-655

Hungary – Budapest
Phone: +36-1-289-1000
Fax: +36-1-289-1010

Ireland – Dublin
Phone: +353-1-820-3000
Fax: +353-1-820-9790

Israel – Yokneam
Phone: +972-4-959-0508
Fax: +972-4-959-0506

Italy – Collegno (Torino)
Phone: +39-011-4012-111
Fax: +39-011-4031-116

Lithuania – Vilnius
Phone: +370-5-2131-402
Fax: +370-5-2131-403

Netherlands – 's-Hertogenbosch
Phone: +31-73-624-6246
Fax: +31-73-621-2365
**Product Information Center:
(Technical Support)**
Phone: +31-73-6246-999
Fax: +31-73-6246-998

Norway – Nesbru
Phone: +47-66-77-8899
Fax: +47-66-77-8855

Poland – Warsaw
Phone: +48-22-45-76-700
Fax: +48-22-45-76-720

Romania – Bucharest
Phone: +40-1-311-3479/3596
Fax: +40-1-312-0574

Russia – Moscow
Phone: +7-095-926-5506/07/08/09
Fax: +7-095-926-5505

Russia – St. Petersburg
Phone: +7-812-118-8192
Fax: +7-812-118-8193

Slovakia – Banská Bystrica
Phone: +421-48-415-20-11/12
Fax: +421-48-415-20-13

Slovenia – Ljubljana
Phone: +386-1561-3270
Fax: +386-1561-3240

South Africa – Port Elizabeth
Phone: +27-41-405-4500
Fax: +27-41-486-1314

Spain – Barcelona
Phone: +34-93-291-0330
Fax: +34-93-201-7879

**Product Information Center:
(Technical Support):**
Phone: +34-93-291-0330
Fax: +34-93-200-3779

Sweden – Upplands Väsby
Phone: +46-8-50-72-50-00
Fax: +46-8-50-72-50-01

Switzerland – Steinach
Phone: +41-71-447-0447
Fax: +41-71-447-0444

Turkey – Istanbul
Phone: +90-212-281-8181/2/3
Fax: +90-212-281-8184

Ukraine – Kiev
Phone: +38-044-238-6908
Fax: +38-044-568-5740



Tyco Electronics Corporation
Harrisburg, Pennsylvania
www.tycoelectronics.com