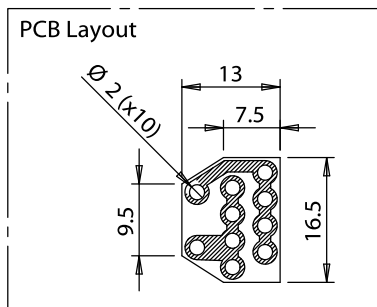
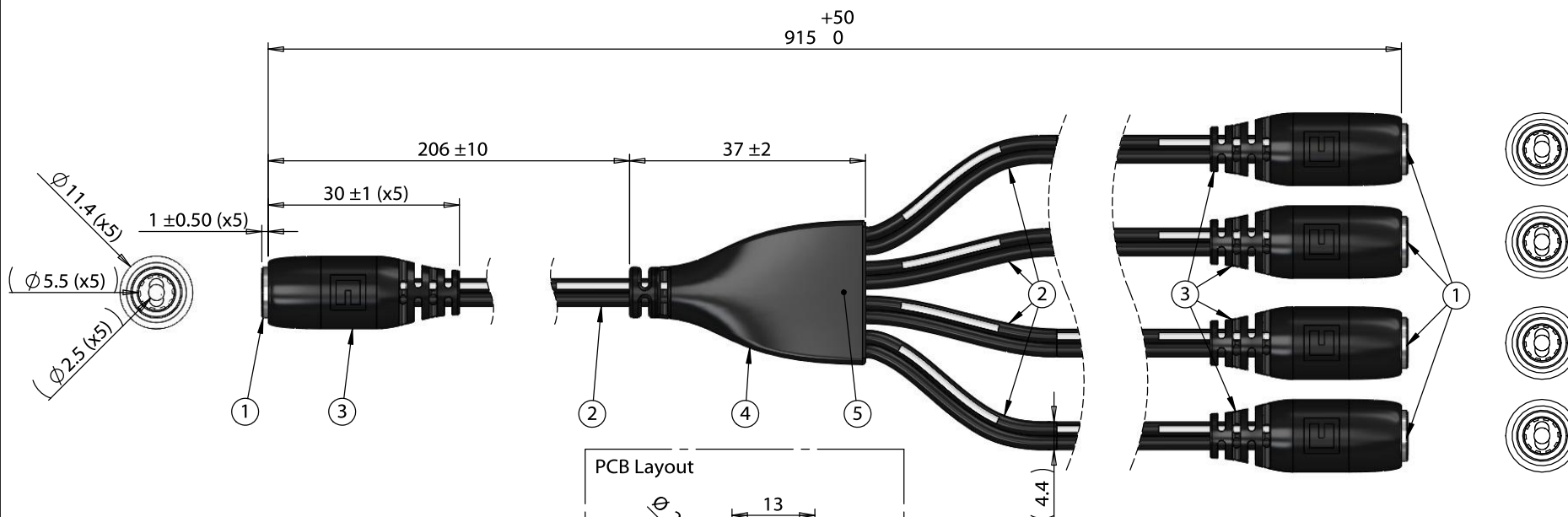


| ITEM NO. | PART NUMBER | DESCRIPTION  | QTY. | COMPONENT NOTES |
|----------|-------------|--|------|-----------------|
| 1        | 50-00027    | Connector, dc jack, 5.5x2.5xL17.4 mm, molding style            | 5    |                 |
| 2        | 30-00007    | Wire, 2C BC, 18 AWG, UL2468, 300V, 80C, 4.4 mm, VW-1, PVC, 87A | 5    |                 |
| 3        | 24-00004    | Overmold, PVC  | 5    | black           |
| 4        | 24-00219    | Overmold, splitter, Ø 8.0 mm by 10.0x22.6 mm                   | 1    | black           |
| 5        | PCB         | Splitter PCB, FR4, two-layer, tin, 13.0x16.5x1.6 mm            | 1    |                 |



| Wiring Diagram |                   |          |
|----------------|-------------------|----------|
| 50-00027       | wire color        | 50-00027 |
| center         | black with stripe | center   |
| sleeve         | black             | sleeve   |

**Notes:**  
Functionally equivalent components may be substituted

|           |           |                 |  |  |   |
|-----------|-----------|-----------------|--|--|---|
| Revision: | Date:     | Description:    | Prepared:  | Notes:   | <h1>TENSILITY</h1>  |
| A         | 4/13/2018 | Initial release | JP<br><small>Digitally signed by JP<br/>Date: 2018.04.13<br/>14:08:00 -07'00'</small>            |  |   |
|           |           |                 | Verified:  | Function test: no open, no short circuit, no intermittent  | tel 1.541.323.3228 800 877.670.7118<br>fax 1.541.323.4202 web tensility.com |
|           |           |                 | Dimensions are in millimeters.<br>Tolerances:<br>X: ± 0.5 mm<br>X.X: ± 0.3 mm<br>X.XX: ± 0.05 mm | Description:<br>Cable, 915 mm, 5.5x2.5 mm 50-00027 dc jack to y-split to 4x 5.5x2.5 mm dc jack, 18 AWG, UL2468 | Size: A<br>Part number: 10-02772  |
|           |           |                 |  |  | Scale: 1:1  Sheet 1 of 1  |

5

4

3

2

1