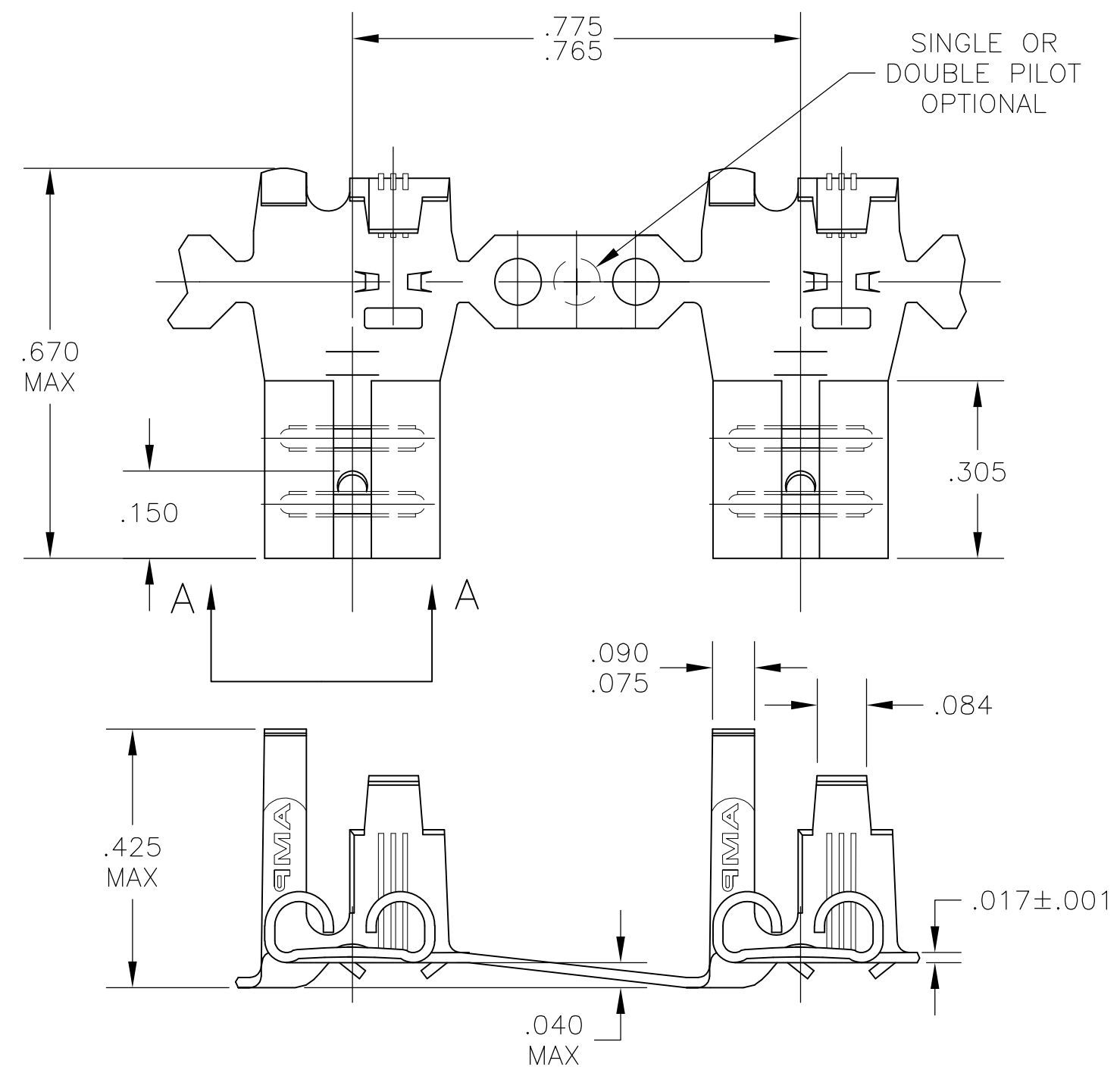
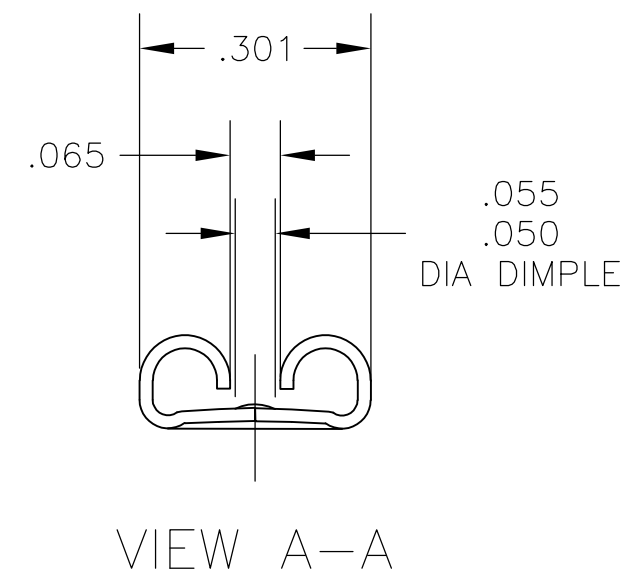


THIS DRAWING IS UNPUBLISHED. RELEASED FOR PUBLICATION
 © COPYRIGHT - By - ALL RIGHTS RESERVED.

LOC	DIST	REVISIONS			
P	LTR	DESCRIPTION	DATE	DWN	APVD
AF	50	C	REVISED PER ECR-12-013518	23NOV2012	KH PD



- 1 CONTINUOUS STRIP ON REELS
- 2 MATING TAB THK IS .032±.001.
- 3 WIRE SIZE IS #18-#12 AWG
- 4 INSULATION RANGE IS .110-.210 DIA.



63517-1
PART NO.

THIS DRAWING IS A CONTROLLED DOCUMENT.		DWN	JR RUTH	15OCT2002	 TE Connectivity	NAME			RESTRICTED TO	
DIMENSIONS: INCHES		CHK	P DESANTIS	16OCT02		RECEPTACLE, FLAG, FASTON, .250 SERIES				
		APVD	P DESANTIS	16OCT02		-				
TOLERANCES UNLESS OTHERWISE SPECIFIED:		PRODUCT SPEC		-						
0 PLC ± - 1 PLC ± - 2 PLC ± - 3 PLC ± .015 4 PLC ± - ANGLES ± -		APPLICATION SPEC		-			SIZE	CAGE CODE	DRAWING NO	RESTRICTED TO
MATERIAL		FINISH		WEIGHT		A3 00779		C-63517	-	
BRASS		TIN		-		CUSTOMER DRAWING		SCALE	SHEET	REV
						4:1		1 OF 1	C	