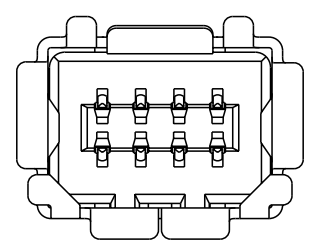
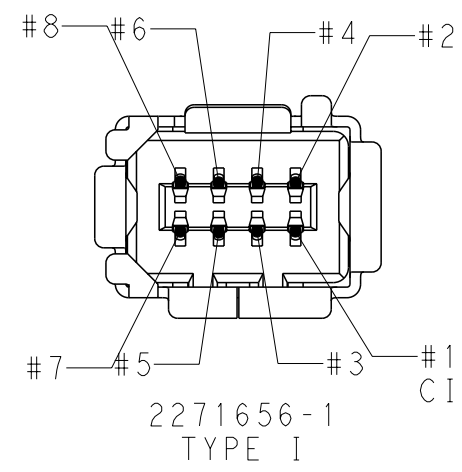
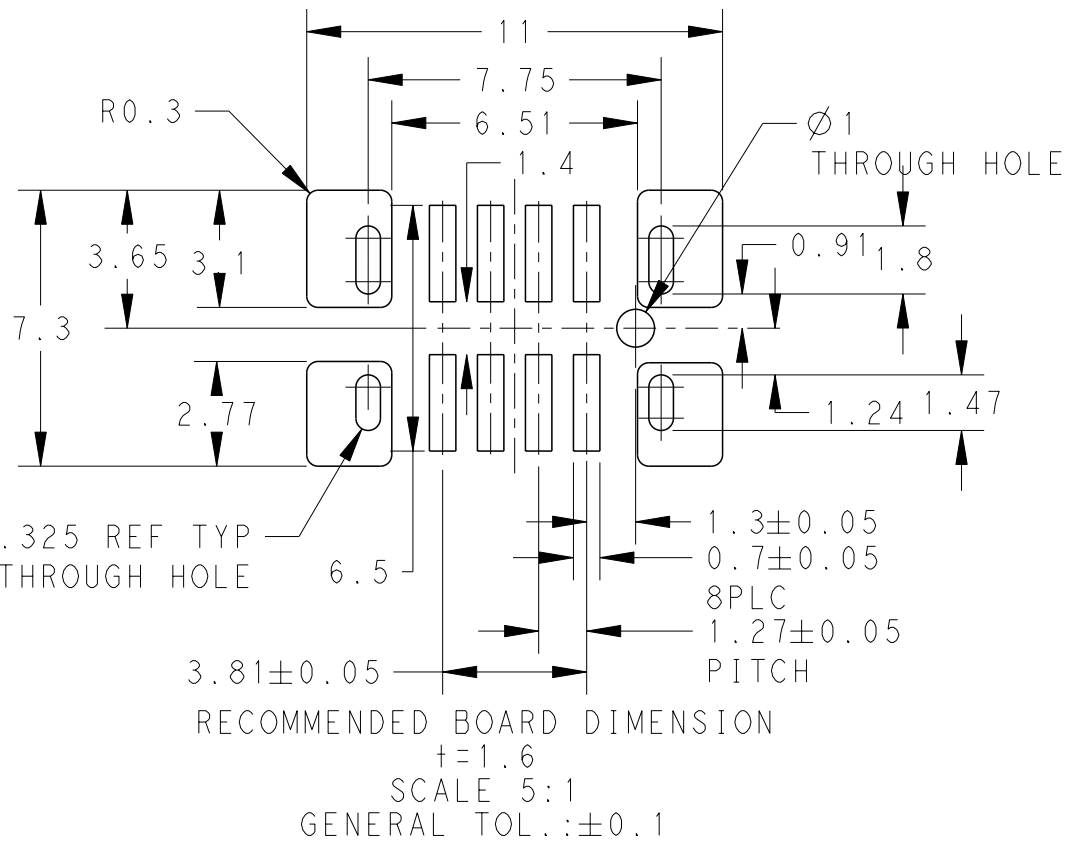
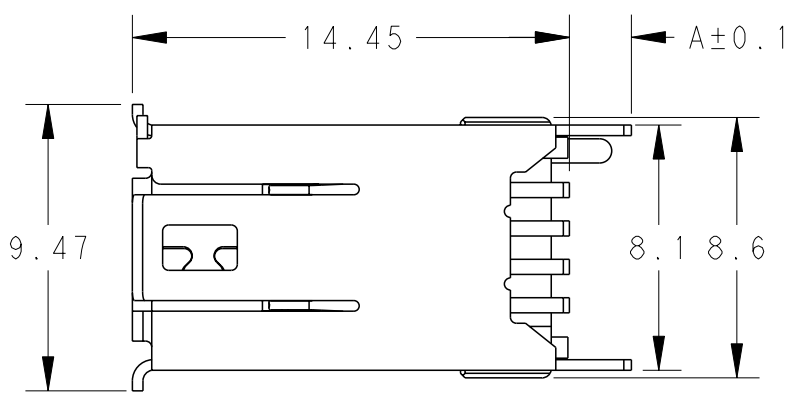


THIS DRAWING IS UNPUBLISHED. RELEASED FOR PUBLICATION
 © COPYRIGHT - BY - ALL RIGHTS RESERVED.

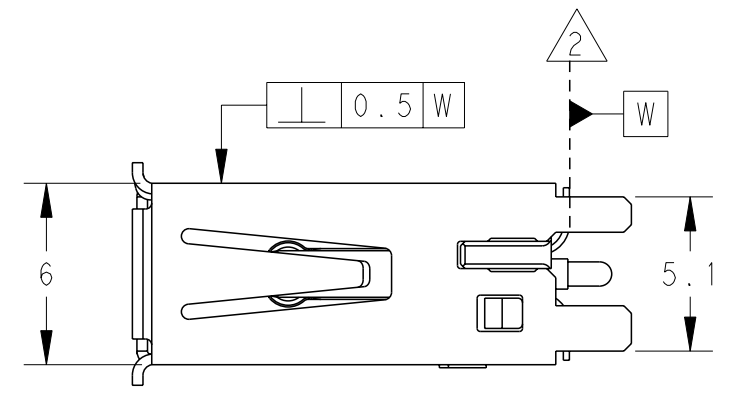
LOC	DIST	REVISIONS			
P	LTR	DESCRIPTION	DATE	DWN	APVD
		C1	ADDED NEW PART VARIANT 3--1 AND 3--2	19OCT2020	SS JDB
		C2	ADDED NEW PART VARIANT 4--1	19MAY2021	SS JDB
		C3	PACKAGING DETAILS CORRECTED FOR 4-2271656-1	14SEP2021	SS JDB
		C4	ECR-22-141699 CORRECT TAPE DIRECTION	08JUN2022	BP TL



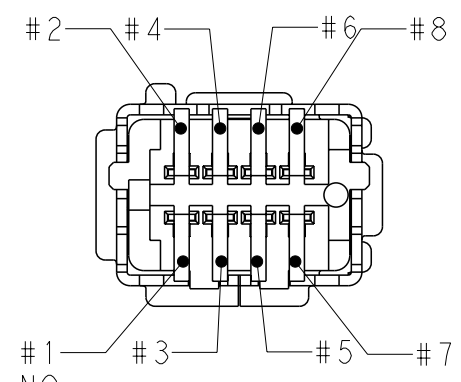
2271656-2
TYPE II



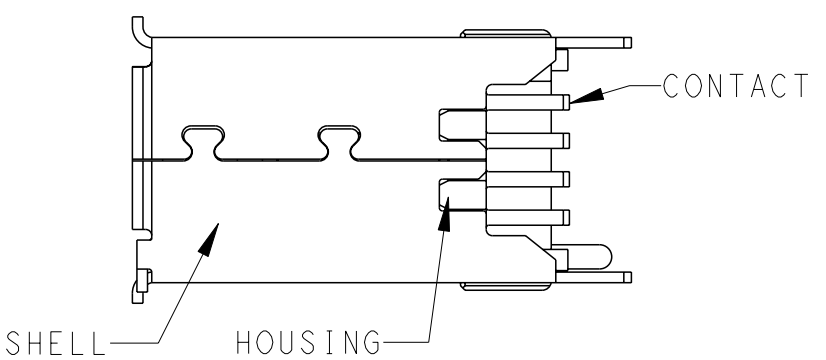
2271656-1
TYPE I



CIRCUIT NO



CIRCUIT NO



DIM "A"	POS	TOP CONTACT AREA	DESCRIPTION	PART NO
1.5	8	GOLD 0.5µm MIN	TYPE I SMT RECEPTACLE WITH CAP ON EMBOSS TAPE	4-2271656-1
2.05	8	GOLD 0.76µm MIN	TYPE II SMT RECEPTACLE WITH EMBOSS TAPE	3-2271656-2
2.05	8	GOLD 0.76µm MIN	TYPE I SMT RECEPTACLE WITH EMBOSS TAPE	3-2271656-1
2.05	8	GOLD 0.5µm MIN	TYPE II SMT RECEPTACLE WITH CAP ON EMBOSS TAPE	2-2271656-2
2.05	8	GOLD 0.5µm MIN	TYPE I SMT RECEPTACLE WITH CAP ON EMBOSS TAPE	2-2271656-1
2.05	8	GOLD 0.5µm MIN	TYPE II SMT RECEPTACLE WITH CAP	1-2271656-2
2.05	8	GOLD 0.5µm MIN	TYPE I SMT RECEPTACLE WITH CAP	1-2271656-1
2.05	8	GOLD 0.5µm MIN	TYPE II SMT RECEPTACLE	2271656-2
2.05	8	GOLD 0.5µm MIN	TYPE I SMT RECEPTACLE	2271656-1

NOTES:
 1 MATERIAL AND FINISH
 CONTACT: COPPER ALLOY
 UNDER ALL SURFACE NICKEL 1.27µm MIN.
 TOP CONTACT AREA: SEE TABLE
 SOLDERING AREA: TIN PLATE
 HOUSING: THERMO PLASTIC(UL94V-0)
 SHELL: COPPER ALLOY
 UNDER ALL SURFACE NICKEL
 TOP ALL SURFACE TIN
 2 COPLANARITY 0.1 MAX (IN 8 TIPS OF CONTACTS)
 DATUM -W- IS THE SEATING PLANE FOR ALL 8 CONTACT LEGS
 3 GENERAL TOL.: ±0.3; ±5°

THIS DRAWING IS A CONTROLLED DOCUMENT.

DIMENSIONS: mm

TOLERANCES UNLESS OTHERWISE SPECIFIED:
 0 PLC ±-
 1 PLC ±-
 2 PLC ±-
 3 PLC ±-
 4 PLC ±-
 ANGLES ±-

MATERIAL: - FINISH: -

DWN: 01DEC2015 LEAR ZHANG
 CHK: 01DEC2015 KOBBY ZHAO
 APVD: 01DEC2015 XU XIANG

PRODUCT SPEC: 108-106087
 APPLICATION SPEC: -

WEIGHT: -

CUSTOMER DRAWING

TE Connectivity

NAME: SMT VERTICAL MINI I/O RECEPTACLE 1.27mm PITCH

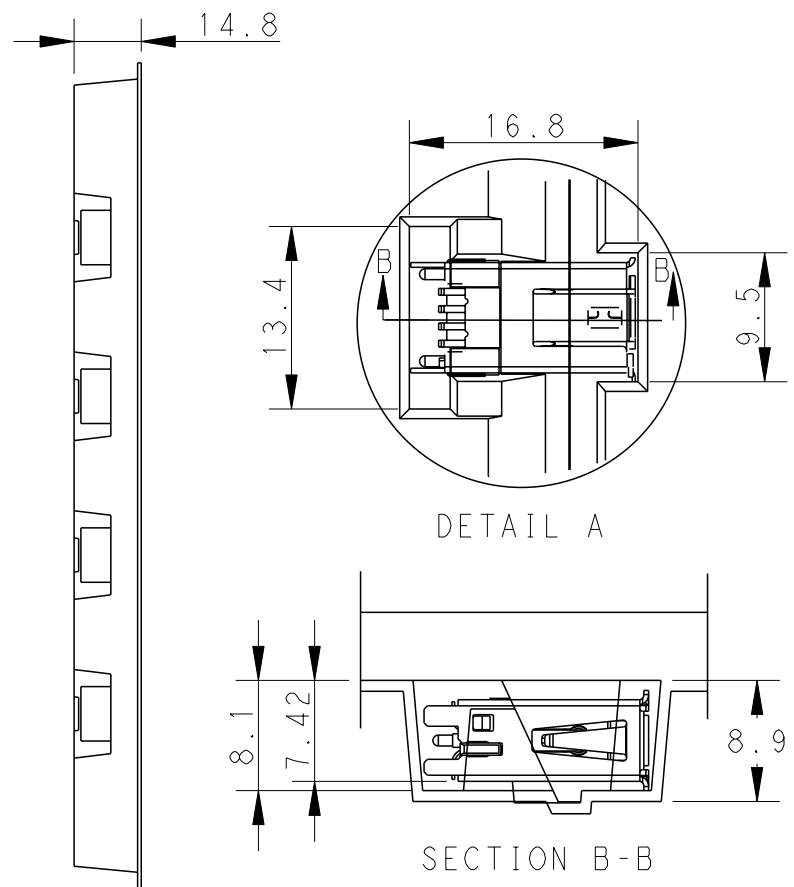
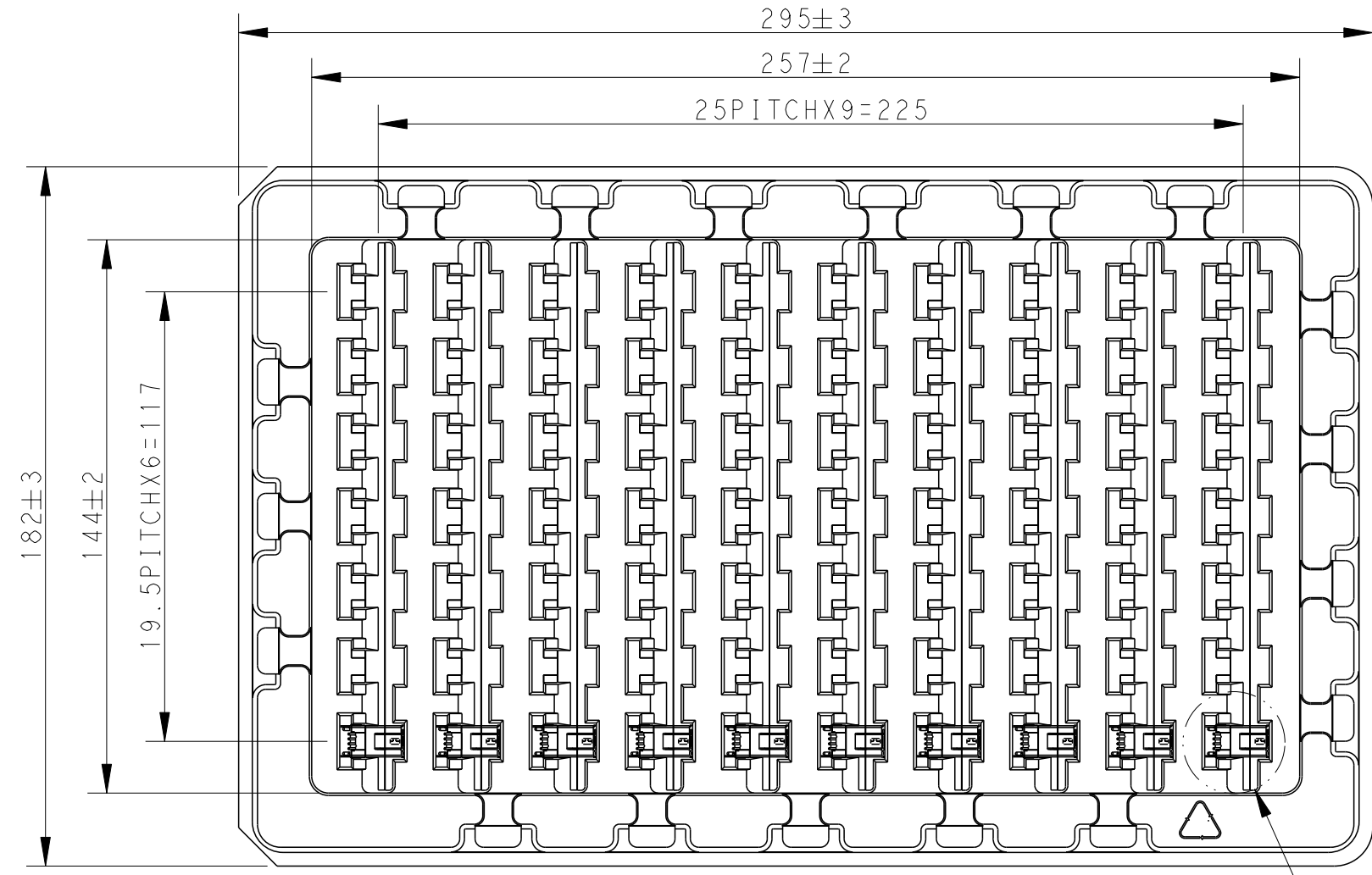
SIZE: A3 CAGE CODE: - DRAWING NO: 2271656 RESTRICTED TO: -

SCALE: 4:1 SHEET: 1 OF 5 REV: C4

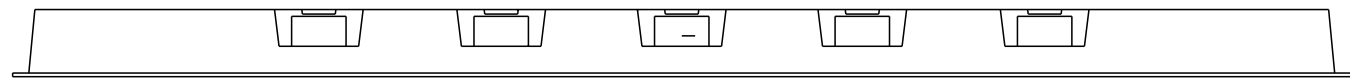
printed on 8 Jun 2022 14:07 (China Standard Time) from TE236673

THIS DRAWING IS UNPUBLISHED. RELEASED FOR PUBLICATION
 © COPYRIGHT - BY - ALL RIGHTS RESERVED.

LOC	DIST	REVISIONS					
		P	LTR	DESCRIPTION	DATE	DWN	APVD
-	-			SEE SHEET 1	-	-	-



SEE DETAIL A



NOTE:
4 PACKAGE:
70PCS PER TRAY FOR 2271656-1, 2271656-2

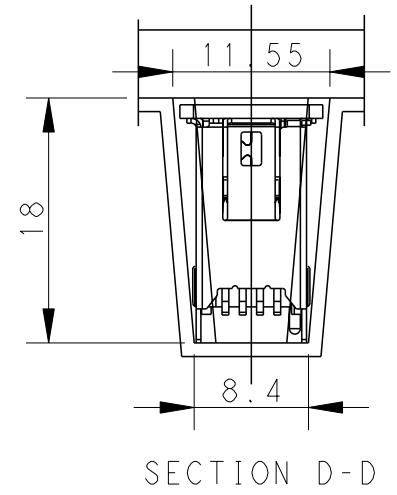
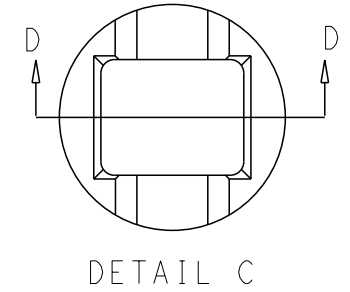
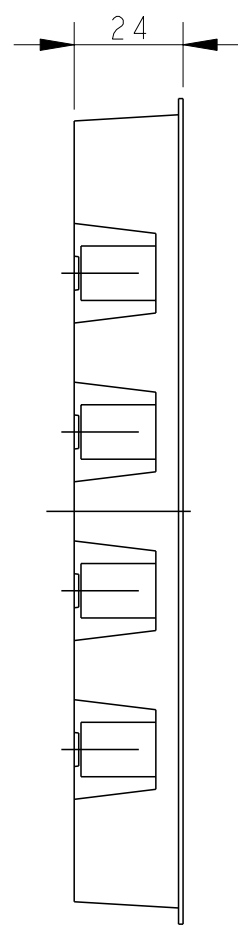
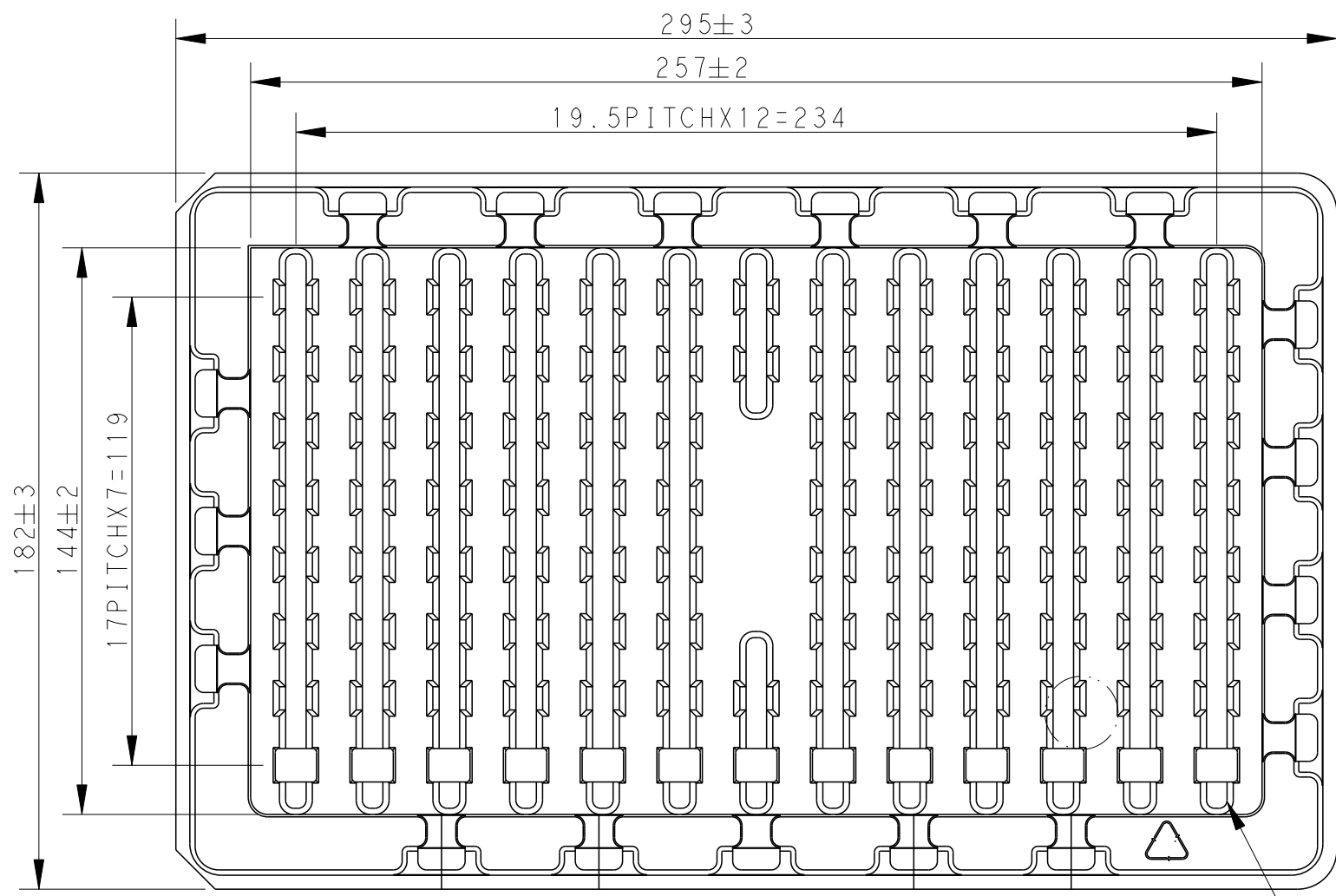
PACKAGE AS SHOWN	2271656-2 2271656-1
DESCRIPTION	PART NO

THIS DRAWING IS A CONTROLLED DOCUMENT.		DWN	01DEC2015	TE Connectivity NAME SMT VERTICAL MINI I/O RECEPTACLE 1.27mm PITCH	RESTRICTED TO
DIMENSIONS: mm		CHK	01DEC2015		
TOLERANCES UNLESS OTHERWISE SPECIFIED:		APVD	01DEC2015		
0 PLC ±- 1 PLC ±- 2 PLC ±- 3 PLC ±- 4 PLC ±- ANGLES ±- MATERIAL - FINISH -		LEAR ZHANG KOBBY ZHAO XU XIANG PRODUCT SPEC 108-106087 APPLICATION SPEC - WEIGHT -	SIZE A3		
		CAGE CODE	-	DRAWING NO	©-2271656
		CUSTOMER DRAWING		SCALE	4:1
				SHEET	2 OF 5
				REV	C4

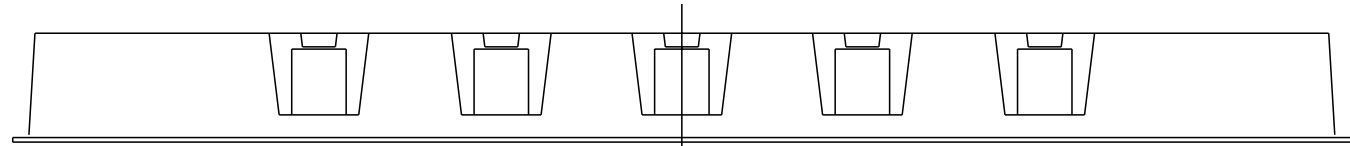
printed on 8 Jun 2022 14:07 (China Standard Time) from TE236673

THIS DRAWING IS UNPUBLISHED. RELEASED FOR PUBLICATION
 © COPYRIGHT - BY - ALL RIGHTS RESERVED.

LOC	DIST	REVISIONS			
P	LTR	DESCRIPTION	DATE	DWN	APVD
-	-	SEE SHEET 1	-	-	-



SEE DETAIL C



NOTE:
5 PACKAGE:
100PCS PER TRAY FOR 1-2271656-1 & 1-2271656-2

PACKAGE AS SHOWN	1-2271656-2 1-2271656-1
DESCRIPTION	PART NO

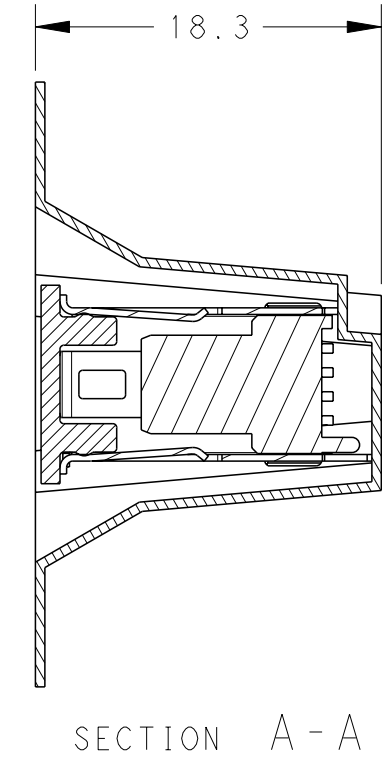
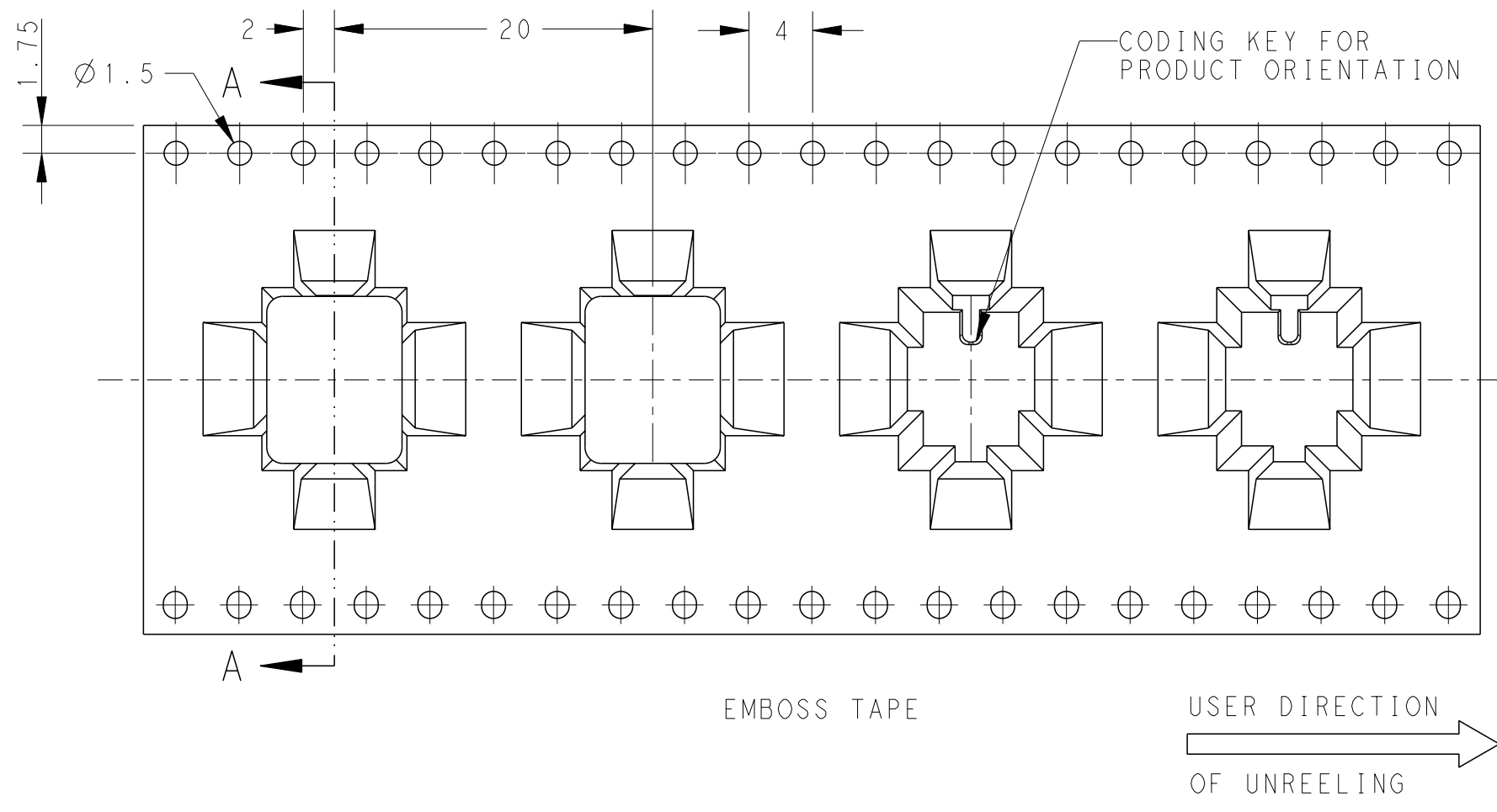
THIS DRAWING IS A CONTROLLED DOCUMENT.		DWN	01DEC2015
DIMENSIONS: mm		LEAR ZHANG	
TOLERANCES UNLESS OTHERWISE SPECIFIED:		CHK	01DEC2015
 0 PLC ±- 1 PLC ±- 2 PLC ±- 3 PLC ±- 4 PLC ±- ANGLES ±- MATERIAL - FINISH -	APVD	01DEC2015	
	PRODUCT SPEC	XU XIANG	
	APPLICATION SPEC	108-106087	
	WEIGHT	-	
	CUSTOMER DRAWING		

		NAME	
		SMT VERTICAL MINI I/O RECEPTACLE 1.27mm PITCH	
SIZE	CAGE CODE	DRAWING NO	RESTRICTED TO
A3	-	©-2271656	-
SCALE 4:1		SHEET 3 OF 5	REV C4

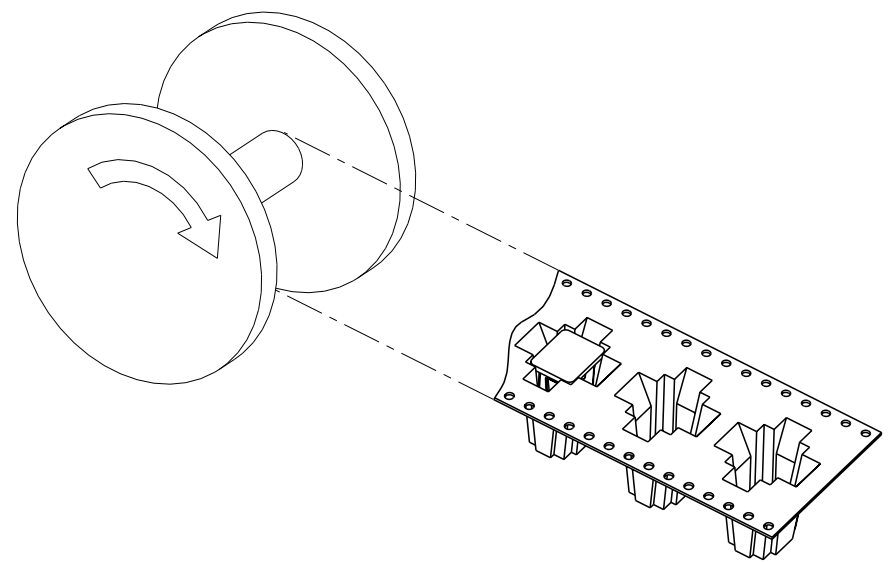
printed on 8 Jun 2022 14:07 (China Standard Time) from TE236673

THIS DRAWING IS UNPUBLISHED. RELEASED FOR PUBLICATION
 © COPYRIGHT - BY - ALL RIGHTS RESERVED.

LOC	DIST	REVISIONS			
P	LTR	DESCRIPTION	DATE	DWN	APVD
-	-	SEE SHEET 1	-	-	-



NOTE:
 6 PACKAGE:
 200PCS PER REEL FOR 2-2271656-1, 2-2271656-2,
 3-2271656-1 & 3-2271656-2



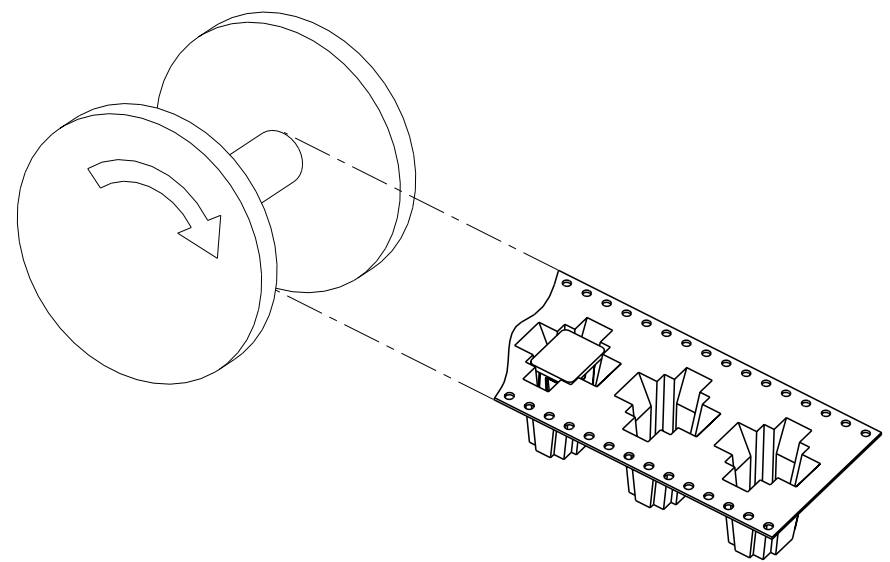
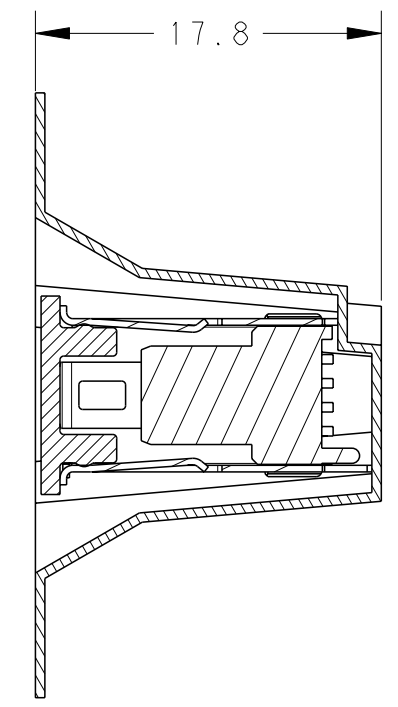
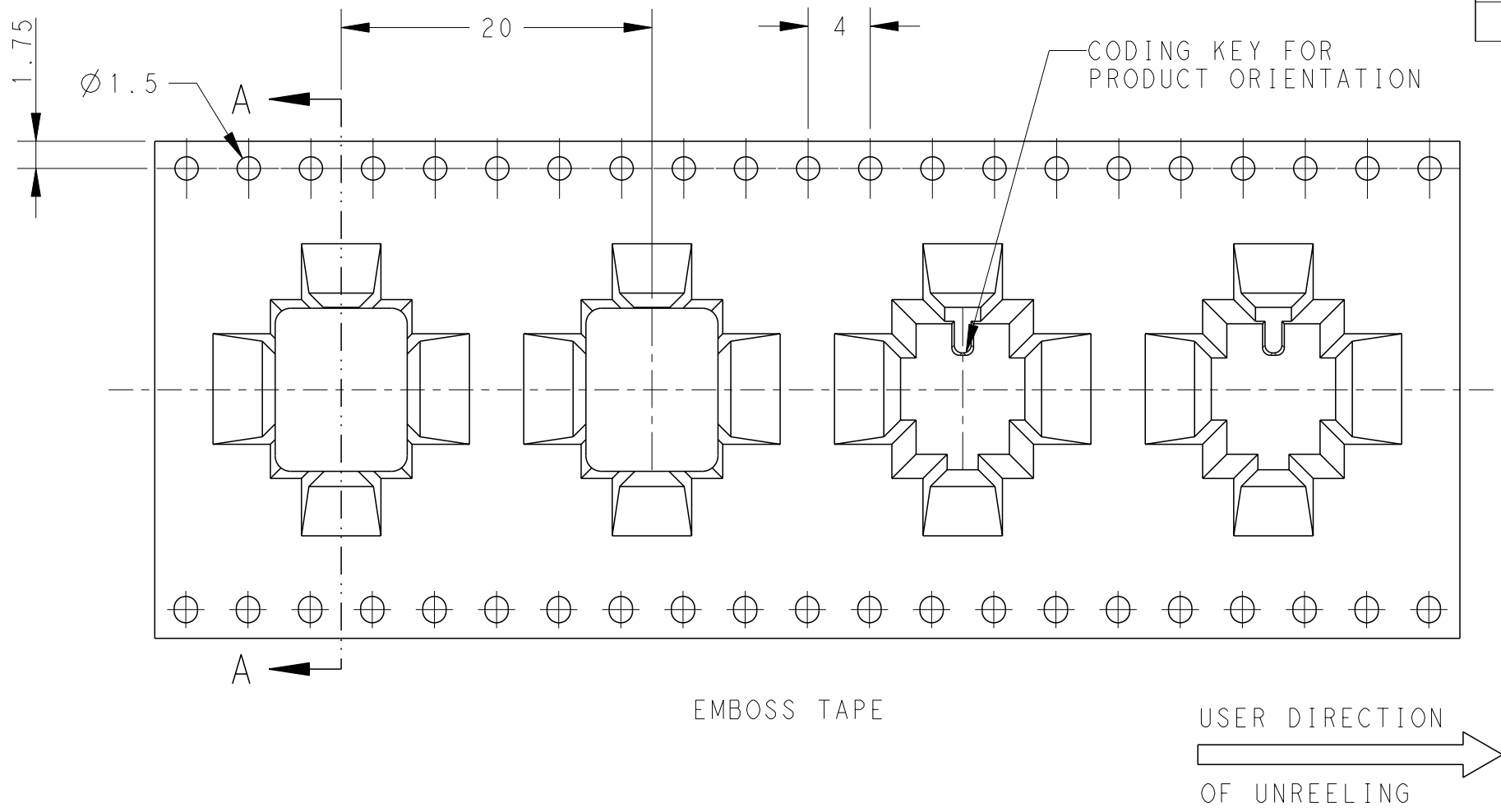
PACKAGE AS SHOWN	3-2271656-2
	3-2271656-1
	2-2271656-2
	2-2271656-1
DESCRIPTION	PART NO

THIS DRAWING IS A CONTROLLED DOCUMENT.		DWN	01DEC2015	 TE Connectivity	NAME SMT VERTICAL MINI I/O RECEPTACLE 1.27mm PITCH
DIMENSIONS: mm		CHK	01DEC2015		
		APVD	01DEC2015		
TOLERANCES UNLESS OTHERWISE SPECIFIED:		PRODUCT SPEC	108-106087		
MATERIAL	FINISH	APPLICATION SPEC	-	SIZE	A3
		WEIGHT	-	CAGE CODE	-
		CUSTOMER DRAWING		DRAWING NO	C-2271656
				RESTRICTED TO	-
				SCALE	4:1
				SHEET	4 OF 5
				REV	C4

printed on 8 Jun 2022 14:07 (China Standard Time) from TE236673

THIS DRAWING IS UNPUBLISHED. RELEASED FOR PUBLICATION
 © COPYRIGHT - BY - ALL RIGHTS RESERVED.

LOC	DIST	REVISIONS			
P	LTR	DESCRIPTION	DATE	DWN	APVD
-	-	SEE SHEET 1	-	-	-



NOTE:
 7 PACKAGE:
 230PCS PER REEL FOR 4-2271656-1

PACKAGE AS SHOWN	4-2271656-1
DESCRIPTION	PART NO

THIS DRAWING IS A CONTROLLED DOCUMENT.		DWN	01DEC2015	TE Connectivity NAME SMT VERTICAL MINI I/O RECEPTACLE 1.27mm PITCH	
DIMENSIONS: mm		CHK	01DEC2015		
		APVD	01DEC2015		
TOLERANCES UNLESS OTHERWISE SPECIFIED: 0 PLC ±- 1 PLC ±- 2 PLC ±- 3 PLC ±- 4 PLC ±- ANGLES ±-		PRODUCT SPEC	108-106087		
MATERIAL	-	FINISH	-	APPLICATION SPEC	-
		WEIGHT	-	SIZE	A3
		CUSTOMER DRAWING		CAGE CODE	-
				DRAWING NO	①-2271656
				RESTRICTED TO	-
				SCALE	4:1
				SHEET	5 OF 5
				REV	C4

printed on 8 Jun 2022 14:07 (China Standard Time) from TE236673