

CTSLF0645TF Series

From 2.2µH to 15µH



CHARACTERISTICS

- Description:** SMD (shielded) power inductor.
- Applications:** LCD-TVs, PDP-TVs, LCD displays, DVD recorders, HDDs, DSCs, etc.
- Operating Temperature:** -40°C to 125°C (including self - temp. rise)
- Inductance Tolerance:** M = ±20%, N = +40%, -20%
- Testing:** Inductance is tested on a HP4284A at 100kHz, 1V
- Isat:** Inductance drop = 10% typical.
- Packaging:** Tape & Reel.
- Marking:** Parts are marked with inductance code.
- Miscellaneous:** **RoHS Compliant.**
- Additional Information:** Additional electrical & physical information available upon request.
- Samples available. See website for ordering information.**

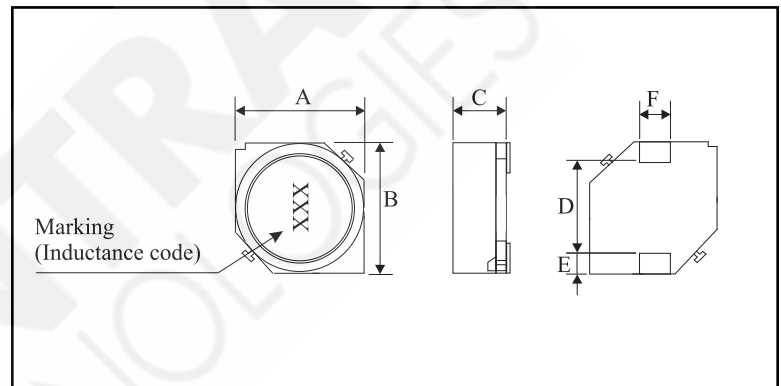
SPECIFICATIONS

Please specify tolerance code when ordering.
CTSLF0645TF-2R2_ ← M = ±20%, N = +40%, -20%

Part Number	Inductance (µH)	L Test Freq. (kHz)	DCR (mΩ)	Isat Typ. (A)
CTSLF0645TF-2R2_	2.2	100	18±30%	3.3
CTSLF0645TF-3R3_	3.3	100	26±30%	2.8
CTSLF0645TF-4R7_	4.7	100	26.5±30%	2.0
CTSLF0645TF-100_	10	100	39±20%	1.6
CTSLF0645TF-150_	15	100	50±20%	1.3

PHYSICAL DIMENSIONS

Size	A	B	C	D Typ.	E	F Typ.
mm	6.0±0.2	6.0±0.2	4.5±0.3	1.5	2.0±0.10	3.0
inches	0.236±0.008	0.236±0.008	0.177±0.012	0.059	0.079±0.004	0.118



PAD LAYOUT

