


## HC-SMR-B24

Order No.: 1687985

The illustration shows version HC-SMR- B 6

<http://eshop.phoenixcontact.de/phoenix/treeViewClick.do?UID=1687985>HEAVYCON connector assembly frame, for contact inserts of type  
B24

### Commercial data

GTIN (EAN)	
sales group	D022
Pack	1 pcs.
Customs tariff	85389099
Catalog page information	Page 538 (PC-2009)

### Product notes

WEEE/RoHS-compliant since:  
07/05/2006

<http://www.download.phoenixcontact.com>  
Please note that the data given here has been taken from the online catalog. For comprehensive information and data, please refer to the user documentation. The General Terms and Conditions of Use apply to Internet downloads.

### Technical data

#### General data

Note	For contact inserts B24, BB48, DD108 and HV10; swiveling frame
Material	PA
Inflammability class acc. to UL 94	HB
Design	B24

### Certificates / Approvals



Certification

GOST

### Accessories

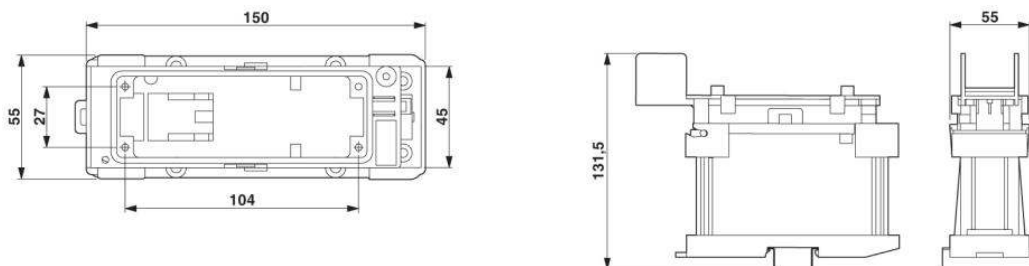
Item	Designation	Description
------	-------------	-------------

#### Marking

Item	Designation	Description
5031171	SS-ZB WH	Marking labels, unprinted, 5-section, for snapping into devices and components with special marker groove, labeling with M PEN or CMS system, lettering field size: 20 x 8 mm, white, for SAB boxes

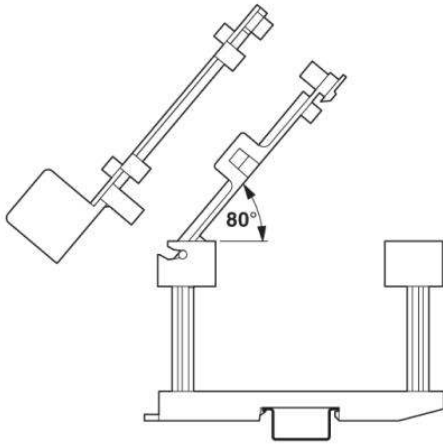
### Diagrams/Drawings

Dimensioned drawing



Schematic diagram

---



**Address**

PHOENIX CONTACT Inc., USA  
586 Fulling Mill Road  
Middletown, PA 17057, USA  
Phone (800) 888-7388  
Fax (717) 944-1625  
<http://www.phoenixcon.com>



© 2010 Phoenix Contact  
Technical modifications reserved;